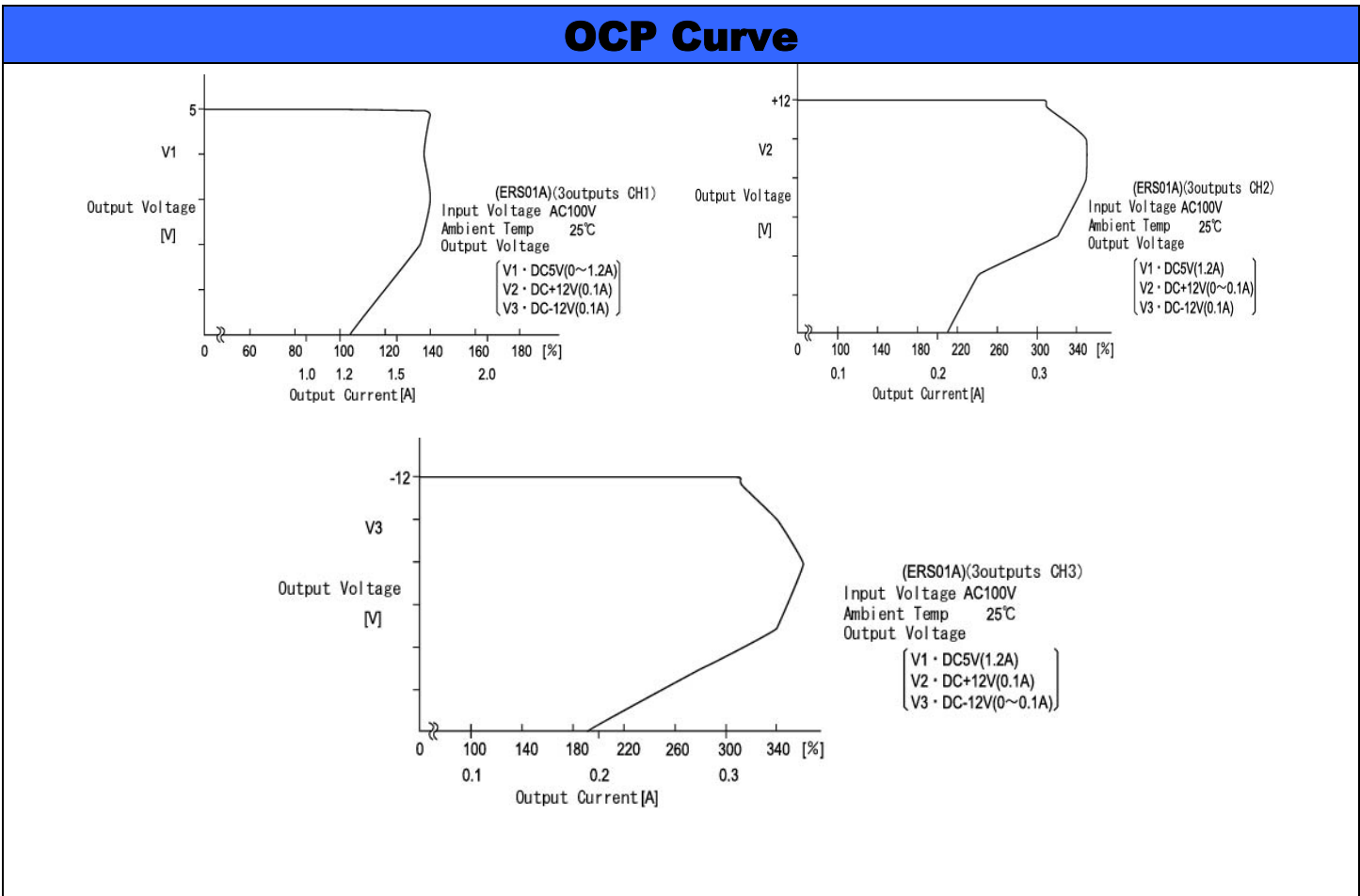
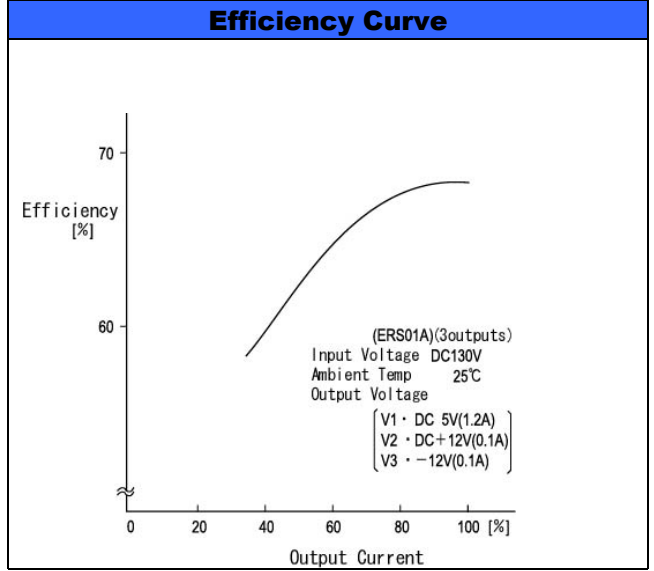
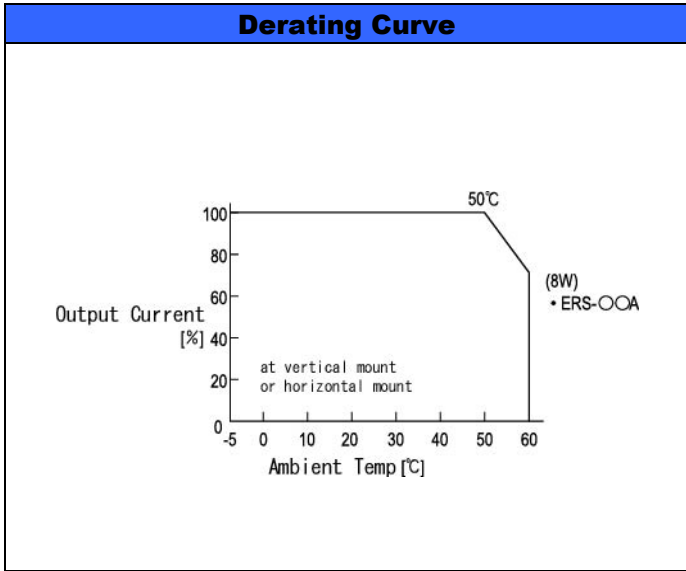


8 WATT AC-DC CONVERTER ERS-00A SERIES

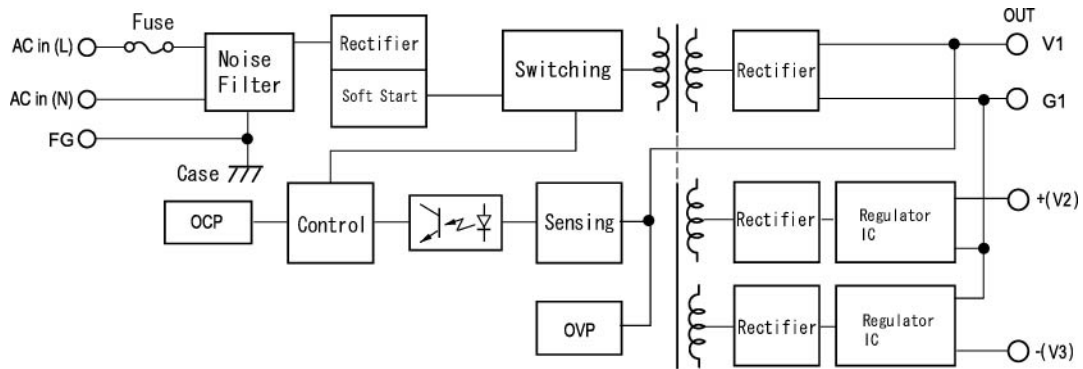
Specifications<AC/DC>	Model								
ERS**A 8WATTS/3OUTPUTS	ERS01A			ERS03A			ERS04A		
Input Voltage	AC100V(DC130V)								
Input Range	AC85-132V(DC110-175V)								
Input Frequency	50/60Hz								
Input Frequency Range	47-440Hz								
Phase	Single								
Inrush Current *1	25A(maximum)at AC100V								
Efficiency [%] (typical) *2	67			67			70		
Output Characteristic									
Output Voltage [V]	5	+12	-12	5	+12	-5	5	+15	-15
Output Current [A]	1.2	0.1	0.1	1.2	0.1	0.1	1.2	0.1	0.1
Voltage Adjust Range	V1:+3%/-0% of Rated Output Voltage(at no load within the input range) V2:fixed with tolerance of +/-3.5% (at no load within the input range)								
Ripple and Noise [mVp-p](maximum) *3	100	170	170	100	170	100	100	200	200
Regulation									
a.Statistic Line Regulation [mV](maximum)	25	60	60	25	60	25	25	75	75
b.Statistic Load Regulation [mV](maximum)	50	120	120	50	120	50	50	150	150
c.Temperature Coefficient *4	0.03%/°C								
d.Drift[mV](maximum) *5	40	75	75	40	75	40	40	90	90
e.Dynamic Load Regulation [mV](typical) *6	not specified								
f.Recovery Time *6	not specified								
Rise up time	200mS(maximum) at 25°C and rated input/output								
Hold up time	20mS(minimum) at 25°C and rated input/output								
Functions									
Overcurrent Protection $\geq 110\%$ of Rated Output Current[A]	V1:Current Limiting with automatic recovery V2,V3:by the regulator I.C's characteristics								
Rated Output Current[A]	1.32	-	-	1.32	-	-	1.32	-	-
Overvoltage Protection $\geq 115\%$ of Rated Output Voltage[V]	V1:Zener diode clamping V2,V3:not available								
Output Voltage[V]	5.75	-	-	5.75	-	-	5.75	-	-
Remote Sense	not available								
Remote On/Off	not available								
Environmental									
Operating Temperature	-5 to +50°C								
Operating Humidity	85%RH(non-condensing)								
Storage Temperature	-20 to +85°C								
Storage Humidity	85%RH(non-condensing)								
Withstanding Voltage	Primary-Secondary AC1,500V for 1minute Primary-Frame Ground AC1,500V for 1minute Secondary-Frame Ground AC500V for 1minute								
Isolation Resistance	Primary-Secondary-Frame Ground 50MΩ(minimum) by DC500V insulation tester								
Vibration	5-10Hz:10mm double amplitude,10-55Hz:19.6m/s ² ,20minutes' period for 60minutes each along X,Y,Z axes(non-operating)								
Shock	294m/s ²								
Cooling	Convection								
? Leakage Current	1mA(maximum) at 25°C, rated input/output and rated input frequency								
? Line Conducted Noise	Built to meet FCC Part15-B Class B								
? Safety									
? Weight (typical)	130g								
? MTBF [H]	850,000								
? Switching Frequency[kHz](typical) *7	30	30	30	30	30	30	30	30	30

Conditions:

- *1 at cold start
- *2 at DC130V input and rated output
- *3 measured by a bayonet probe at output connector at 0 to 100MHz bandwidth
- *4 at -5 to +50°C
- *5 for 7hour period after 1hour warm-up at 25°C and rated input/output
- *6 when output current changed from 25% to 75% of rated output current rapidly at AC100V input
- *7 variable on input voltage and load conditions



Block Diagram



Dimension Diagram

