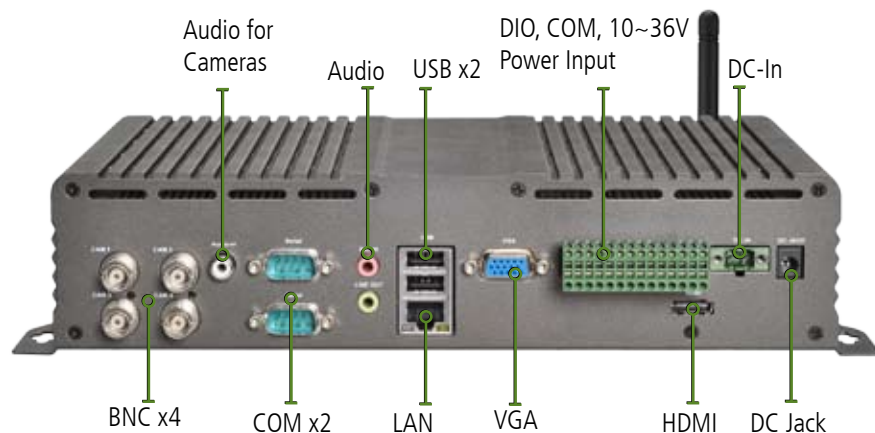


# LEC-5520

## Mobile IPC with Intel® Atom™ N270



### Features

#### Integrated SIM card reader

Integrated in a mini-PCIe slot, the SIM card readers allow for users to enable 3G use for their IPC.

#### Intel® Atom™ N270

Single core Intel Atom N270 features 1.6GHz clock speed and a 512KB cache. It utilizes 2.5W of power.

#### Fanless

This IPC's lifespan has been extended by removing the most easily damaged component, the fan.

#### 4 Channel D1 Encode

Supports 4 channels of NTSC of PAL video, each channel compresses a single D1 video stream to H.264 in real-time.

#### H.264 AVC Hardware Encode

Onboard hardware based H.264 encoder to automatically transcode video stream into smaller video files.

#### 4 Alarm Relay, 2 Relay Output

Support 4 alarm inputs which can be programmed to read signals from different sensors. 2 relay outputs and 1 RS-485 signal for device control.

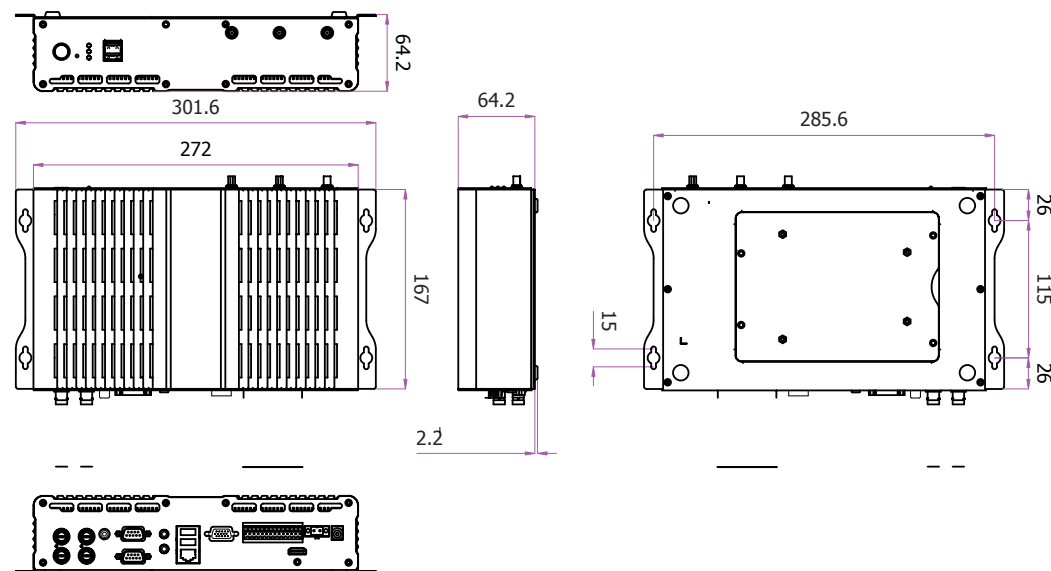
#### Mini-PCI Expansion Slot

This product features a Mini-PCI slot to allow customers to customize this appliance to different applications.

#### Dust proof design

Solid chassis design with a fanless interior allows for this product to be completely dustproof when installed correctly, insuring longevity of the product.

### Dimensions (301.6x64.2x167mm / 11.87"x2.53"x 6.57")



## Specifications

<b>Dimensions (WxHxD)</b>		301.6x64.2x167mm (11.87"x2.53"x6.57")	
<b>Processor</b>		Intel Atom N270 1.6GHz	
<b>Chipset</b>		Intel 945GSE + ICH7M	
<b>System Memory</b>	Technology	1GB DDR2 onboard	
	Max. Capacity	Up to 2GB (manufacturer option)	
<b>Storage</b>	IDE	CF socket Type I/II x1	
	SATA	2.5" SSD/HDD drive bay x1	
<b>Video Capture</b>	Capture Card	STRETCH SDK for Windows and Linux Demo AP: DVRCP for Windows and Linux	
	<b>Ethernet Controller</b>	Realtek ALC888	
<b>Graphic Controller</b>		Intel GMA950	
<b>Audio Controller</b>		Realtek ALC888	
<b>IO</b>	LAN	GbE RJ45 x2	
	Display	DB15 x1 for VGA	
	Video Grabber		STRETCH S6100 BNC x4 for 4x Channel Video Input with MPEG4 AVC / H.264 Baseline Profile compression, resolution up to D1 frame rate- NTSC: 120FPS; PAL:100FPS RCA x1 for 1x Channel Audio Input with G.711 compression
		Audio	Phone Jack x2 for Mic-In and Line-Out
	Serial I/O		DB9 Male x2 for RS-232 x2
			Internal Pin-header for RS-232 x2
	GPS	Holux GR89 GPS receiver (NEMA-0183)	
	Multi I/O	2x14-pin terminal block for power-input, RS x485 x1 (PTZ control), Alarm Input x4 and Relay Output x2.	
	USB 2.0	Type A x4	
	Power Input	Terminal Block 2-pin and DC Jack x1	
	Expansion		Mini-PCIe x1(USB signals) with SIM card reader
			Mini-PCI x1
	Others		External: Power-on button, 3x SMA antenna hole, reset, +12V dc output
			Internal: +12Vdc output
	<b>Power Input AC Adapter</b>		+10~36VDC, ATX mode 60W +12V @ 5A
<b>Hardware Monitor</b>		Winbond W83627UHG integrated Watchdog Timer 1~255 level	
<b>OS Support</b>		Linux, XPE/WES2009, XP Pro FES	
<b>Certifications</b>		CE, FCC Class A	
<b>Compliance</b>		Climatic: EN-50155 Class T1, Mechanical: EN-61373, Electronical: ISO-7637-2	
<b>Operating Temperature Range</b>	With Industrial Components	0~45°C / 32~113°F	
	With Commercial Components	0~45°C / 32~113°F	

## Ordering Information

LEC-5520	4 Channel H.264 full D1 mobile video barebone system with GPS built-in. Add on 3G/WiFi carrier board to support 3G/WiFi optional module. Intel Atom N270 1.6GHz CPU, 1GB DDR2 memory onboard. DIO comes with 4 Alarm Input and 2 Relay output.
----------	--

## Accessories

<b>080W141501501</b>	SATA Cable w/ Power 15cm
<b>080W170701201</b>	SATA Cable w/ Power 12cm
<b>080W0Q0001501</b>	15cm Internal Antenna Cable for GPS
<b>080W2Q0030001</b>	External GPS Antenna Cable
<b>0P0W060120002</b>	60W, 12V DC Out, Terminal Block Adapter
<b>04AW20281Z101</b>	For 2x14-pin Multi-I/O Terminal Block



## Optional Accessories

<b>3G Module</b>	<b>0TAWMC8790Z01</b>	Sierra MC8790
<b>Wi-Fi Module</b>	<b>0TAWQ802XKZ02</b>	802.11 b/g/n Mini-PCIe card

