

BBS-2018-G

Fanless, Box PC with V4 Eden, 4 COM, 5 USB, 40W P/S

Bare Bone



Features

- » Fanless, box PC design
- » VIA V4 Eden processor
- » VGA, DVI, dual Ethernet, Video Out, Audio Out port
- » 1 x 2.5" HDD space
- » 1 x CF socket
- » 4 x COM port, 5 x USB2.0 port
- » 40W power supply
- » Option for Wireless LAN module

System

SBC

HS-2615

CPU

VIA V4 Eden processor 1GHz

System Chipset

VIA CX700(M)

System Memory

1 x 200-pin SO-DIMM, DDR2 533MHz, Max. 1GB

Display Interface:

- 1 x D-SUB 15-pin
- 1 x DVI
- 1 x Video Out port

Audio Interface

2 x Audio Out port

Ethernet Interface

- 2 x RJ-45 for Ethernet
- 1 x USB wireless LAN module (option)

Storage

- 1 x 2.5" HDD space
- 1 x Type II CF socket

Watchdog Timer

Software programmable time-out intervals from 1~255 sec. or 1~255 min.

H/W Status Monitor

Monitoring temperatures, voltages status

Power

40W power supply

Operating/Storage Temperature

0~45°C/-20~+70°C

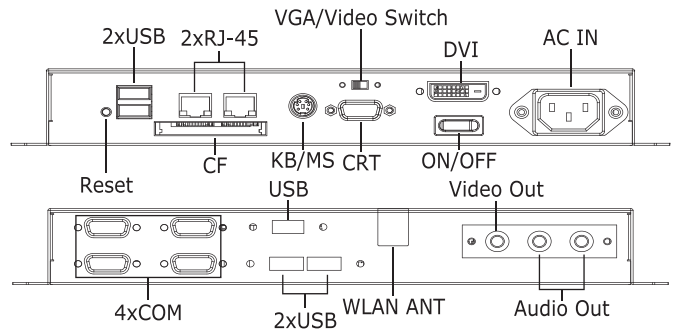
Certification

FCC/CE Class A compliance

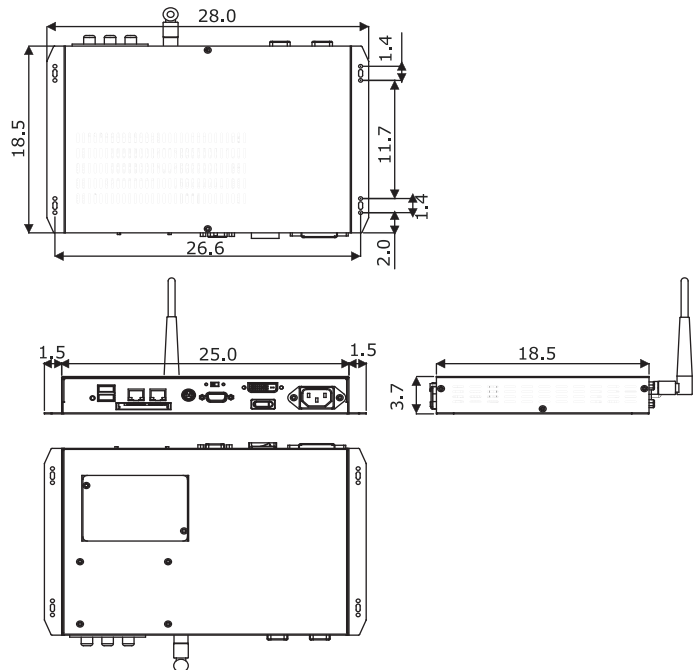
Dimensions

28.0(L) x 3.7(H) x 18.5(W) cm

I/O Interface



Dimensions (unit:cm)



Ordering Information

BBS-2018-G

Fanless, Box PC w/Eden 1GHz CPU, 4 COM, 5 USB, 40W P/S

Accessory Options

Memory Module, CF Module, Wireless LAN Module, 2.5" HDD