

GMX digi Series 24 Hour, 7 Day

C.E.C. CERTIFIED
TITLE 24, PART 6
ON ALL DIGI 42 MODELS



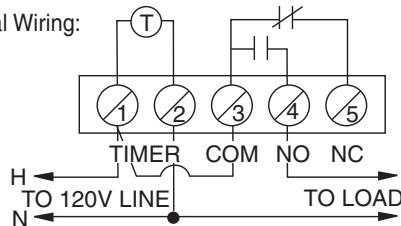
File #E83486

The GMX Digi Series is a universal electronic time switch mounted in a NEMA indoor or outdoor enclosure. They are a low cost alternative for applications that do not require more than 16A. Intended for control of lighting, heating, air conditioning, pumps, motors, or other purpose general electrical circuits in residential, commercial, industrial and agricultural facilities.

Features

- A low cost alternative for applications that require only 16A switching
- 24 hour or 7 day programming with accuracy to the second
- Easy programming; minimal keys and programming steps
- Selectable blocks of weekdays or weekends for quick programming
- Rechargeable battery backup with 1-4 weeks reserve carry-over
- Manual override provides for either temporary or continuous ON or OFF state
- Replaces Intermatic, Tork, and Paragon time switches
- Indoor or outdoor enclosure
- Optional clear cover allows viewing timer display without opening cover
- GMX digi 42 models have holiday program and automatic daylight time changeover

GMX Digi Typical Wiring:



SPECIFICATIONS

SPDT Switch Rating:

16A Resistive @ 250VAC

1000W Tungsten @ 250VAC

Shortest Switching Time: 1 minute

Environmental Ratings:

Operating Temperature Range:

-20°F to 140°F

Operating Humidity: 0 to 95% non-condensing

Wiring Connections:

Screw terminals for up to #12AWG wire

Enclosures:

Indoor: Plastic, gray, NEMA 1 or metal, gray, NEMA 1

Outdoor: Plastic, gray, NEMA 3R raintight

SPECIFIERS GUIDE

Furnish and install a Grasslin GMX digi ____ 120 (24, 240, 277) volt electronic time switch. This one (two) channel control shall have 24 hour and 7 day programming and include block programs for different weekday schedules. The LCD shall display time of day in AM/PM format and provide load status indication. A daylight time adjustment key shall also be provided. The time switch will be programmable to the minute and also offer a manual override for ON or OFF to the next scheduled event or for permanent ON/AUTO/OFF. The SPDT relay output will be rated for 16A @ 240VAC. Carry-over shall be provided for a minimum of 7 days with a built-in rechargeable NiCad battery which need not be replaced. Enclosure to be NEMA 1 (NEMA 3R raintight).

ORDERING DATA

Enclosure Options, Substitute the Following for "X":

"I" = NEMA 1 Indoor Enclosure, "IC" = NEMA 1 Indoor Enclosure with Clear Cover,

"O" = NEMA 3R Outdoor Enclosure, "OC" = NEMA 3R Outdoor Enclosure with Clear Cover,

"IM" = NEMA 1 Indoor Metal Enclosure

Model Code	Timer Voltage	Prog.	Switch	Amps	Model Code	Timer Voltage	Prog.	Switch	Amps
Note: 6V & 12VDC Models Available									
GMXdigi20-"X"-120	120V 50/60Hz	20	SPDT	16	Two Channel				
GMXdigi20-"X"-240	208/240V 50/60Hz	20	SPDT	16	GMX2digi42-"X"-120	120V 50/60Hz	42	(2) SPDT	16
GMXdigi20-"X"-24	24V 50/60Hz	20	SPDT	16	GMX2digi42-"X"-240	208/240V 50/60Hz	42	(2) SPDT	16
GMXdigi20-"X"-277	277V 50/60Hz	20	SPDT	16	GMX2digi42-"X"-24	24V 50/60Hz	42	(2) SPDT	16
GMXdigi42-"X"-120	120V 50/60Hz†	42	SPDT	16					
GMXdigi42-"X"-240	208/240V 50/60Hz†	42	SPDT	16					
GMXdigi42-"X"-24	24V 50/60Hz†	42	SPDT	16					

ELECTRONIC TIME CONTROLS, 1 CHANNEL



Digi 42A



Digi 20E

Digi 20, Digi 42 Series 24 Hour, 7 Day

C.E.C. CERTIFIED TITLE 24, PART 6
ON ALL DIGI 42 MODELS

Time based control of lighting, ventilating, heating, cooling or other electrical loads in commercial and industrial applications. These one channel time switches are programmable for 24-hour or 7-day schedules. The Digi 42 offers an "8th day" or holiday schedule. The Digi 20A or Digi 42A are intended for either surface or DIN rail mounting. Both models are completely enclosed in a plastic housing and includes a terminal cover and sub-base for installation and hard wiring. The Digi 20E or Digi 42E are intended for flush mounting. Both models are supplied with a clear plastic snap-on dust cover.

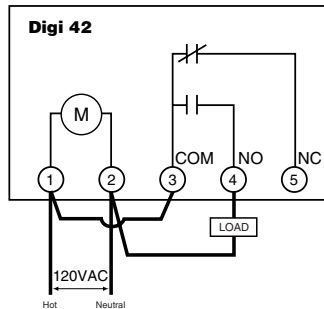


File #E83486

Features

- 24 hour or 7 day programming with accuracy to the second
- Easy programming; minimal keys and programming steps
- Unique "Circular Programming" with large keys is easier to use
- Selectable blocks of weekdays or weekends for quick programming on Digi 20, any combination of days on Digi 42
- Holiday program on Digi 42 may be scheduled a week in advance for one or more days
- Rechargeable battery backup with 1-4 weeks reserve carry-over
- Manual override provides for either temporary or continuous ON or OFF state, with status displayed in large LCD
- Digi 42 models have automatic daylight time changeover
- 24V models will operate on AC or DC

Digi 42 Typical Wiring:



SPECIFICATIONS

	Digi 20	Digi 42
Channels	1	1
Programs	20	42
Holiday Program	No	Yes
Reserve Carryover; min.	1 week	2 weeks
Automatic Spring/Fall Daylight Time Changeover	No	Yes

TECHNICAL DATA

Output: 1 SPDT relay with dry contacts
Switching Capacity: 16A Resistive @ 277VAC
1000W Tungsten @ 240VAC

Input Draw: 4VA
Shortest Switching Time: 1 minute
Accuracy: Less than ±4 minutes per year deviation
Ambient Temperature: 0°F to 140°F (-18°C to 60°C)
Ambient Humidity: 0 to 95% RH, non-condensing
Selectable AM/PM or 24 hr. (military) time LCD display
One Key Daylight Time Changeover (automatic on Digi 42)
Manual 3-Way Override: Temporary or permanent ON or OFF status indication in LCD display.

Wiring Connections: "A" Models: screw terminals for #10 to #24 AWG wire
"E" Models: 1/4" quick connects

SPECIFIERS GUIDE

Furnish and install a Grasslin Digi 20 (Digi 42) ___ electronic time switch. This 1 channel control shall have 24 hour and 7 day programming and also offer 10 (21) ON and 10 (21) OFF setpoint programs and include 4 block programs (allow selection of any combination of days) for different weekday schedules. The LCD shall display time of day in AM/PM or military time format and provide load status indication. A daylight time adjustment key shall also be provided. The time switch will be programmable to the minute and also offer a manual override for ON or OFF to the next scheduled event or for permanent ON/OFF/Automatic. (The Digi 42 shall provide a 8th day or "Holiday" program which may be activated to begin on a specific day up to a week in advance, and continue from 1 to 99 days, selectable by the user.) The SPDT relay output will be rated for 16A Resistive @ 277VAC. Reserve shall be provided for a minimum of 7 days with built-in rechargeable batteries which need not be replaced. The time switch shall be surface, DIN rail or flush mountable or shall be available with a NEMA 1 indoor or NEMA 3R outdoor enclosure.

ORDERING DATA

Digi 42A and E also available for 12VDC input.

Model Code	Timer Voltage	Mounting	Setpoint Programs	Maximum Weekly On/Off Events	Relay Output Resistive Rating
Digi20A - 120	120V, 50/60Hz	Surface or DIN Rail	20	140	SPDT, 16A, 250V
Digi20A - 240	208/240V, 50/60Hz	Surface or DIN Rail	20	140	SPDT, 16A, 250V
Digi20A - 24	24V, 50/60Hz	Surface or DIN Rail	20	140	SPDT, 16A, 250V
Digi20A - 277	277V, 50/60Hz	Surface or DIN Rail	20	140	SPDT, 16A, 250V
Digi42A - 120	120V, 50/60Hz	Surface or DIN Rail	42	294	SPDT, 16A, 250V
Digi42A - 240	208/240V, 50/60Hz	Surface or DIN Rail	42	294	SPDT, 16A, 250V
Digi42A - 24	24V, 50/60Hz	Surface or DIN Rail	42	294	SPDT, 16A, 250V
Digi20E - 120	120V, 50/60Hz	Flush Panel	20	140	SPDT, 16A, 250V
Digi20E - 240	208/240V, 50/60Hz	Flush Panel	20	140	SPDT, 16A, 250V
Digi20E - 24	24V, 50/60Hz	Flush Panel	20	140	SPDT, 16A, 250V
Digi20E - 277	277V, 50/60Hz	Flush Panel	20	140	SPDT, 16A, 250V
Digi42E - 120	120V, 50/60Hz	Flush Panel	42	294	SPDT, 16A, 250V
Digi42E - 240	208/240V, 50/60Hz	Flush Panel	42	294	SPDT, 16A, 250V
Digi42E - 24	24V, 50/60Hz	Flush Panel	42	294	SPDT, 16A, 250V

For models in NEMA indoor or outdoor enclosures, see GMX Series, page 7

(24V models will operate on AC or DC)

ELECTRONIC TIME CONTROLS, 2 CHANNEL

Digi 42/2 24 Hour, 7 Day

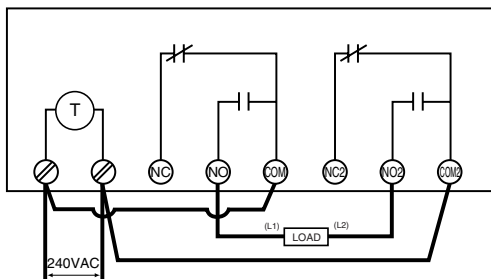
C.E.C. CERTIFIED
TITLE 24, PART 6
ON ALL DIGI 42 MODELS

Time based control of 2-circuit lighting, ventilating, heating, cooling or other electrical loads in commercial and industrial applications. The Digi 42/2 time switches are programmable for 24-hour or 7-day schedules as well as an "8th day" or holiday schedule. Each channel can operate independently or combined.

Features

- 24 hour or 7 day programming with resolution to the minute and accuracy to the second
- Large keys ease programming
- Unique circular programming pattern and minimal steps simplify programming
- Automatic Daylight Time changeover in spring and fall eliminates need to manually change the time
- Holiday, or "8th day" program may be scheduled a week in advance for one or more days
- Each channel may be programmed separately, or both together
- Automatically recharged NiCad battery maintains program and display for two weeks or more
- Manual override for each channel provides for either temporary or continuous ON or OFF state, with status displayed in large LCD

Digi 42/2 Typical Wiring:



File #E83486

SPECIFICATIONS

Output Switches: Two SPDT relays with dry contacts
Switch Capacity: 16A General Purpose, 125-250VAC
1000W Tungsten, 250V
500W Tungsten, 125V
N.O. Contact: 1HP, 240VAC; 1/2HP, 120VAC
Pilot Duty: 720VA, 120-240VAC
N.C. Contact: 3/4HP, 240VAC; 1/3HP, 120VAC
Pilot Duty: 360VA, 120-240VAC

Input Power: 4.4VA

Shortest Switching Time: 1 minute

Accuracy: Less than ± 4 minutes per year deviation

Ambient Temperature: 0°F to 140°F (-18°C to 60°C)

Ambient Humidity: 0 to 95% RH, non-condensing

Selectable AM/PM or 24 hr. (military) time display

Selectable completely automatic or one key manual daylight time changeover

Manual 3-Way Override: Temporary or permanent ON or OFF; status indication in LCD display

Wiring Connections: Screw terminals #12 to #24AWG

Size: 2.83" x 2.83" square face, x 2.28" deep

UL and Canadian UL Recognized: File E83486

SPECIFIERS GUIDE

Furnish and install a Grasslin Digi 42/2 electronic time switch. This two channel control shall have 24 hour and 7 day programming and also offer 21 ON and 21 OFF setpoint programs and allow selection of any combination of days for different weekday schedules. The LCD shall display time of day in AM/PM or military time format and provide load status indication. Selectable automatic or manual daylight time changeover shall be provided. In automatic mode, the time switch shall automatically advance the time by 1 hour at 2AM on the first Sunday of April, and set back the time 1 hour at 2AM on the last Sunday of October. The time switch shall be programmable to the minute and also offer a manual override for ON or OFF to the next scheduled event or for permanent ON/OFF/Auto. A 8th day or "Holiday" program shall be provided which may be activated to begin on a specific day up to a week in advance, and continue from 1 to 99 days, selectable by the user. The SPDT relay outputs will be rated for 16A General Purpose, 1HP at 240V, and 16A General Purpose, 1/2HP at 120V as well as pilot duty of 720VA. Reserve shall be provided for a minimum of 14 days with a built-in rechargeable battery which need not be replaced. The time switch shall be surface or flush panel mountable with a DIN rail mounting base optional, or shall be available with a NEMA 1 indoor or NEMA 3R outdoor enclosure.

ORDERING DATA

Model Code	Timer Voltage	Mounting*	Setpoint Programs	Maximum Weekly On/Off Events	Relay Output General Purpose Rating
Digi42/2 - 120	120V, 50/60Hz	Flush or Surface	42	294	(2) SPDT, 16A, 250VAC
Digi42/2 - 240	240V, 50/60Hz	Flush or Surface	42	294	(2) SPDT, 16A, 250VAC
Digi42/2 - 24	24V, 50/60Hz	Flush or Surface	42	294	(2) SPDT, 16A, 250VAC

*For DIN rail mounting, order: MB-DIN Rail Mounting Base