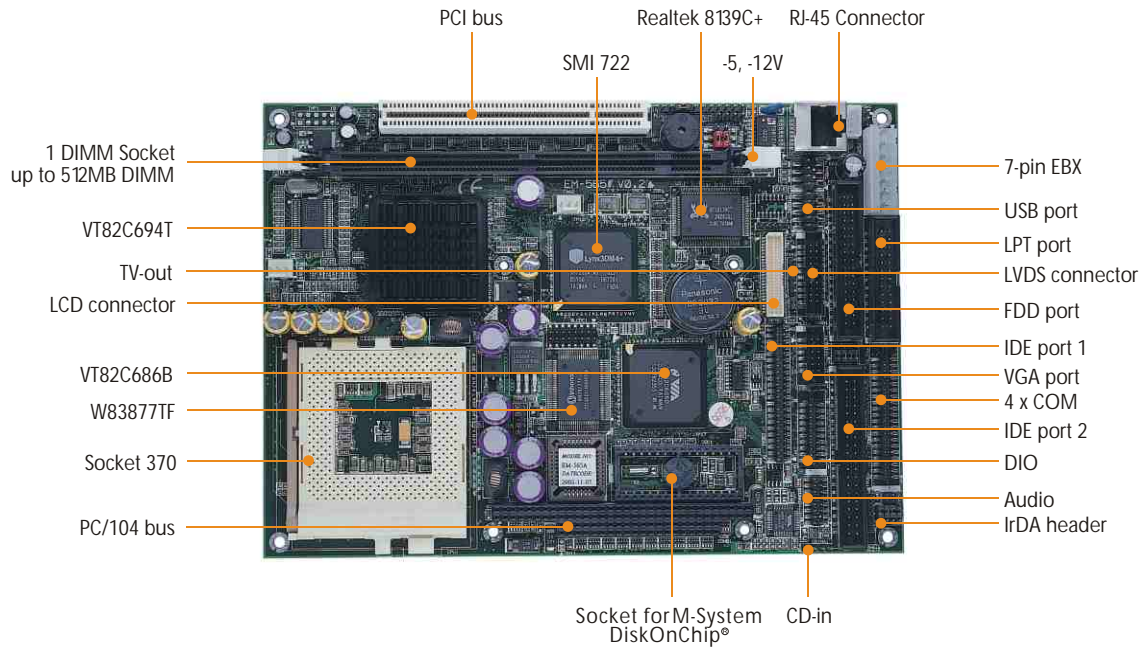


VTC1083

EBX Socket 370 PIII SBC with VGA/LCD/LVDS/LAN/Sound/DOC/CF/TV

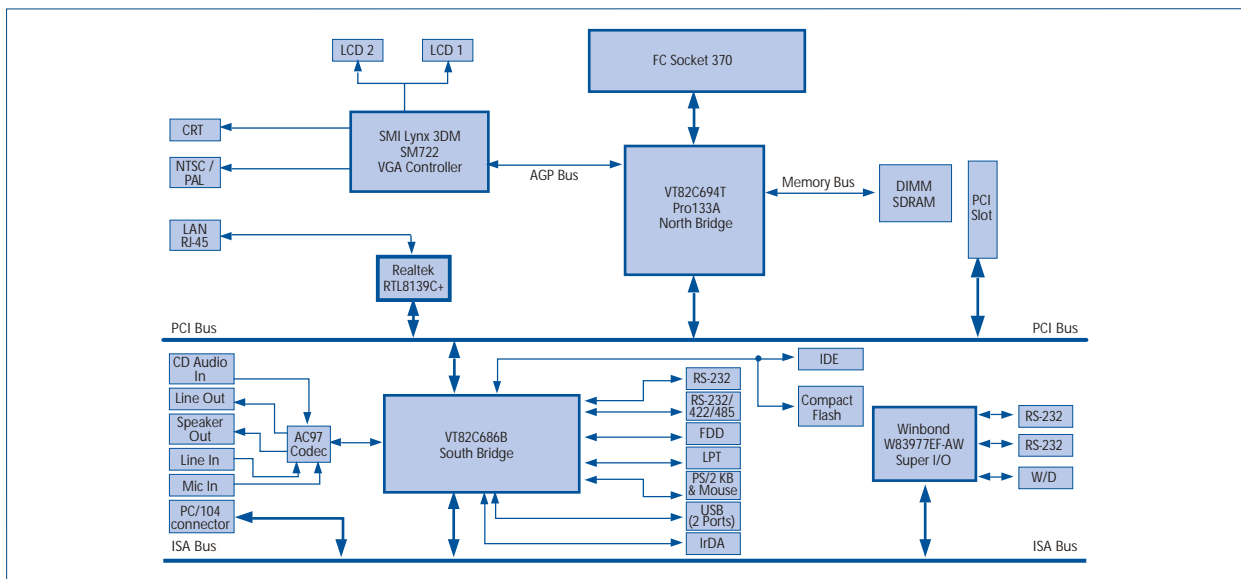


FEATURES

Socket 370 supports PIII / Celeron / VIA CPU
 36 bit TFT & 24 bits LVDS support
 NTSC/PAL TV output
 10/100 Base-T Ethernet & AC-97 audio

Type I / II CompactFlash
 4 COMs / 1 parallel / 2 USB / 1 IrDA
 PC/104 & PCI expansion

DIAGRAM



VTC1083

EBX Socket 370 PIII SBC with VGA/LCD/LVDS/LAN/Sound/DOC/CF/TV

SPECIFICATION

CPU	Socket 370 for Intel® Pentium® III / Celeron™ / VIA C3 processor
Chipset	VIA VT82C694T & VT82C686B
BIOS	256KB AMI® licensed BIOS
System Memory	1 x DIMM socket supports up to 512MB SDRAM
VGA Controller	SMI 722 embedded 4MB video memory, support 1280x1024@16bpp or 1024x768@24bpp resolution Support 36 bits TFT and 24 bits LVDS LCD
Video-in/TV-out	Support NTSC/PAL mode with Composite/S-video output
Ethernet	1 x Realtek 8139C+ supports 10/100Base-T Ethernet
Audio/Sound	AC-97 audio with header for extended Mic-in/Line-in/CD-in/Line-out/Speaker-out connector cable
Flash Memory Disk	1 x socket for M-System DOC supports up to 288MB disk
CompactFlash	1 x socket support type I/II ATA mode CompactFlash disk
IDE Interface	2 x IDE ports support 4 IDE devices
Floppy Drive Interface	1 x FDD port support 2 floppy devices
Serial Port	4 x COM ports include 3 x RS-232 and 1 x RS-232/422/485
Parallel Port	1 x Parallel port (SPP/EPP/ECP)
Bus Interface	1 x PC/104 & 1 x PCI slot
Universal Serial Bus	2 x USB ports
IR Interface	1 x IrDA header
Digital I/O	8 x digital input and output
Keyboard / Mouse Connector	1 x header for extended PS/2 keyboard/mouse connector cable
Power Connector	1 x 7-pin EBX and 1 x 4-pin connectors
RTC	Internal RTC with Li Battery
Watchdog Timer	15 level time-out intervals
Power Consumption	35W (PIII 850MHz, 128MB SDRAM)
Hardware Monitor	Hardware monitor function
Operating Temperature	0°C ~ 60°C
Storage Temperature	-20°C ~ 70°C
Humidity	5% ~ 95% relative humidity, non-condensing
Dimensions	203 x 146mm (8" x 5.75")
Net Weight	350g (0.77 lb)

OPTIONAL CABLE KIT

Item	Unit	Description
IDE cable	1pc	IDP w/ Key to 40P x 2
USB cable	1pc	USB Y cable 2 x 5P 2.54mm
Printer cable	1pc	216C2 Printer cable
FDC cable	1pc	VTC1121/1092 FDC CAB 34-34 Pin
IDE cable	1pc	ATA100 40P IDE80 Impedence
VGA cable	1pc	VGA 12P to 15P 30CM
EBX cable	1pc	EBX (7 Pin) to ATP8 / P9 (12Pin)
Power cable	1pc	20P ATX to 7P EBX + 4P Header x 2
Y cable	1pc	Keyboard /Mouse Y cable 8P Header-PS2
Sound cable	1pc	16P 2.0mm to 5P phone Jack x 4
TV cable	1pc	5P 2.54mm to RCA Jack + 4P mini DIN
COM cable	1pc	RS232 40P 2.0mm to 9P D-Submale x 4
Spacer and Cap	1pc	Spacer and Cap for PC104 / Standoff 15mm



*All the specifications and photos are subjected to be changed without notice.