

PS2 Type Industrial Power Supply

EPA-300

EPS12V

300 watts Output Power

6 Output Rails with PFC

ATX12V Application

Meet 4U Rack Mount System



Dimensions: 150(W) x 86(H) x 140(D) mm

Features:

- ⦿ ATX12V Form Factor
- ⦿ ATX12V 6 Output Rails
- ⦿ Universal Power Input
- ⦿ Over Power Protection
- ⦿ Short Circuit Protection
- ⦿ Over Current Protection
- ⦿ Over Voltage Protection
- ⦿ Dual Processors Application
- ⦿ Remote DC Sense on +5V and +3.3V
- ⦿ Active power Factor Correction
- ⦿ MTBF >100,000 Hours

General Specifications:

- ⦿ Input Range: 100 to 240 VAC, +/-10%
- ⦿ Power Factor: 0.95 minimum
- ⦿ Efficiency: 70% minimum, at full load
- ⦿ Hold up Time: 20mS minimum, at full load
- ⦿ PSON (Remote ON/OFF): TTL compatible signal
- ⦿ Power Good: 100 to 500 ms, TTL compatible signal
- ⦿ Cooling Fan: 80x80x20 mm
- ⦿ Operating Temperature: 0 to 50 centigrade degree
- ⦿ Operating Humidity: 20 to 90 %

Agency Requirements:

- ⦿ Harmonic: Meet EN61000-3-2 standards
- ⦿ EMI/RFI: CE, FCC class B and CISPR class B
- ⦿ Safety: UL, cUL, CB, TUV

Electrical Specifications:

Regulation, Ripple & Noise:

Output	+5V	+3.3V	+12V	-5V	-12V	5Vsb
Load Regulation	± 5%	± 5%	± 5%	± 5%	± 5%	± 5%
Cross Regulation	± 5%	± 5%	± 5%	± 5%	± 5%	± 5%
Line Regulation	± 1%	± 1%	± 1%	± 1%	± 1%	± 1%
Ripple & Noise	50mV	50mV	120mV	100mV	120mV	50mV

Input and Output Ratings:

Input			Output							
Voltage	Frequency	Current	Watt	Load	+5V	+3.3V	+12V	-5V	-12V	5Vsb
100 – 240 VAC	47-63 Hz	7A max	300W	Max Load	30A	28A	15A	0.3A	0.8A	2A
				Min Load	1.5A	0A	0.2A	0A	0A	0A

Note: 1. The +5 & +3.3 Volt combine total output shall not exceed 180W.

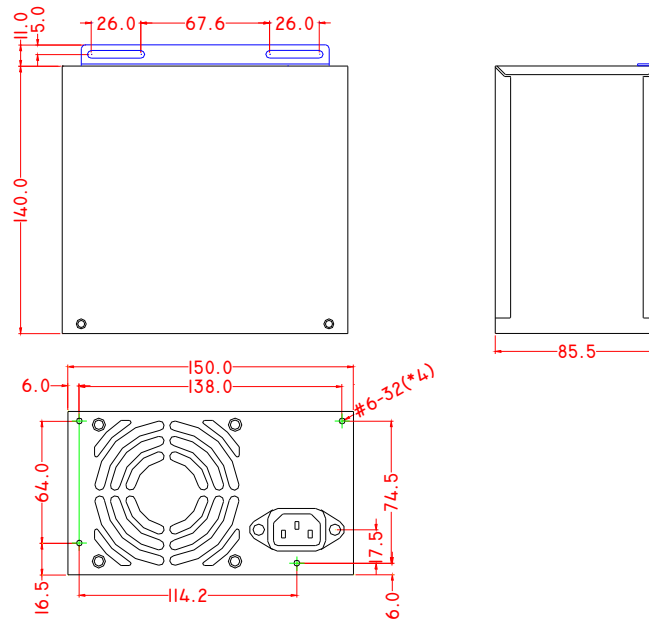
2. The +5, +3.3 and +12 Volt combine total output shall not exceed 280W.

3: Noise bandwidth is from DC to 20 MHz.

PS2 Type Industrial Power Supply

EPA-300

Dimensions (Unit: mm):



Rev 1.2 June. 16, 03