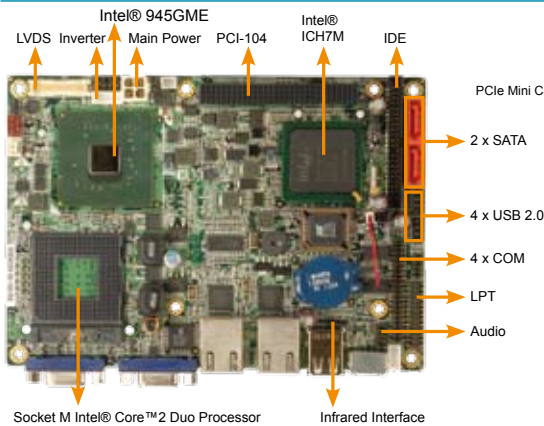
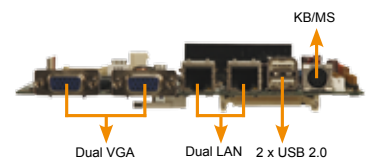


# epic NANO-9453-R11

EPIC with Intel® Core™2 Duo Processor, Dual VGA, SATA, Dual PCIe GbE, CF Type I/II, IDE & USB 2.0



## Solder Side



## Specifications

- ◆ CPU  
Socket M Intel® Core™2 Duo, Core™ Duo/Solo processor with a 667MHz FSB  
Celeron® M processor with a 533MHz FSB (Yonah Core)
- ◆ System Chipsets  
Intel® 945GME + ICH7M
- ◆ BIOS  
AMI BIOS
- ◆ System Memory  
One 200-pin 667/533/400MHz DDR2 SDRAM SO-DIMM supported (system max. 2GB)
- ◆ Ethernet  
Dual PCIe Broadcom BCM5787M chipsets
- ◆ I/O Interface  
6 x USB 2.0  
1 x IDE  
1 x RS-232/422/485  
1 x LPT  
2 x SATA  
3 x RS-232  
1 x PS/2 for KB/MS  
1 x CF Type II
- ◆ Expansion  
1 x PCI-104 (PCI bus)  
1 x PCIe Mini Card Slot
- ◆ Infrared Interface  
1 x Infrared Interface by pin header
- ◆ Super I/O  
ITE IT8712F
- ◆ Digital I/O  
8-bit digital I/O, 4-bit input/ 4-bit output by super I/O
- ◆ Audio  
5.1 channel audio kit with Realtek ALC655 AC'97 codec  
7.1 channel HD audio kit with Realtek ALC883 codec supports dual audio streams
- ◆ Display Interface  
1st VGA DB15 output Integrated in Intel 945GME  
2nd VGA DB15 through SDVO by Chronitel CH7317A  
Dual display independent by VGA1+VGA2 or VGA1+LVDS or VGA2+LVDS  
18/24-bit dual-channel LVDS
- ◆ Watchdog Timer  
Software programmable 1-255 sec. by super I/O
- ◆ Power Supply  
12V only AT/ATX support
- ◆ Power Consumption  
12V@3.29A, 5Vsb@0.26A (Intel® Core™2 Duo 2.16GHz, 1GB DDR2 533MHz)
- ◆ Temperature  
Operating: 0°C ~ 60°C (32°F ~ 140°F)
- ◆ Humidity  
Operating: 5% ~ 95% non-condensing
- ◆ Dimensions 165 mm x 115 mm
- ◆ Weight GW: 800 g / NW: 250 g

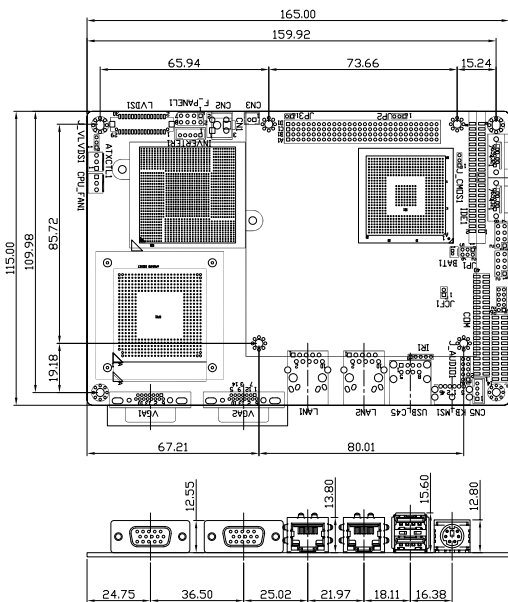
## Packing List

1 x NANO-9453 Single Board Computer
1 x 4 RS-232 Adapter Cable (P/N: 32200-025401-RS)
1 x IDE Flat Cable 44p/44p (P/N: 32200-000009-RS)
2 x SATA Cable (P/N: 32000-0628000-RS)
1 x SATA Power Cable (P/N: 32100-088600-RS)
1 x KB/MS Cable (P/N: 32000-000138-RS)
1 x Power Cable (P/N: 32100-087100-RS)
1 x Mini Jumper Pack
1 x Utility CD
1 x QIG (Quick Installation Guide)

## Features

1. Support an Intel® Core™2 Duo processor with a 667MHz FSB
2. Support one DDR2 400/533/667MHz SO-DIMM with a maximum capacity of 2GB
3. Dual PCIe GbE Broadcom BCM5787M controllers
4. Support dual 18/24-bit LVDS LCD panels and Dual VGA ports
5. 2 x SATA, 6 x USB 2.0, 1 x CF Type I/II, 1 x LPT and 4 x COM
6. PCIe Mini Card and PCI-104 expansion interface

## Dimensions (mm)



## Ordering Information

Part No.	Description
NANO-9453-R11	EPIC SBC, Intel® Core™2 Duo, Core™ Duo/Solo FSB 667MHz with Dual VGA, LVDS, Dual PCIe GbE and SATA
32000-044300-RS	USB Cable
32200-074800-RS	RS-422/485 Cable
AC-KIT08R-R10	5.1 Channel AC'97 Audio Kit with Realtek ALC655
AC-KIT-883HD-R10	7.1 Channel HD Audio Kit with Realtek ALC883 Support Dual Audio Streams
CF-479B-RS	CPU Cooler (50mm x 50mm x 26mm, 50W)
32200-015100-RS	LPT Cable
32100-043403-RS	ATX Power Cable

1 Application Server Platform

2 Single Board Computer

3 IBX Series POS PC

4 AFOLUX POS Panel PC

5 Video Capture Card

6 KAMIO RISC

7 IOVU Open HMI

8 VITO Universal Controller

9 DINO BLADE

10 LCD Product Series

11 Embedded System

12 Industrial Computer Chassis

13 Power Supply

14 Peripherals