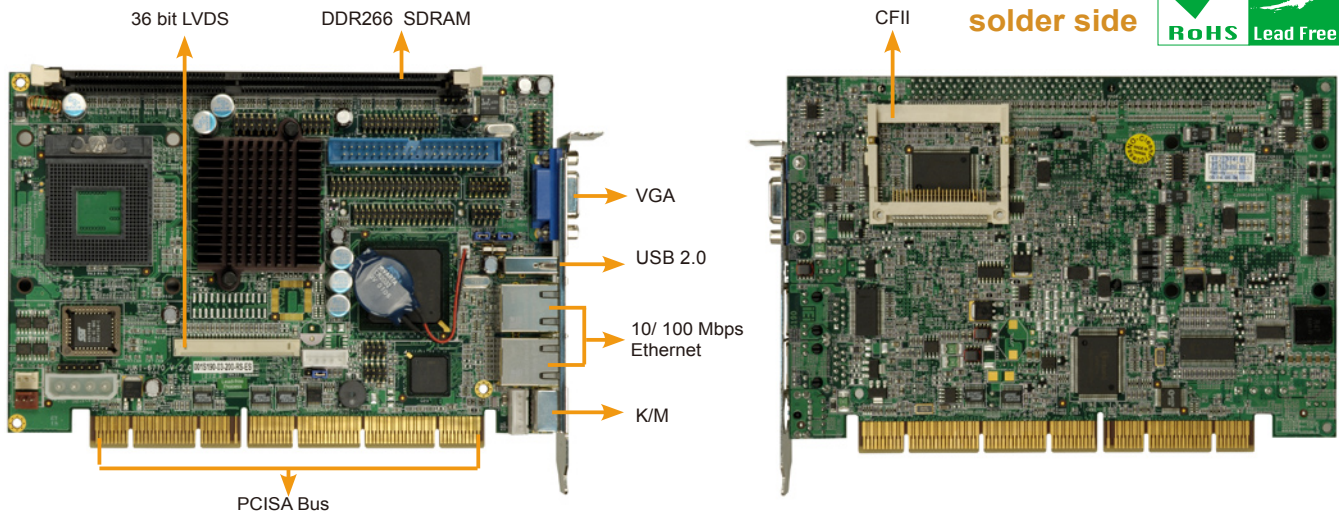


# JUKI-6770E2-RS

PCISA Intel® Pentium® M/ Celeron® M CPU Card with LCD/CRT VGA, Dual LAN, USB2.0 and Audio



## Feature

1. Support Intel® Pentium® M / Celeron® M up to FSB 400MHz
2. Intel® 852GM integrated graphic engine support dual display function
3. DDR266 SDRAM memory support up to 1GB
4. LAN, USB2.0, Audio Integrated

## Specification

PCISA™  
BUS

Dual  
Display

HI-SPEED  
CERTIFIED  
USB™



### ◆ CPU

Socket-479 based support Intel® Pentium® M/ Celeron® M up to 400MHz FSB / Onboard Celeron® M 800MHz zero cache

### ◆ System Chipset

Intel® 852GM + ICH4

### ◆ BIOS

AMI BIOS Label

### ◆ System Memory

DDR266 SDRAM socket support up to 1GB

### ◆ Ethernet

2 x 10/100 Mbps Intel® 82562ET/82551ER fast Ethernet controller onboard

### ◆ I/O

#### I/O Interface

- 1 x RS-232 serial port
- 1 x RS-232/422/485 serial port with Auto-Direction function
- 1 x LPT by pin-header
- 1 x IrDA by pin-header
- 5 x USB 2.0 (4 by pin header, 1 by connector)
- 1 x FDD
- 1 x ATA-100
- 1 X ATA-33
- 1 x PS/2 connector for keyboard/mouse

### ◆ Digital I/O

4 input / 4 output

### ◆ Super I/O

W83627HG

### ◆ Audio

AC '97 compliant Audio codec

### ◆ Display

- CRT integrated in Intel® 852GM
- Support dual display, dual view
- DB-15 VGA connector
- DF14-30F dual channel LVDS connector
- Optional DVI interface

### ◆ Watchdog Timer

Software programmable supports 1~255 sec. system reset

### ◆ Power Supply

5V/12V, AT/ATX support

### ◆ Power Consumption

5V@3.5A, 12V@1.9A, (Intel® Pentium® M 1.7G/ 2M DDR266/ 512 MB RAM)  
5V@2.2A, 12V@0.44A, (Celeron® M 800z, DDR266/ 512MB RAM)

### ◆ Temperature

operation: 0 ~ 60° C (32 ~ 140° F)

### ◆ Humidity

operation: 5% ~ 95% non-condensing

### ◆ Dimension

165mm x 115 mm

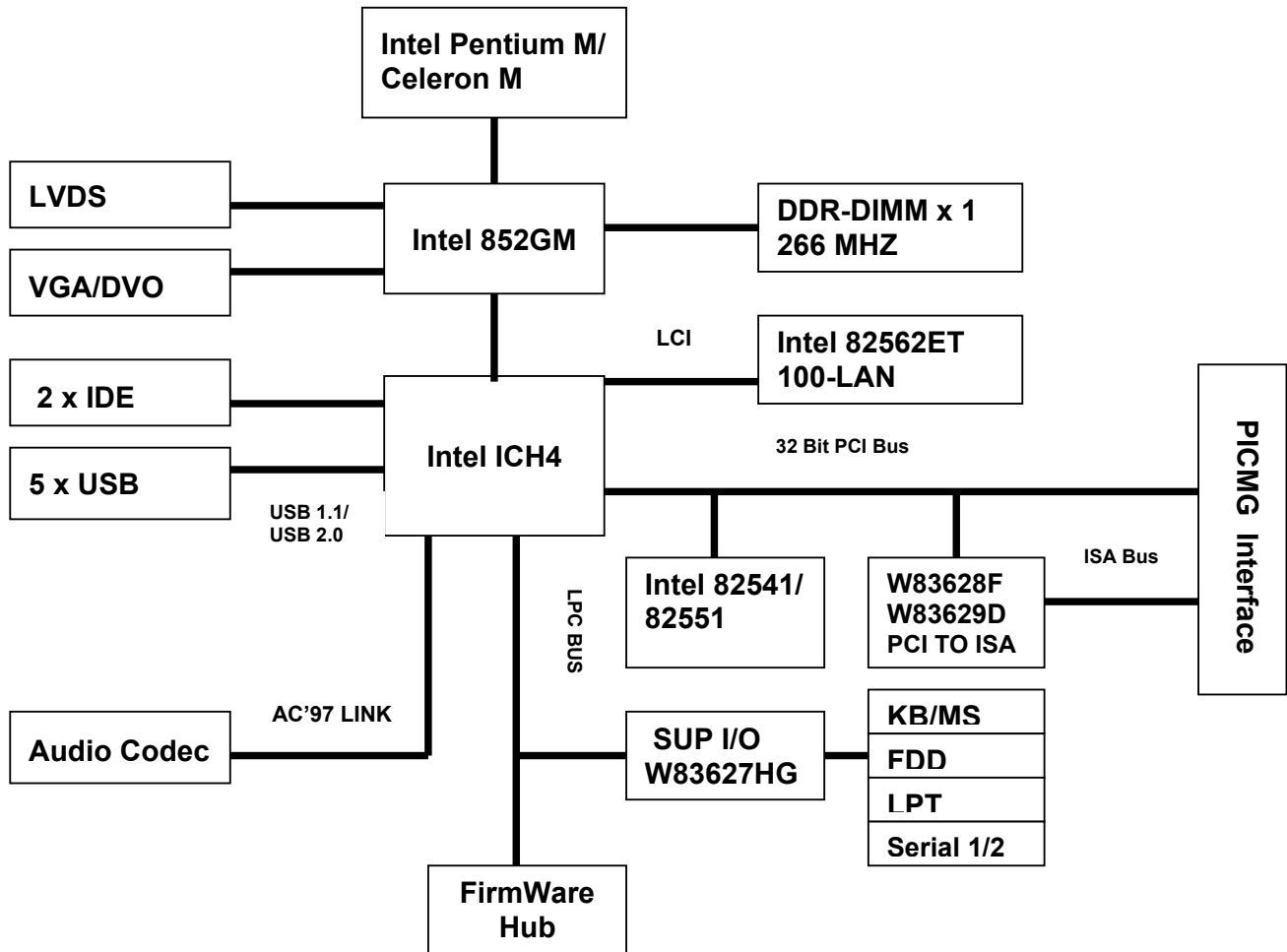
### ◆ Weight

GW: 1.0Kg

## RoHS Compliance

IEI is committed to compliance with all applicable laws and regulations, including the European Union Restriction of Hazardous Substances (RoHS) in electrical and electronic products. The goal is to exceed compliance obligations by meeting the requirements of the RoHS Directive on a worldwide basis. With IEI 's new lead free production, all customers can start to work for their long term projects without worry about the RoHS regulation.

## Function Block



## Packing List

1 x JUKI-6770E2-RS single board computer	1 x Audio cable (P/N: 19800-000044-RS)
1 x Mini jumper pack	1 x Keyboard/ PS2 mouse cable (P/N: 32000-000138-RS)
1 x ATA66/100 HDD cable (P/N: 32200-000052-RS)	1 x USB cable (P/N: CB-USB02A-RS)
1 x RS232/LPT cable (P/N: 19800-000027-RS)	1 x Utility CD
1 x RS422/ 485 cable (P/N: 32200-000077-RS)	1 x QIG

## Ordering Information

Part No.	Description
JUKI-6770E2-RS-R20	PCISA Intel® Pentium® M/ Celeron® M CPU Card with LCD/ CRT VGA, Dual LAN, USB2.0 and Audio
JUKI-6770E2-RS-800Z-R20	PCISA Intel® Celeron® M 800MHz Zero Cache CPU Card with LCD/ CRT VGA, Dual LAN, USB2.0 and Audio
32200-000058-RS	2.0 Pitch FDD Cable



### Headquarters

**IEI Technology Corp.**  
 TEL : +886-2-86916798 FAX : +886-2-66160028  
 sales@ieiworld.com www.ieiworld.com  
 No. 29, Jhongsing Rd., Sijhih City, Taipei County, 221, Taiwan

### America-United States

**IEI Technology USA Corp.**  
 TEL : +1-562-690-6677 FAX : +1-562-690-0898  
 sales@usa.ieiworld.com www.usa.ieiworld.com  
 515 N. Puente St., Brea, CA 92821

### China

**Armorlink SH Corp.**  
 TEL : +86-021-54429000 FAX : +86-021-54429100  
 sales@ieiworld.com.cn www.ieiworld.com.cn  
 No.515, Shenfu Road, Minhang District, Shanghai, China