

DIRECTIONAL CONTROL VALVES

Small 4-Way IN-Stock MAC Valves 45 Series Direct Solenoid Operated Valves

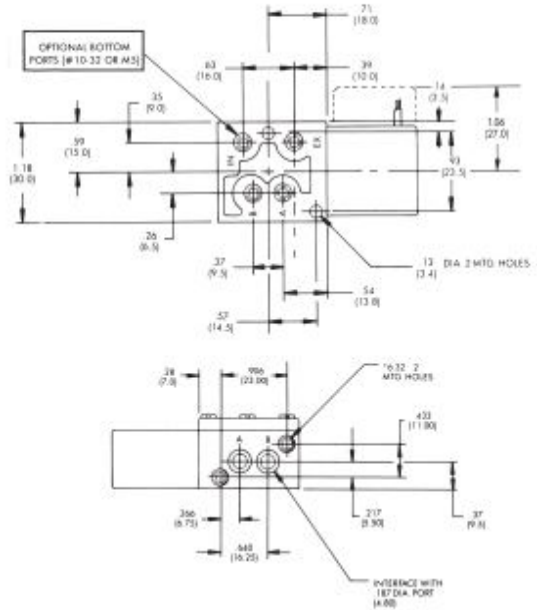
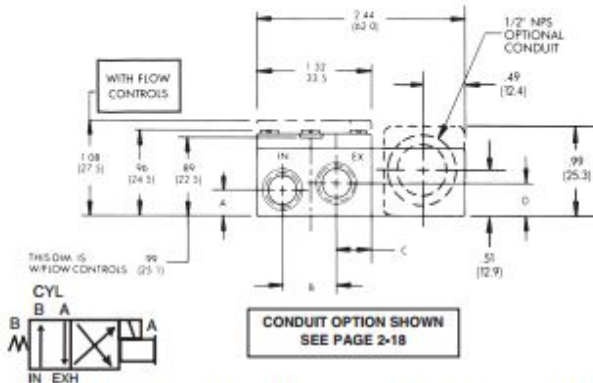
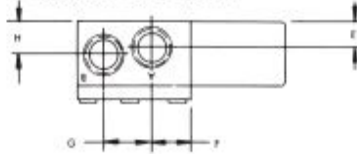


"BA" Option
With Flow
Controls



"KJ" Option

4 WAY-4 PORTS



120/60, 110/50 VAC Single Solenoid Inline Valves with 1/8" NPT Ports

Model Number	Cv	Flow Control	Connector
45A-AA1-DAAA-1BA	.15	NO	18" Leads with Grommet
45A-AA2-DAAA-1BA	.15	YES	18" Leads with Grommet
45A-AA1-DAAJ-1KJ	.15	NO	9.4 mm DIN Connector, male only*
45A-AA2-DAAJ-1KJ	.15	YES	9.4 mm DIN Connector, male only*

24 VDC 5.4 Watt Single Solenoid Valves with 1/8" NPT Ports

Model Number	Cv	Flow Control	Connector
45A-AA1-DDAA-1BA	.15	NO	18" Leads with Grommet
45A-AA2-DDAA-1BA	.15	YES	18" Leads with Grommet
45A-AA1-DDAJ-1KJ	.15	NO	9.4 mm DIN Connector, male only*
45A-AA2-DDAJ-1KJ	.15	YES	9.4 mm DIN Connector, male only*

24 VDC 1.8 Watt Single Solenoid Valves with 1/8" NPT Ports

Model Number	Cv	Flow Control	Connector
45A-AA1-DFBA-1BA	.10	NO	18" Leads with Grommet
45A-AA2-DFBA-1BA	.10	YES	18" Leads with Grommet
45A-AA1-DFBJ-1KJ	.10	NO	9.4 mm DIN Connector, male only*
45A-AA2-DFBJ-1KJ	.10	YES	9.4 mm DIN Connector, male only*

*Note: For mating 9.4 mm DIN Connectors or molded cordsets, reference page 2-44.