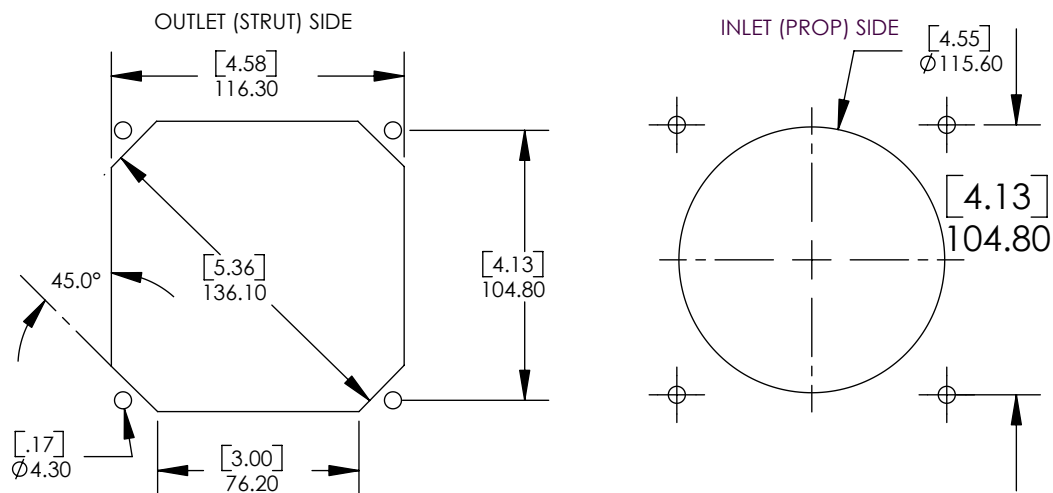


### RECOMMENDED CUTOUTS



CONTACT INFO:		SALES@COMAIRROTRON.COM	
WWW.COMAIRROTRON.COM		(619) 661 - 6688	
TOLERANCE UNLESS OTHERWISE SPECIFIED	AMERICAN PROJECTION	3D MODEL FOUND AT..	
2 PL. DEC. $\pm .03$ [.8]			
3 PL. DEC. $\pm .010$ [.25]			
ANGULAR $\pm 30'$			

**WHISPER XL AC**