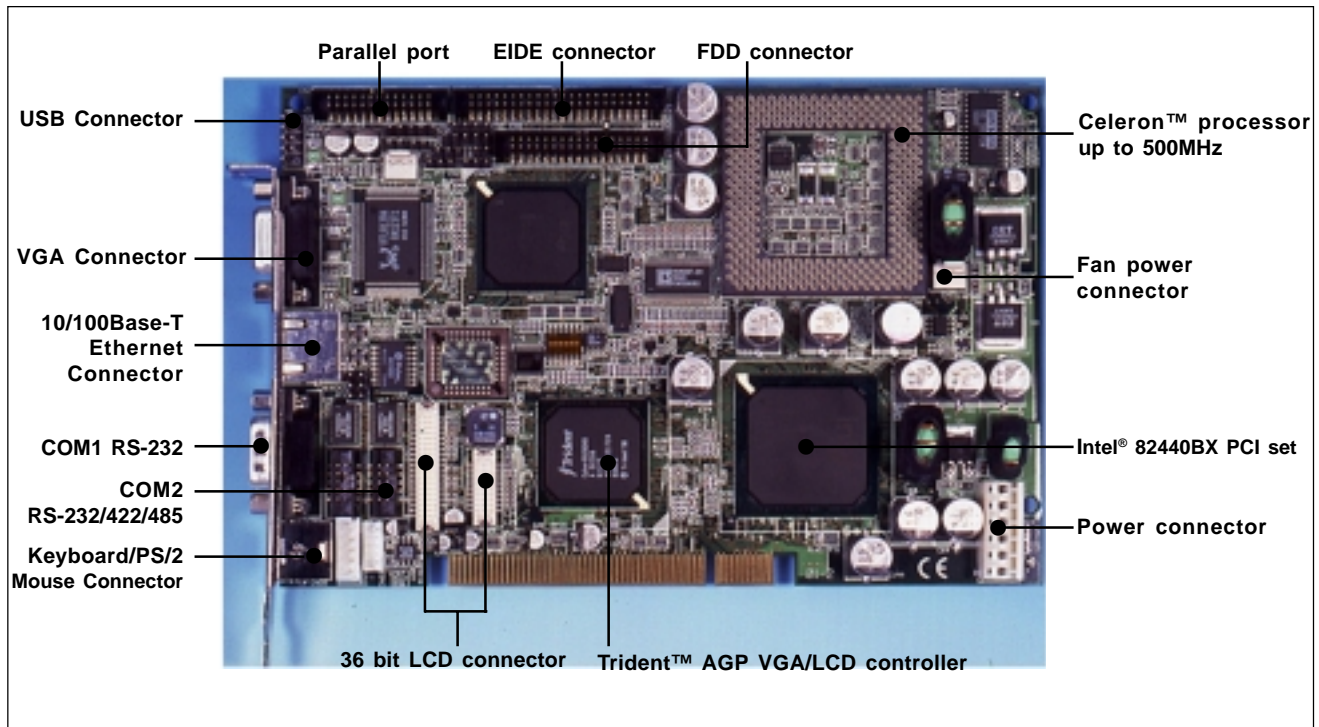


PCI-6771

Socket 370 Celeron™ Half-size Card PC with High Speed PCI Bus



Introduction

The High Speed PCI Bus

The PCI-6771 is Advantech's latest effort to provide new PCI based solutions to their customers. This SBC is based solely on the PCI bus standard.

Advantech previously featured PCI/ISO capabilities in the NLX line of products with the PCN-6351 SBC with associated backplanes and chassis. However, Advantech customers continued to show increased demand for PCI only solutions. The PCI-6771 answers these customers needs.

The advantage of using the PCI bus standard is the higher performance of 32-bits at 33 MHz compared to the ISA buses' standard 8/16-bits at 8 MHz. This increased performance makes PCI cards especially attractive for communication applications. PCI bus cards also provide for easy expansion. For example, adding another Ethernet port could easily be done on a PCI bus card. Also, other high-speed add-on cards need a PCI interface. High speed Add-on communication cards are good examples of this.

Socket 370 Flexibility

The PCI-6771 supports Socket 370 for Intel® Celeron™ processors. Celeron™ 300A/333/350/400/433/466/500 MHz are all supported. There is a Trident™ Cyber 9525DVD controller that supports up to

1024 x 768 resolution as well as 36 bit XGA TFT LCD panels. There are 2 serial ports, one RS-232 and one RS-232/422/485. The PCI-6771's USB interface is USB rev.1.0 compliant. There is a 10/100 Mbps Ethernet interface as well as SIR IrDA compliant infrared support. The PCI IDE interface has one enhanced IDE interface that supports 2 IDE devices. Ultra DMA 33 mode up to 33 MB/sec and PIO mode 3,4 with Bus Mastering up to 14 MB/sec.

Features

- Supports Socket 370 for Intel® Celeron™ processor
- AGP 3D VGA/LCD and supports 36 bit XGA TFT LCD Panel
- USB interface compliant with USB rev. 1.0
- SIR support
- System overheat temperature control
- 62-levels Watchdog timer, jumperless on-line setup supported
- Supports wake-up on LAN, Modem
- Supports turn off LCD back light function
- Supports PCI interface compliant with PCI rev. 2.1
- Supports four PCI Bus masters

PCI-6771

Specifications

- **CPU:** Socket 370 for Intel® Celeron™ processor up to 500 MHz
- **BIOS:** 2/4 Mbit Flash BIOS, supports Plug & Play, APM 1.2
Support Ethernet Boot ROM
Support boot from CD-ROM
Support boot from LS-120 ZIP™ Drive
Optional Customer icon
- **Chipset:** Intel® 440BX PCI set, FSB 66/100 MHz
- **2nd level cache:** 128 KB on Celeron™ Processor
- **System memory:** Two SODIMM sockets, support 8 MB to 256 MB, accepts 8/16/32/64/128 MB Synchronous DRAM
- **PCI IDE interface:** One Enhanced IDE interface, supports 2 IDE devices PIO mode 3,4 with bus mastering up to 14 MB/sec. Ultra DMA model up to 33 MB/sec.
- **Floppy disk drive interface:** Supports up to two FDDs (360 KB/1.2 MB/720 KB/1.44 MB/2.88 MB)
- **Parallel port:** One parallel port, supports EPP/ECP
- **IR port:** One 115 kbps IrDA compliant serial infrared
- **Serial ports:** 2 serial ports
COM1: RS-232, COM2: RS-232/422/485
- **Watchdog timer:** 62 levels timer interval, setup by software, jumperless selection, generates system reset or IRQ11

AGP SVGA/Flat Panel Interface

- **Chipset:** Trident™ Cyber 9525 DVD, high performance 64-bit GUI, 3D engine
- **Display memory:** 2.5 MB of SDRAM frame buffer on cyber 9525DVD. 4 MB SDRAM frame buffer on CyberBlade e4 TM9540 (optional)
- **Display type:** Simultaneously supports CRT and flat panel (EL, LCD and gas plasma) displays
- **Interface:** 2x AGP, Accelerator Graphics Ports 1.0 compliant
- **Display mode:**
LCD panel supports up to 800 x 600 @ 24 bpp, 1024 x 768 @ 24 bpp.
CRT display supports up to 800 x 600 @ 24 bpp, 1024 x 768 @ 24 bpp

Ethernet Interface

- RealTek™ RTL 8139 chip
PCI Ethernet controller, IEEE 802.3 protocol compatible
Supports 10/100 MBP base-T

Power Management

- Supports Advanced Power Management

Solid State Disk

- Supports CompactFlash™ disk

Keyboard/Mouse connector

- 6-pin Mini-Din header connector for keyboard and PS/2 mouse

On-board Security

- CPU over temperature

Mechanic and Environmental Specifications

- Standard Mode Power Consumption
4.73 A @ 5 V with Celeron™ 466, 128 MB SO DIMM
- **Operating temperature:**
0 ~ 60° C (32 ~ 140° F)
- **Size:** 185 mm x 122 mm
- **Weight:** 0.26 kg

Ordering Information

□ PCI-6771F-00A1

Half-size SKT370 CPU card with VGA, LCD, Ethernet and SSD

Optional Accessories

□ PCA-6104P4

4-PCI Slot passive backplane

□ IPC-644BP-80

4-slot IPC chassis & 80 W power supply

□ 9689000042

IrDA adapter

□ 1700100170

USB cable