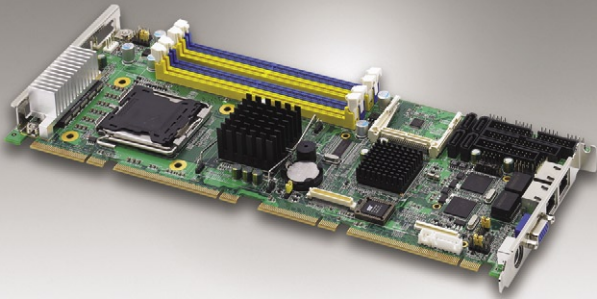


# PCE-5120

## LGA775 Pentium® D/Pentium® 4/Celeron® D Processor Card with PCI Express/VGA/Dual Gigabit LAN

**NEW**



### Features

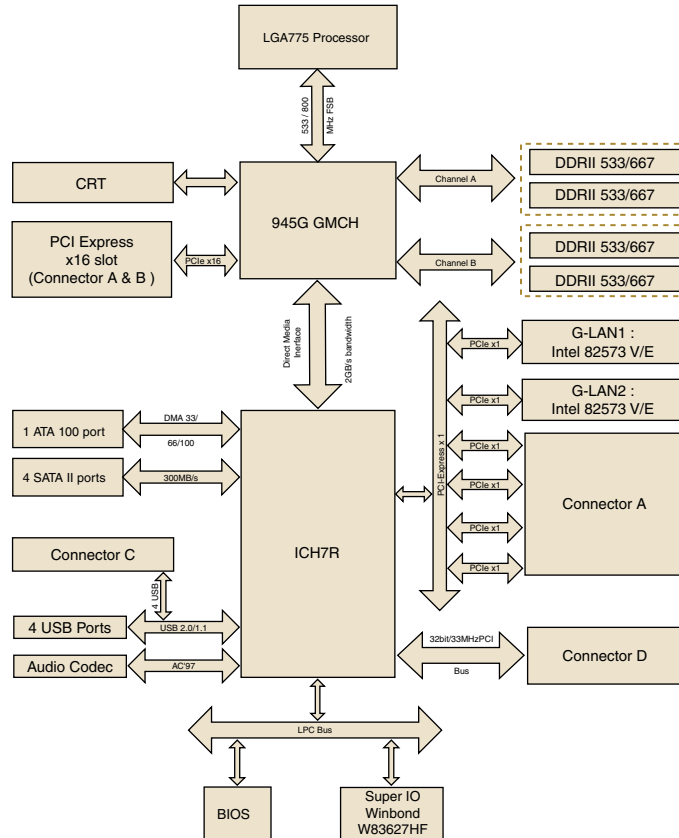
- Compliance with PICMG 1.3
- Supports LGA 775 Intel Pentium® D/ Pentium® 4/Celeron® D 800/533 MHz FSB
- Supports dual channel DDR2 533/667 SDRAM up to 4GB
- One PCIe x16 and four PCIe x1 Link to backplane
- Dual Gigabit Ethernet via two PCIe x1 port
- 4 SATAII HDDs Support S/W SATA RAID 0, 1, 5, 10



### Specifications

Processor System	CPU	Intel Pentium® D	Intel Pentium® 4	Intel Celeron® D			
	Max. Speed	3.2GHz (Dual Core)	3.8GHz	3.06 GHz			
	L2 Cache	2MB x 2/1MB x 2	2MB/1MB	512KB/256KB			
	Chipset	Intel 945G + ICH7R					
	BIOS	4Mb flash via LPC					
	Front Side Bus	800/533 MHz					
Bus	PCI-Express	One x16 & four x1 to Back plane					
	PCI	32 bit/33 MHz PCI					
Memory	Technology	Dual-channel DDR2 533/667 MHz DIMMs					
	Max. Capacity	4 GB					
	Socket	240-pin DIMM x 4					
Graphic	External Card	PCI Express X16 Graphic Card					
	Chipset Integrated	Up to 2048 x 1536 @ 75 Hz refresh					
	VRAM	Shared with 224 MB system memory					
	Video Output	15-pin CRT connector x1					
Ethernet	Interface	10/100/1000Base-T					
	Controller	LAN1: Intel 82573V (PCI-Express x1) LAN2: Intel 82573V (PCI-Express x1)					
	Connector	RJ45 with LED connector x 2					
SATAII	Max. Data transfer rate	300MB/s					
	Channel	4 on SHB; support S/W RAID 0, 1, 5, 10					
EIDE	Mode	ATA 100/66/33					
	Channel	1 (support up to 2 IDE devices include 1 optional type II CF connector)					
PCI expansion (optional )		32-bit, 33MHz PCI expansion slot, it can be used for SCSI board or PCA-GIGA					
I/O Interface	USB	Max. 8 (USB 2.0 compliant) 4 on SHB by Pin Header, 4 to Backplane					
	Serial	4 (RS-232) with Pin Header (COM2 can be configured to RS-232/422/485)					
	Parallel	1 (EPP/ECP)					
	FDD	1					
	PS/2	1 (for mouse and Keyboard, Y cable included)					
Watchdog Timer	Output	Interrupt, system reset					
	Interval	Programmable 1, 2, 4, 8, ..., 256 sec					
Miscellaneous	Audio Output	AC'97 audio interface (requires an audio extension module P/N: PCA-AUDIO-00A1E)					
	Typical	Intel Pentium® D 3.2 GHz/2M/800/130W; DDR2 667 MHz 1 GB x 4					
Power Requirement		+12V	+5V	+3.3V	+5VSB	-12V	-5V
		15A	2A	20A	0.7A	0A	0A
Environment		Operating			Non-Operating		
	Temperature	0~55° C (32 ~ 131° F), depends on CPU's speed			-20 ~ 80° C (-40 ~ 176° F)		
Physical	Dimensions	338.58 mm (L) x 126.39 mm (W) (13.3" x 4.98")					

## Block Diagram



## Ordering Information

Part Number	Gigabit LAN	VGA	RoHS
PCE-5120G2-00A1E	Dual	Yes	Yes
PCE-5120VG-00A1E	Single	Yes	Yes

## Bracket View



PCE-5120G2-00A1E



PCE-5120VG-00A1E

## Packing List

Part Number	Description	Quantity
1700340640	FDD cable	1
1701400452	Ultra ATA 66/100 HDD cables	1
1700071000	Serial ATA HDD data cable	2
1703150102	Serial ATA HDD power cable	2
1701260305	Printer + COM cable	1
1701092300	Dual COM port cable kit	1
1700060202	Y cable for PS/2 keyboard and mouse	1
1750000400	CPU cooler	1
1700002314	USB cable with 4 ports	1
9689000068	Jumper pack	1
-	Startup manual	1
-	Utility CD	1

## Accessories

Part Number	Description
PCA-AUDIO-00A1E	Audio extension module