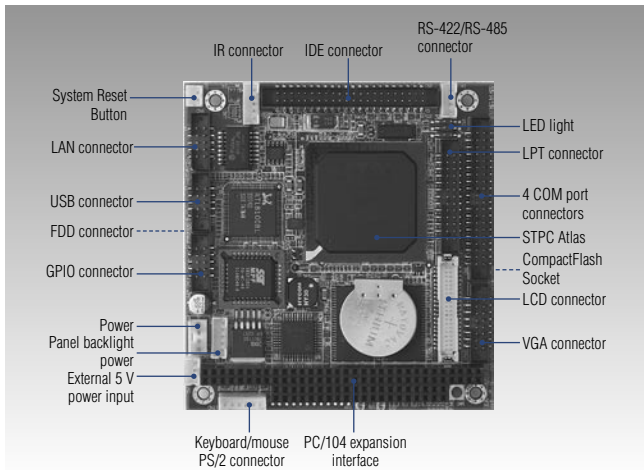


PCM-4141

STPC® ATLAS PC/104 CPU Module
with VGA/LCD/Ethernet, -40 ~ +85° C



Features

- 40° C ~ +85° C , Phoebus design onboard CPU, memory, Flash for anti-vibration and shock resistance
- Low Power STPC ATLAS CPU Fanless Module
- Onboard 64 SDRAM
- 18-bit TFT LCD Support
- Up to 4 COMs Supported
- 2 USB 1.1 Support

Specifications

General

- CPU** STPC ATLAS 120 MHz CPU module
- BIOS** AWARD® 256 KB Flash BIOS
- System Memory** Onboard 64 SDRAM
- SSD** N/A
- Flash** Onboard Flash, support 128MB/1 GB
- Watch Dog Timer** 63 scale, hardware reset and IRQ selection
- Expansion Interface** 1 x PC/104
- Battery** Lithium 3V/196 mAh

I/O

- I/O Interface** 1 x EIDE (DMA 33), 1x FDD (optional), 1 x K/B, 1 x Mouse, 3 x RS232, 1 x RS232/422/485, 1 x LPT
- USB** 2 x USB 1.1 compliant Ports
- IrDA** 115 kbps, IrDA 1.1 Compliant
- GPIO** 8-bit IN/OUT

Ethernet

- Chipset** Intel 82551ER
- Ethernet Interface** 10/100Base-T
Standard IEEE802.3, IEEE802.3u

Display

- Chipset** STPC ATLAS support 18-bit TFT LCD Panel
- Memory Size** Shared Memory Architecture, up to 4 MB using system memory
- Resolution** * CRT Display mode: Up to 1280 x 1024 at 75 Hz
* LCD Display mode: Up to 1024 x 1024 and up to 18-bit TFT
- LCD Interface** Hirose connector supports 18-bit TFT LCD Panel

Mechanical and Environmental

- Dimension (L x W)** 96 x 90 mm (3.8" x 3.5")
- Weight** 0.85 kg (weight of total package)
- Operating Temperature** -40 ~ +85° C
- Operating Humidity** 0% ~ 90% relative humidity, non-condensing

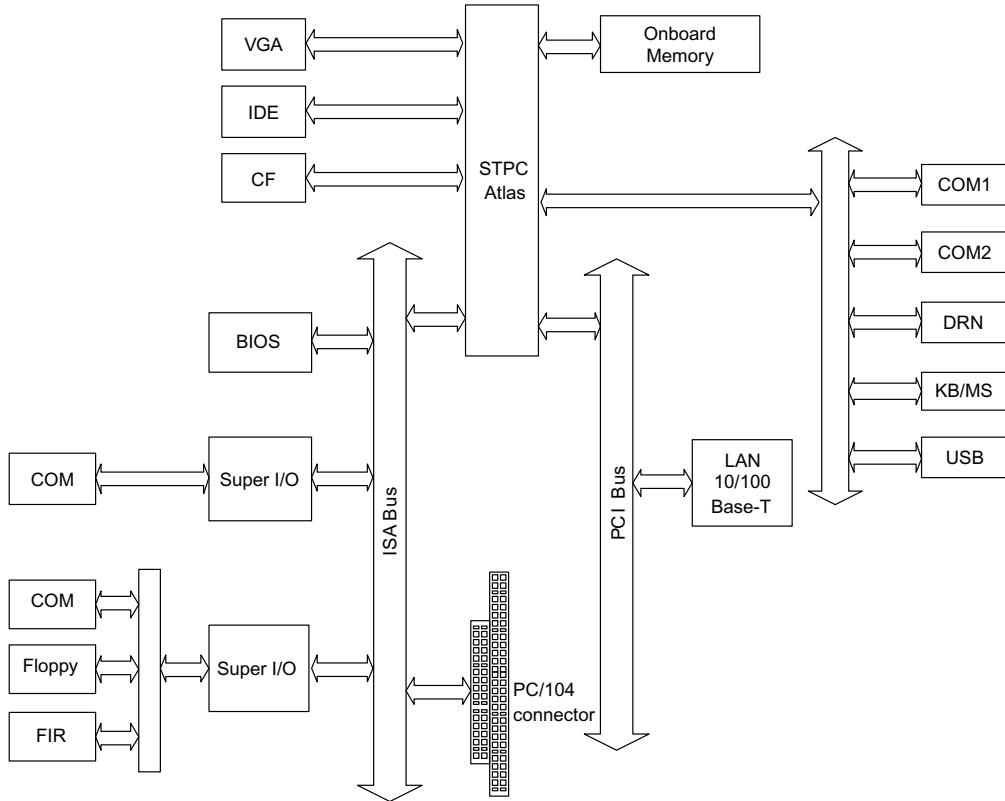
Power

- Power Supply Voltage** 4-pin power connector, +5 V power
- Power Requirement**

Packing List

- 1 x PCM-4141 SBC
- 1 x KB/Mouse Y-cable EXT cable (p/n: 1703060053)
- 1 x KB/Mouse Y-Cable (2 PS/2) (p/n: 1700060202)
- 1 x VGA cable (p/n: 1701160150)
- 1 x Ethernet RJ45 conversion cable (p/n: 1701100202)
- 1 x IDE (HDD) cable (p/n: 1701440504)
- 4 x COM port cables (p/n: 1700100181)
- 1 x LPT port cable (p/n: 1700260250)
- 1 x Startup manual
- 1 x CD-ROM (Manual, Driver, utility)

Board Diagram



Ordering information

Part No.	CPU	On Board Memory	CRT	TTL	10/100	USB1.1	RS-232	RS422/485	LPT	FDD	CF	onboard Flash	KB/MS	PCI-104 connector	PC/104 connector	Thermal Solution	Operation Temp.	ETT service
PCM-4141FY-00A1E	STPC Atlas	64 MB	Yes	18bit	1	2	4	*Option	Yes	*Option	--	128 MB	Yes	--	Yes	Passive	-40 ~ +85° C	Phoebus

Optional Accessories

- USB cable (p/n:1703100260)
- RS-422/485 cable (p/n:1703040157)
- FFC Cable for Slim FDD (p/n:1701260125)
- Flat Cable for 5.25" & 3.5" FDD (p/n:1701340700)
- FDD Convert Board (p/n:9681000044)