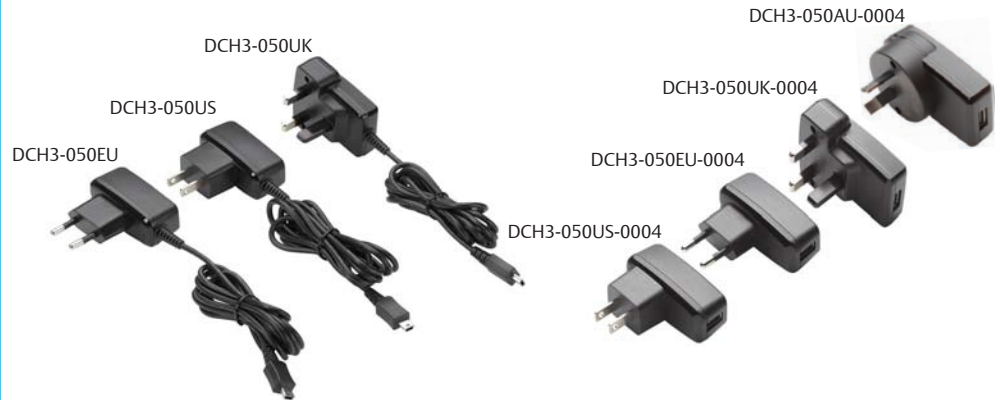


## DCH3 Series

3 Watts

**Total Power:** 3 Watts  
**Input Voltage:** 100 - 254 Vac  
**# of Outputs:** Single



## Special Features

- USB Switching wallmount power supply
- Universal AC input
- Available in multiple AC plug configurations
- CE Mark EMC & LVD
- Regulated output
- Overload and short circuit protection
- Constant voltage, constant current
- Energy Star Efficiency Level IV
- Built in EMI filter (CISPR 22 Class B)
- Available in various output connectors
- Mini USB 2.0 dc output plug - 0001
- Micro USB 2.0 dc output plug - 0002
- Cable less version - USB-A receptacle-0004

## Safety

- **cUL** 60950 / 6500
- **CSA** 60950
- **TUV** 60950
- **NEMKO** 60950
- **CB** Certificate and report
- **CE** EMC & LVD

## Electrical Specifications

| Input                          |   |
|--------------------------------|---|
| Input range:                   | 100 - 254 Vac (wide range)  |
| Frequency:                     | 47 - 63 Hz  |
| EMI/RFI:                       | FCC Part 15, Subpart B Class B & EN55022 (CISPR 22) Class B & EMC89/336/EEC                     |
| Safety ground leakage current: | 10 $\mu$ A @ 50/60 Hz, 230 Vac input  |
| Output                         |   |
| Voltage (Vo):                  | 5 V (4.75 - 5.25 V)   |
| Maximum Power (Po):            | 3 W   |
| Hold-up time:                  | 25 ms. typical at full load @ 115 Vac   |
| Overvoltage protection:        | Single fault 10.5 V max.<br>Latching type   |
| Overload protection:           | Output short circuit protection auto recover<br>Overload protected > 800 mA                     |
| Output:                        | DC cable with Mini USB 2.0 -0001 suffix and<br>Micro USB 2.0 -0002, Cableless USB-A-0004 suffix |
| Connector Pinout:              | Pin 1: +V<br>Pin 5: ground  |

## Environmental Specifications

|                                 |   |
|---------------------------------|---|
| Operating temperature:          | 0° to 45 °C ambient                     |
| Storage temperature:            | -20 °C to +70 °C                        |
| Electromagnetic susceptibility: | Designed to meet EN55082-1              |
| Humidity:                       | Operating; non-condensing 20% to 90% RH |
| Vibration:                      | Per IEC 60068-2-6                       |

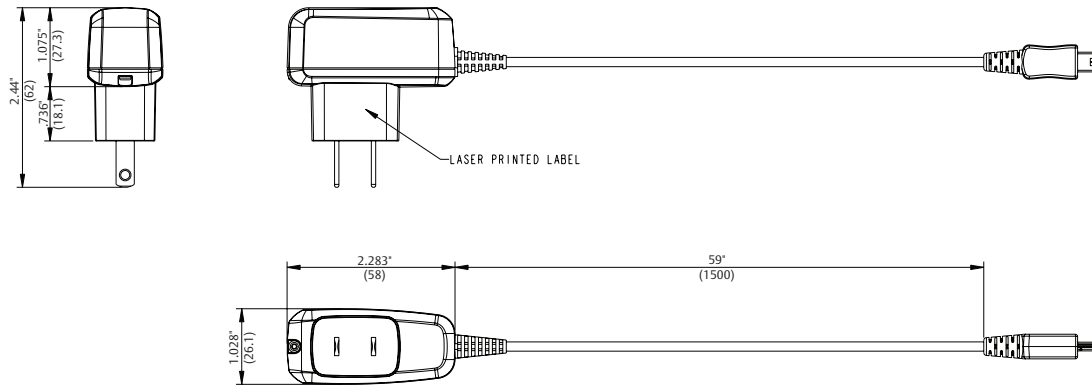
## Ordering Information

| Model Number    | Maximum Power | Output Voltage | Minimum Load | Maximum Load | Ripple P/P (PARD) <sup>1</sup> | Connector     |
|-----------------|---------------|----------------|--------------|--------------|--------------------------------|---------------|
| DCH3-050US-0001 | 3 W           | 5 V            | 0            | 0.55 A       | 200 mV                         | Mini USB 2.0  |
| DCH3-050EU-0001 | 3 W           | 5 V            | 0            | 0.55 A       | 200 mV                         | Mini USB 2.0  |
| DCH3-050UK-0001 | 3 W           | 5 V            | 0            | 0.55 A       | 200 mV                         | Mini USB 2.0  |
| DCH3-050US-0002 | 3 W           | 5 V            | 0            | 0.55 A       | 200 mV                         | Micro USB 2.0 |
| DCH3-050EU-0002 | 3 W           | 5 V            | 0            | 0.55 A       | 200 mV                         | Micro USB 2.0 |
| DCH3-050UK-0002 | 3 W           | 5 V            | 0            | 0.55 A       | 200 mV                         | Micro USB 2.0 |
| DCH3-050US-0004 | 3 W           | 5 V            | 0            | 0.55 A       | 200 mV                         | USB-A         |
| DCH3-050EU-0004 | 3 W           | 5 V            | 0            | 0.55 A       | 200 mV                         | USB-A         |
| DCH3-050UK-0004 | 3 W           | 5 V            | 0            | 0.55 A       | 200 mV                         | USB-A         |
| DCH3-050AU-0004 | 3 W           | 5 V            | 0            | 0.55 A       | 200 mV                         | USB-A         |

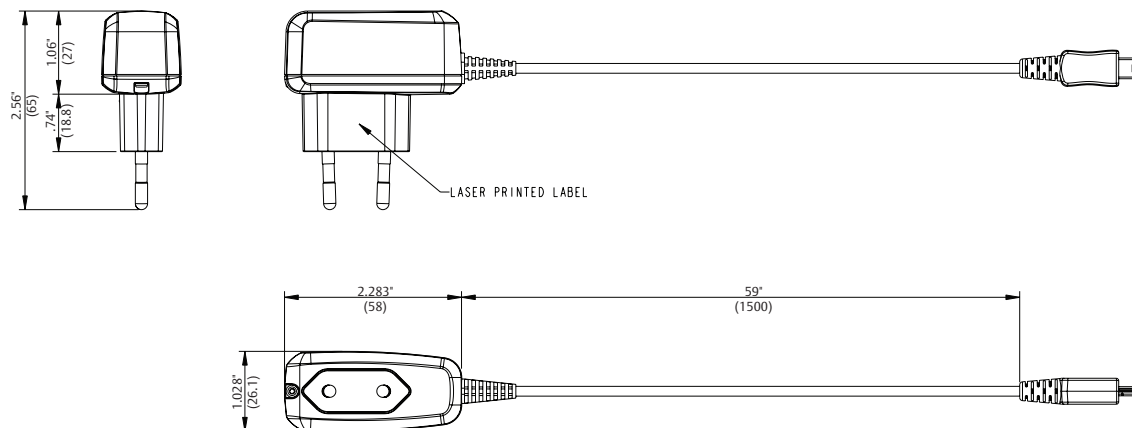
1. Peak-to-peak with 20 MHz bandwidth and 10  $\mu$ F (tantalum capacitor) in parallel with a 0.1  $\mu$ F capacitor at rated line voltage and load ranges.
2. Output should not be grounded for EMI purpose.

## Mechanical Drawing

### DCH3-050US - 0001 & 0002



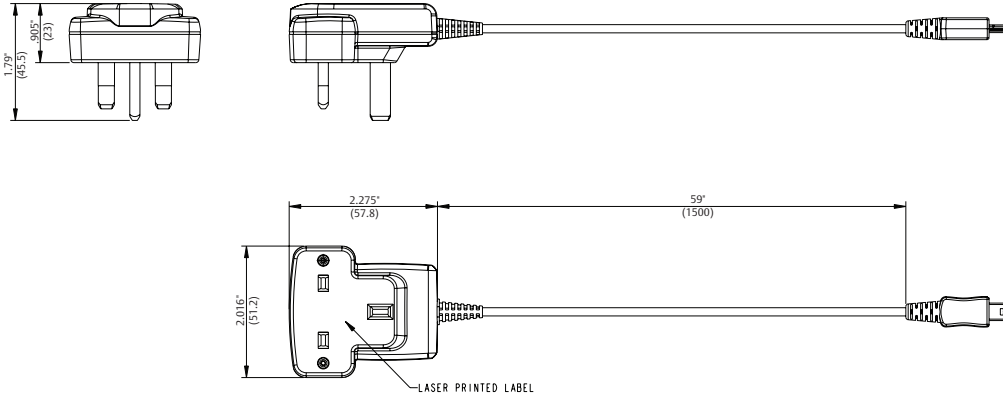
### DCH3-050EU - 0001 & -0002



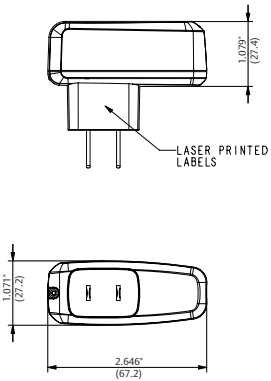
Mechanical Drawing

Rev.10.01.10\_110  
DCH3 Series  
3 of 4

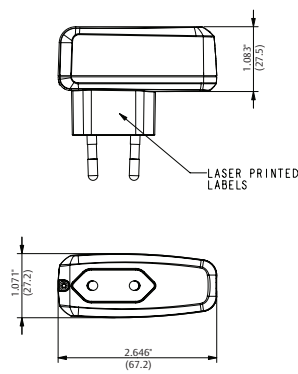
DCH3-050UK - 0001 & - 0002



DCH3-050US - 0004

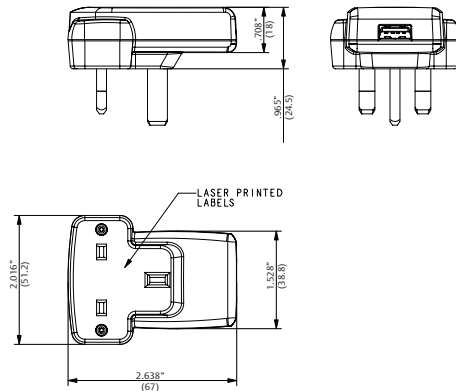


DCH3-050EU - 0004

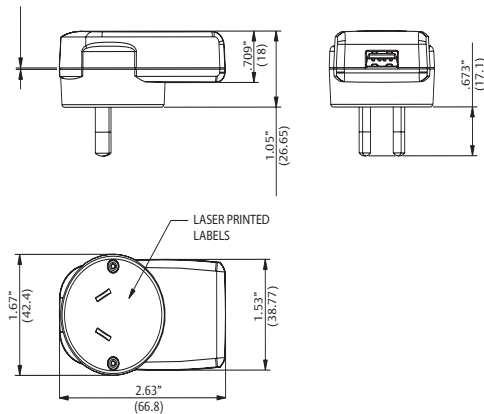


## Mechanical Drawing

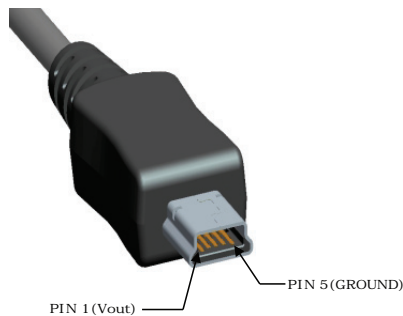
### DCH3-050UK - 0004



### DCH3-050AU - 0004



## Pin Assignments



#### Notes:

1. Specifications subject to change without notice.
2. All dimensions in inches (mm), tolerance is  $\pm .02$ ".
3. Warranty: 2 years
4. Weight: 0.144 lb. / 0.066kg.

### Americas

5810 Van Allen Way  
Carlsbad, CA 92008  
USA  
Telephone: +1 760 930 4600  
Facsimile: +1 760 930 0698

### Europe (UK)

Waterfront Business Park  
Merry Hill, Dudley  
West Midlands, DY5 1LX  
United Kingdom  
Telephone: +44 (0) 1384 842 211  
Facsimile: +44 (0) 1384 843 355

### Asia (HK)

14/F, Lu Plaza  
2 Wing Yip Street  
Kwun Tong, Kowloon  
Hong Kong  
Telephone: +852 2176 3333  
Facsimile: +852 2176 3888

For global contact, visit:

[www.Emerson.com/EmbeddedPower](http://www.Emerson.com/EmbeddedPower)  
[techsupport.embeddedpower@emerson.com](mailto:techsupport.embeddedpower@emerson.com)

While every precaution has been taken to ensure accuracy and completeness in this literature, Emerson Network Power assumes no responsibility, and disclaims all liability for damages resulting from use of this information or for any errors or omissions.

### Emerson Network Power.

The global leader in enabling  
business-critical continuity.

- AC Power
- Connectivity
- DC Power
- Embedded Computing
- **Embedded Power**
- Monitoring
- Outside Plant
- Power Switching & Controls
- Precision Cooling
- Racks & Integrated Cabinets
- Services
- Surge Protection

### EmersonNetworkPower.com

Emerson Network Power and the Emerson Network Power logo are trademarks and service marks of Emerson Electric Co.  
©2010 Emerson Electric Co.

# Mouser Electronics

Authorized Distributor

Click to View Pricing, Inventory, Delivery & Lifecycle Information:

[Emerson Network Power:](#)

[DCH3-050EU-0002](#) [DCH3-050US-0002](#) [DCH3-050UK-0002](#) [DCH3-050AU-0004](#) [DCH3-050EU-0004](#) [DCH3-050UK-0004](#)