

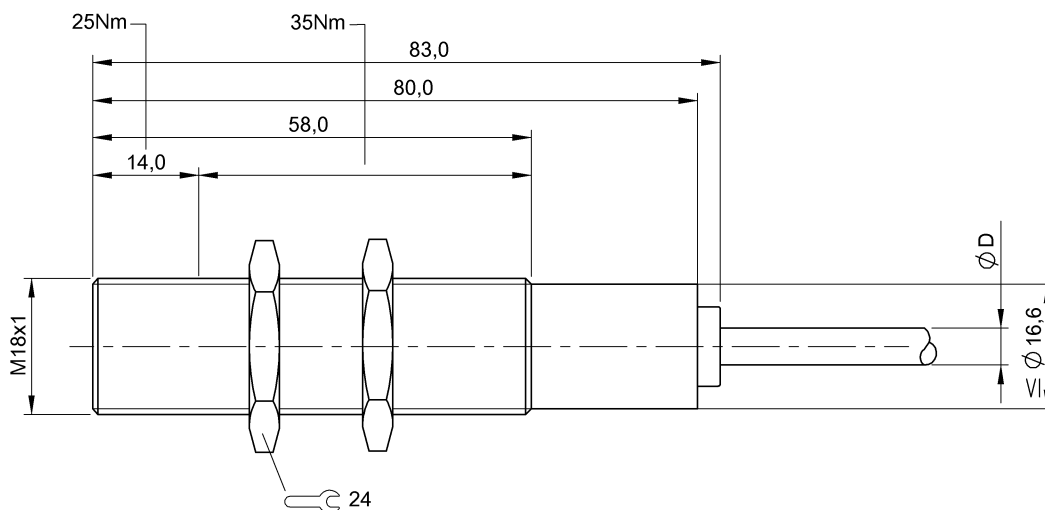
BAW 018-PB-1-K-03
Ordering code: BAW0001

Inductive distance sensor
M18

Cable, 3m, PVC
0,75...5 mm
Current, 2,7...8,6 mA

BALLUFF

sensors worldwide



Characteristic data

| | |
|---------------------------------------|------|
| Short-circuit protected | Yes |
| Degree of protection as per IEC 60529 | IP67 |
| Protected against polarity reversal | Yes |
| Power-on indicator | No |
| Protected against reverse connection | No |

Electrical data

| | |
|-------------------------------|-----------------------------|
| Operating voltage | |
| Output signal | Current, 2,7...8,6 mA |
| Connection type | Cable |
| Rated operating voltage Ue DC | 24 V |
| Switching output | PNP / Analog |
| Rated frequency, AC | DC |
| Rated insulation voltage Ui | 75 DC V |
| Electrical version | DC, direct current |
| Ripple max. (% of Ue) | 10 % |
| Switching function | Current falling on approach |
| Principle of operation | Inductive |
| Output current at SI min. | 2,7 mA |
| Output current at SI max. | 8,6 mA |
| Output current at Sa max. | 10 mA |
| Output current Ia at s = 0 mm | 1,5 mA |
| No-load current max. Io at Ue | 10 |

Mechanical data

| | |
|-------------------------|----------------------|
| Size | M18x1.0 |
| Number of conductors | 3 |
| Tightening torque max. | 25 Nm / 35 Nm |
| Cable length | 3 m |
| Conductor cross-section | 0.34 mm ² |

Mechanical installation condition

| | |
|--------------------------|--------------------------------|
| Shock rating | Flush (shielded) |
| Vibration rating | Shock, half-sinus, 30 gn, 11ms |
| Ambient temperature | 55 Hz, 1 mm ampl., 3x30 min |
| Sensing surface material | -10...60 °C |
| Housing material | PA 12 |
| Cable jacket material | Brass |
| Cable diameter D max. | PVC |
| Range | 4,6 mm |
| Free zone, distance 1 | > 4...6 mm |
| Free zone, distance 2a | 2 x d1 |
| Free zone, distance 2b | 0 mm |
| Free zone, distance 3 | 0 mm |
| Free zone, distance 5 | 3 x Sn |
| Cable short designation | 3 x d1 |
| Surface protection | LiYY-O |
| Degree of contamination | Nickel-plated |
| Repeat accuracy per BWN | 3 |
| Adjustment indicator | ±20.0 µm |
| Working Range | No |
| Linearity range | 0,75...5 mm |
| | 1,25...4 mm |

Basic data

| | |
|----------------|---------------|
| Basic standard | BWN PR 44 |
| | IEC 60947-5-2 |
| | IEC 60947-5-7 |

Remarks

Values referenced to axial approach of St 37 target. For other materials correction factors are applied.



BAW 018-PB-1-K-03
Ordering code: BAW0001
Inductive distance sensor
M18

Cable, 3m, PVC
0,75...5 mm
Current, 2,7...8,6 mA

BALLUFF
sensors worldwide

Definitions see main catalog

subject to change

