

OP-10 Universal open frame mounting



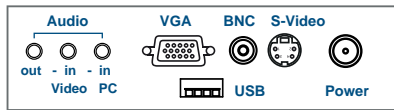
FC CE

Display Benefits

- ▶ 10.4" LCD with resolution 800 x 600
- ▶ Green LED-backlit panel technology
- ▶ Rugged construction against external impact

Options

- S-Video + BNC & Audio
- 10.4" Touchscreen : Capacitive, Resistive
- 48V, 24V or 12VDC power
- TV - PAL or NTSC



Standard I/O : VGA only

Options I/O : S-Video + BNC, Audio, TV, USB for touchscreen

Specifications

LCD Panel

Manufacturer :	AUO
Size (diagonal) :	10.4" TFT
Max resolution :	800 x 600
Brightness (cd/m2) :	230
Backlight :	LED
Colors :	262 K
Contrast ratio (typ) :	500 : 1
Viewing angle (H/V) :	160° x 130°
Active area (mm) :	211 x 158
MTBF (hrs) :	30,000
Signal input :	VGA

Weight

Net / Gross : 2.5 kgs (5.5 lbs) / 4.5 kgs (9.9 lbs)

Mounting :

Universal mount / VESA mount

Environmental

Operating :	0 to 50°C Degree
Storage :	-5 to 60°C Degree
Relative humidity :	5~90%, non-condensing
Shock :	10G acceleration (11 ms duration)
Vibration :	5~500Hz 1G RMS random vibration

Casing Color :

Dark grey (RAL 7037)

Regulatory :

FCC, CE

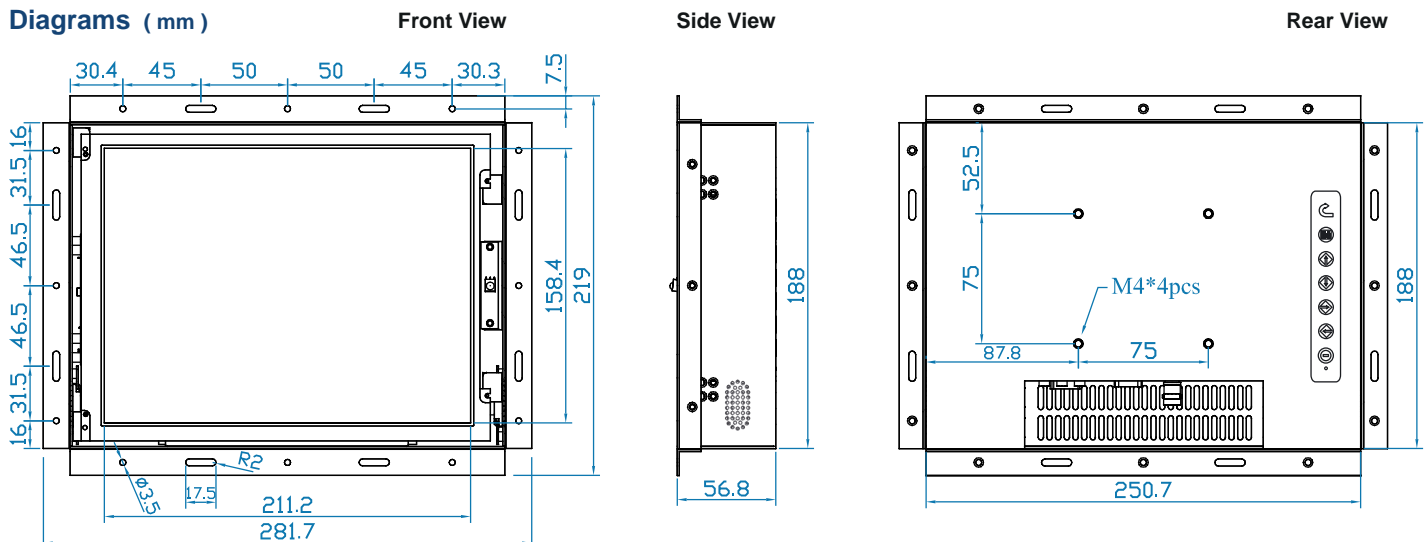
Power

Input :	Auto-sensing 100 to 240VAC, 50 / 60Hz
Consumption :	Max. 40 Watt, Standby 5 Watt

Dimensions

Product :	282 x 57 x 219 mm / 11.1 x 2.2 x 8.6 inch
Packing :	515 x 117 x 429 mm / 20.3 x 4.6 x 16.9 inch

Diagrams (mm)



AP-10 6mm aluminum front bezel



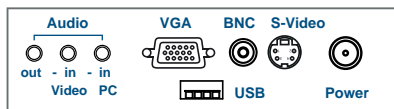
FC CE

Display Benefits

- ▶ 10.4" LCD with resolution 800 x 600
- ▶ Green LED-backlit panel technology
- ▶ Rugged construction against external impact
- ▶ Protective 3mm glass

Options

- S-Video + BNC & Audio
- 48V, 24V or 12VDC power
- 10.4" Touchscreen : Capacitive, Resistive
- TV - PAL or NTSC



Standard I/O : VGA only

Options I/O : S-Video + BNC, Audio, TV, USB for touchscreen

Specifications

LCD Panel

Manufacturer :	AUO
Size (diagonal) :	10.4" TFT
Max resolution :	800 x 600
Brightness (cd/m2) :	230
Backlight :	LED
Colors :	262 K
Contrast ratio (typ) :	500 : 1
Viewing angle (H/V) :	160° x 130°
Active area (mm) :	211 x 158
MTBF (hrs) :	30,000
Signal input :	VGA

Weight

Net / Gross : 2.5 kgs (5.5 lbs) / 4.5 kgs (9.9 lbs)

Mounting :

Panel mount / VESA mount

Environmental

Operating :	0 to 50°C Degree
Storage :	-5 to 60°C Degree
Relative humidity :	5~90%, non-condensing
Shock :	10G acceleration (11 ms duration)
Vibration :	5~500Hz 1G RMS random vibration

Casing Color :

Black front panel (RAL 9005)
Dark grey rear case (RAL 7037)

Regulatory :

FCC, CE

Power

Input :	Auto-sensing 100 to 240VAC, 50 / 60Hz
Consumption :	Max. 40 Watt, Standby 5 Watt

Dimensions

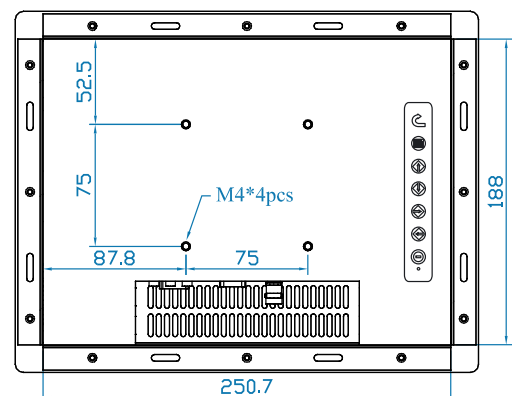
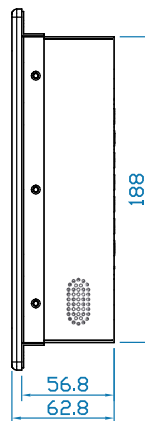
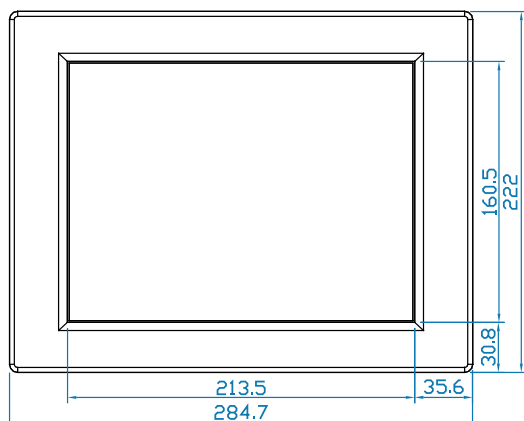
Product :	285 x 60 x 222 mm / 11.2 x 2.4 x 8.7 inch
Packing :	515 x 117 x 429 mm / 20.3 x 4.6 x 16.9 inch

Diagrams (mm)

Front View

Side View

Rear View



NAP-10 NEMA 4 / IP65 front protection

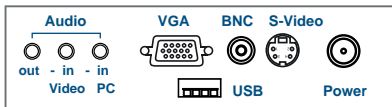


Display Benefits

- ▶ 10.4" LCD with resolution 800 x 600
- ▶ Green LED-backlit panel technology
- ▶ Rugged construction against external impact
- ▶ 6mm aluminum front bezel with protective glass

Options

- S-Video + BNC & Audio
- 48V, 24V or 12VDC power
- 10.4" Touchscreen : Capacitive, Resistive
- TV - PAL or NTSC



Standard I/O : VGA only

Options I/O : S-Video + BNC, Audio, TV, USB for touchscreen

Specifications

• LCD Panel

Manufacturer :	AUO
Size (diagonal) :	10.4" TFT
Max resolution :	800 x 600
Brightness (cd/m2) :	230
Backlight :	LED
Colors :	262 K
Contrast ratio (typ) :	500 : 1
Viewing angle (H/V) :	160° x 130°
Active area (mm) :	211 x 158
MTBF (hrs) :	30,000
Signal input :	VGA

• Weight

Net / Gross : 2.5 kgs (5.5 lbs) / 4.5 kgs (9.9 lbs)

• Mounting :

Panel mount / VESA mount

• Environmental

Operating :	0 to 50°C Degree
Storage :	-5 to 60°C Degree
Relative humidity :	5~90%, non-condensing
Shock :	10G acceleration (11 ms duration)
Vibration :	5~500Hz 1G RMS random vibration

• Casing Color :

Black front panel (RAL 9005)
Dark grey rear case (RAL 7037)

• Regulatory :

FCC, CE

• Power

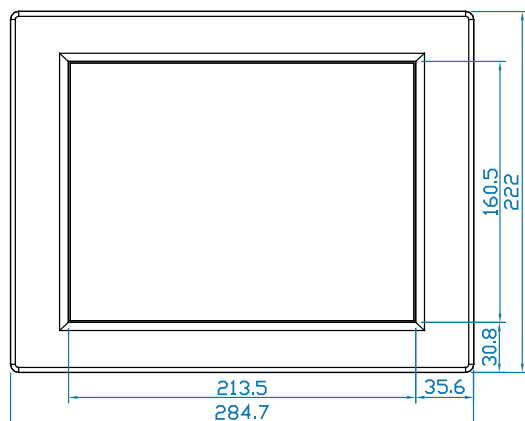
Input :	Auto-sensing 100 to 240VAC, 50 / 60Hz
Consumption :	Max. 40 Watt, Standby 5 Watt

• Dimensions

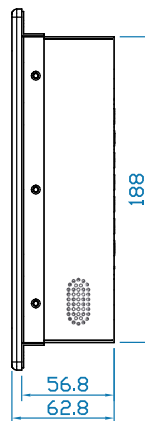
Product :	285 x 60 x 222 mm / 11.2 x 2.4 x 8.7 inch
Packing :	515 x 117 x 429 mm / 20.3 x 4.6 x 16.9 inch

Diagrams (mm)

Front View



Side View



Rear View

