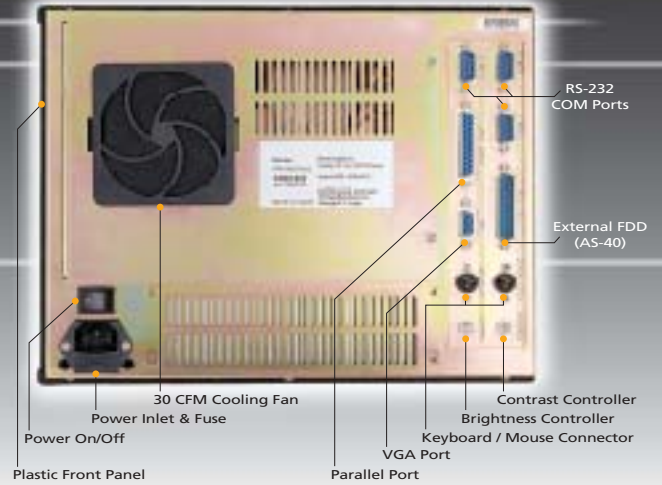


## 9.4" Industrial MMI Panel PC



▲ PMI-3000



### Features

- ≡ 9.4" VGA color DSTN LCD display
- ≡ Heavy-duty steel chassis and plastic front panel
- ≡ All-in-one SBC 386SX-40 compatible, 4MB DRAM
- ≡ Four 16C550 RS-232C port, one RS-232C port can be set as RS-422/485 also
- ≡ External FDD connector for AS-40
- ≡ Supports DiskOnChip flash disk socket
- ≡ PC/104 expansion connector
- ≡ 30 CFM cooling fan

### Specifications

- ≡ **Construction** : Heavy-duty steel chassis & plastic front panel
- ≡ **CPU** : 386SX-40
- ≡ **Front panel color** : PMS cool gray 4C
- ≡ **Memory** : 4MB DRAM on board
- ≡ **Display** : 9.4" VGA (640 x 480) color DSTN LCD
- ≡ **LCD/CRT controller** : C&T 65545 compatible, simultaneous LCD and CRT display. 1MB DRAM on board
- ≡ **I/O ports** :
  - 4 serial ports (three external and one internal) :
  - 3 x RS-232, 1 x RS-232/422/485
  - 1 parallel port (supports ECP/EPP)

### LCD Specifications

Model	PMI-3000
Display type	9.4" color DSTN LCD
Max. resolution	640 x 480
Max. colors	4096
Dot size (mm)	0.30 x 0.30
Luminance (cd/m <sup>2</sup> )	60
Viewing angle	60 (H)
	45 (V)
Operating temperature	0 ~ 50 (32~122 )
Brightness control	Yes
LCD MTBF (Hrs)	50,000
Back Light MTBF(Hrs)	10,000

- 1 PS/2 keyboard interface
- 1 PS/2 mouse interface
- ≡ **Disk Drive Housing** : 2.5" HDD & Expansion FDD connector for AS-40 (optional)
- ≡ **Mounting** : Panel mount
- ≡ **Power supply** : Universal 55W switching power supply
- ≡ **Dimension (W x H x D)** : 316 x 242 x 55mm (12.4" x 9.5" x 2.2")
- ≡ **Carton Dimension (W x H x D)** : 479 x 384 x 254mm (18.8" x 15.1" x 9.9")
- ≡ **Gross Weight** : 6.3Kg (13.9 lbs)

## Environmental Specifications

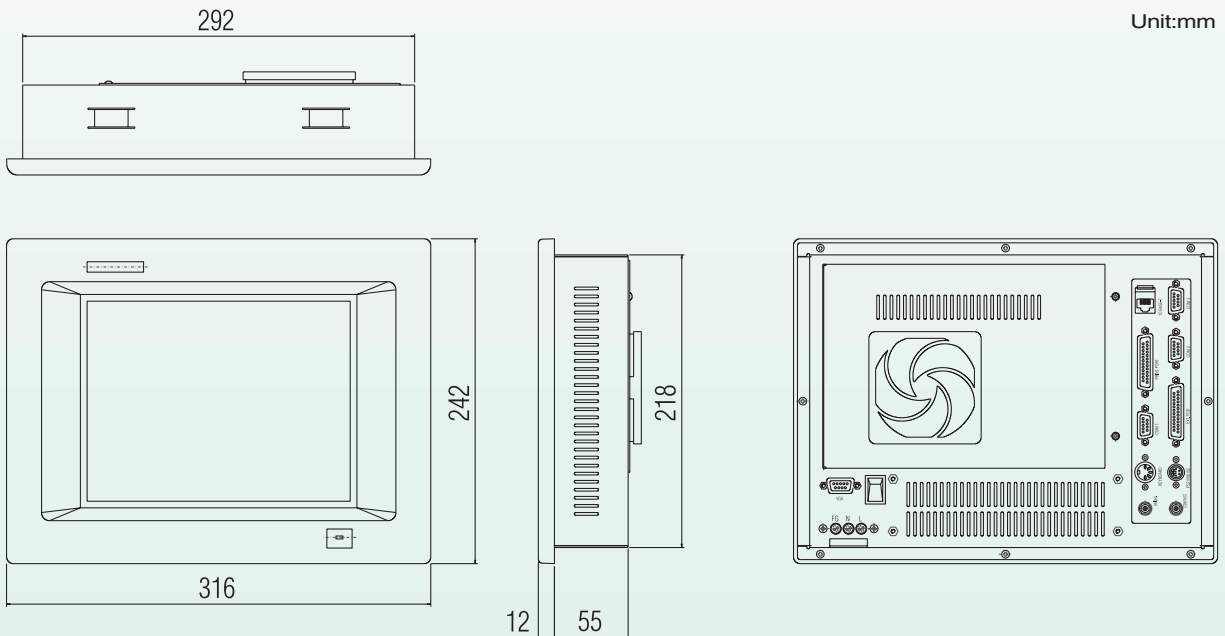
- ⇒ **Operating temperature** : 0 to 45 (32~113 )
- ⇒ **Storage temperature** : -20 to 60 (-4~140 )
- ⇒ **Relative humidity** : 10 to 95% @ 40 , non-condensing
- ⇒ **EMC** : CE / FCC Class A

## Touchscreen (optional)

- Type** : 4-wire, analog resistive
- Resolution** : 1024 x 1024
- Light transmission** : 68%  
( surface meets ASTM-D-3363-92A standard )
- Operating pressure** : 30-45 grams for finger, 10 grams for stylus. Contact bounce < 10ms
- Controller** : RS-232 interface
- OS support** : MS DOS

## Dimension

PMI-3000



Cutout Size : 295\*221mm