

Features

- Intel® Atom™ Z530P/Z510P Processor
- Intel® System Controller Hub US15WP
- DDR2 400/533 SODIMM, Max. 2 GB
- Gigabit Ethernet x 1
- CRT, 24-bit Single Channel LCD
- 2CH HD Audio
- SATA 3.0Gb/s x 1, Onboard SSD Up To 4GB
- USB2.0 x 6, COM x 4, 8-Bit Digital I/O
- Onboard 4/5/8-wire Resistive Touch Screen Controller
- Mini Card x 1
- +12V or +5V (Optional) Only Operation

Specifications

System	
Form Factor	3.5"
Processor	Intel® Atom™ Z530P 1.6GHz, Z510P 1.1GHz
System Memory	200-pin DDR2 SODIMM x 1, Max. 2 GB (DDR2 400/533)
Chipset	Intel® System Controller Hub US15WP
I/O Chipset	SMSC SCH3114-NU
Ethernet	Intel® 82574L 10/100/1000Base-TX, RJ-45 x 1
BIOS	Award, PLCC Type, 1MB ROM
Wake on LAN	Yes
Watchdog Timer	Generates a time-out system reset
H/W Status Monitoring	Supports power supply voltages and temperature monitoring
Expansion Interface	Mini Card x 1, LPC bus
Battery	Lithium battery
Power Requirement	+12V or +5V (optional), AT/ATX
Power Consumption (Typical)	Intel® Atom™ Z510, DDR2 667 2GB 0.71A@+12V
Board Size	5.75"(L) x 4"(W) (146mm x 101.6mm)
Gross Weight	0.88lb (0.4kg)
Operating Temperature	32°F ~ 140°F (0°C ~ 60°C)
Storage Temperature	-40°F ~ 176°F (-40°C ~ 80°C)
Operating Humidity	0% ~ 90% relative humidity, non-condensing
MTBF (Hours)	700,000
Display	
Supports CRT/LCD simultaneous/ dual view display	
Chipset	Intel® Atom™ Z5x0P integrated
Memory	Shared system memory up to 256MB
Resolutions	Up to 1280x1024 for CRT Up to 1366x768 for LCD
LCD Interface	Up to 24-bit single channel LVDS
I/O	
Storage	SATA 3.0Gb/s x 1, Onboard SST SSD up to 4GB
Serial Port	RS-232 x 3, RS-232/422/485 (auto flow) x 1
Universal Serial Bus	USB2.0 x 6
PS/2 Port	Keyboard x 1, Mouse x 1
Digital I/O	Supports 8-bit (Programmable)
Audio	Line-in, Line-out, Mic-in



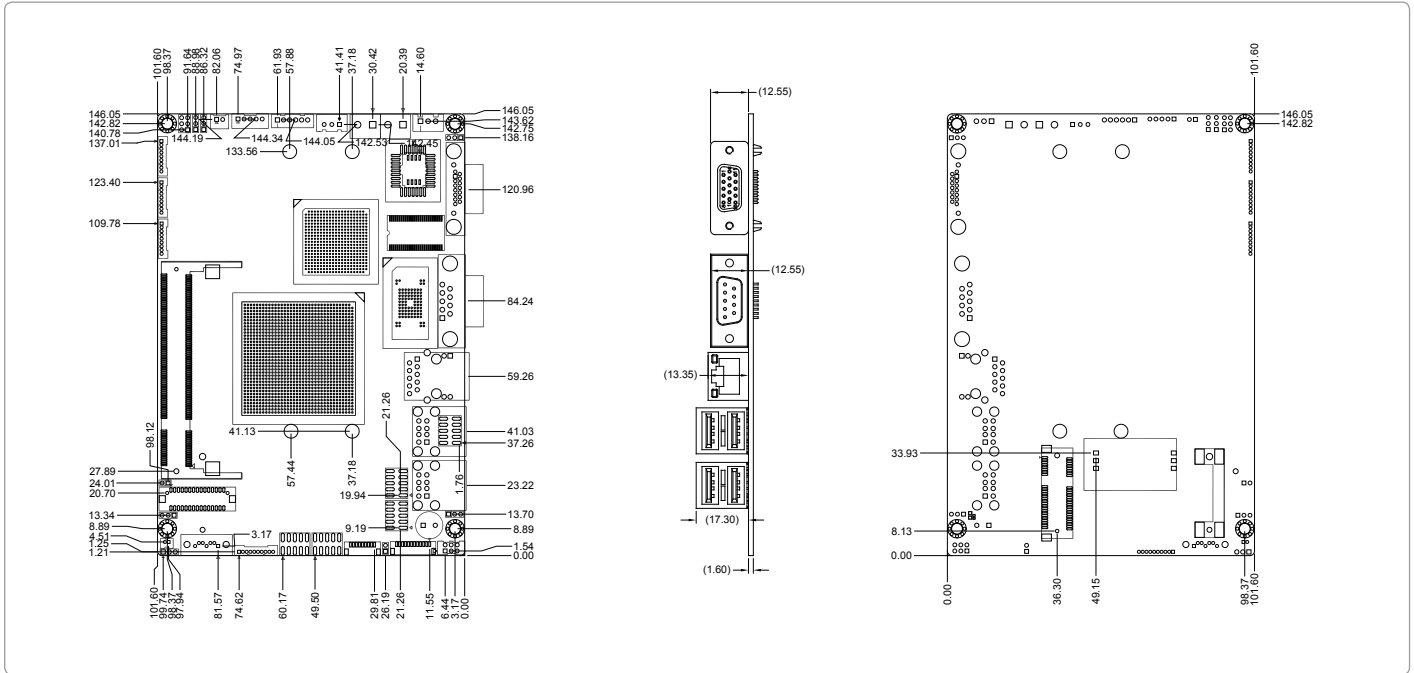
Packing List

- 1700060157
KB/Mouse Cable
- Product CD
- GENE-U15B

GENE-U15B

Dimension

Unit: mm



Ordering Information

Part Number	CPU	Fan/Fanless	Display	LVDS	Storage	LAN	USB	RS-232	RS-232/422/485	Expansion Slot	Power	Temp
TF-GENE-U15B-A10	Intel® Atom™ Z530	Fanless	CRT + LVDS	18/24b, 1CH	SATA x 1 4G SSD x 1	GbE x 1	6	3	1	Mini Card x 1	+12V AT/ATX	0°C ~ 60°C
TF-GENE-U15B-A10-01	Intel® Atom™ Z510	Fanless	CRT + LVDS	18/24b, 1CH	SATA x 1 4G SSD x 1	GbE x 1	6	3	1	Mini Card x 1	+12V AT/ATX	0°C ~ 60°C
TF-GENE-U15B-A10-02	Intel® Atom™ Z530	Fanless	CRT + LVDS	18/24b, 1CH	SATA x 1	GbE x 1	6	3	1	Mini Card x 1	+12V AT/ATX	0°C ~ 60°C
TF-GENE-U15B-A10-03	Intel® Atom™ Z510	Fanless	CRT + LVDS	18/24b, 1CH	SATA x 1	GbE x 1	6	3	1	Mini Card x 1	+12V AT/ATX	0°C ~ 60°C

Optional Accessories

- **1709100208**
USB Cable, Length 20cm
- **1701090150**
COM Port Cable, Length 15cm
- **1709100254**
Audio Cable, Length 25cm
- **1709070500**
SATA Cable, Length 50cm
- **1702002010**
Big 4P Power Input Cable for +12V Input, Length 10cm
- **1702150155**
Power Cable for 2.5" SATA Hard Disk, Length 15cm
- **170204010P**
Big 4P Power Input Cable for +5V Input, Length 10cm