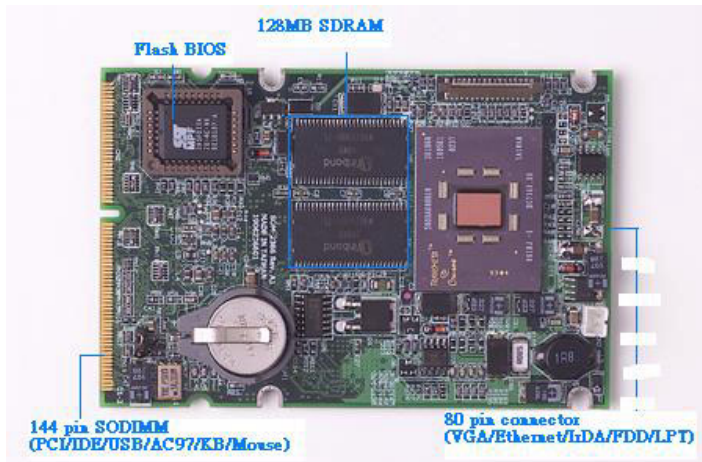


SOM-2366



Transmeta SOM-144 Module w/CPU, 128 MB RAM, Audio & LAN



Features

- Transmeta TM5800 on board (800 MHz)
- 128 MB SDRAM on board (optional 256 MB)
- USB & AC'97
- Two RS-232, IDE, LPT, FDD



System

CPU	On-board Transmeta TM5800-800 processor
System Memory	128 MB SDRAM on-board (up to 256 MB)
BIOS	Award 2 Mbit Flash BIOS
Extending BUS I/F	144-pin SODIMM socket provides PCI
Battery	Lithium 3 V/196 mAH

Ethernet

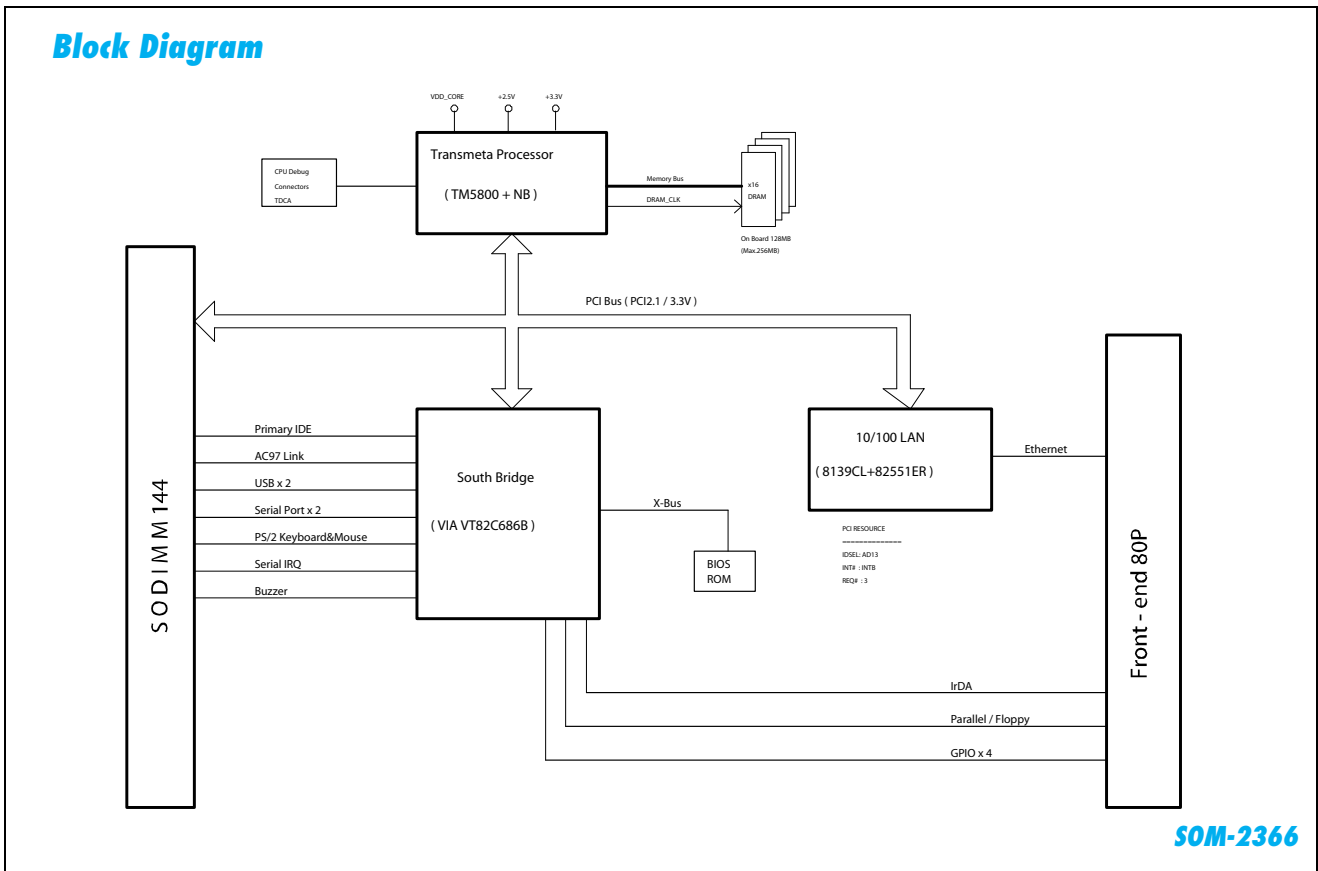
Chipset	RTL8139C (optional Intel® 82551ER)
Interface	IEEE 802.3u 100BASE-T Fast Ethernet compatible

I/O

MIO	1 x EIDE, 1 x FDD/LPT, 1 x K/B, 1 x Mouse, 2 x RS-232
USB	2 USB ports, USB 1.1 compliant
IrDA	115 Kbps Serial infrared(SIR) port
Audio	AC'97

Mechanical and Environmental

Dimensions (L x W)	68 x100 mm (3.4"x3.9")
Power supply Voltage	+5 V ± 5%
	Max: 5 V @ 3 A Typical: 5 V @ 1.5 A
Operating temperature	0 ~ 60° C (32~140° F)
Operating Humidity	0% ~ 90% Relative Humidity, noncondensing
Weight	0.05 kg (0.11lb)



Ordering Information

SOM-2366N-QEA1	Transmeta SOM-144 Module w/TM5800-800 CPU, 128 MB RAM, Audio & LAN
SOM-2366L-QEA1	Transmeta SOM-144 Module w/TM5800-800 CPU, 128 MB RAM & Audio
SOM-DB2300	SOM-144 Development Board