

Digital Signage Player



Intel® GME965-Based Book Size Signage Player

SI-96 Signature Book™

Designed for Signage Solution



Features

- Compact chassis for digital signage application
- Onboard Intel® Celeron® M Processor 550 / 2.0GHz, optional Socket P for Intel® Core™2 Duo T7500
- Segregated-flow thermal solution – keeps electronics free of dust and contaminants for reliability
- Low noise, magnetic levitation bearing fans

Specifications

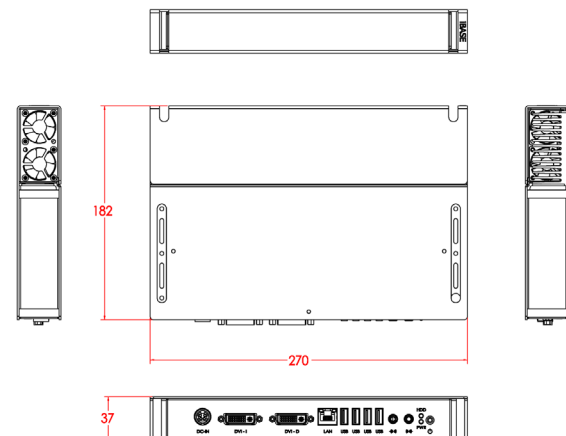
System Mainboard	IB826
CPU Type	Onboard Intel® Celeron® M Processor 550 / Socket P for Intel® Core™2 Duo T7500
System Speed	2.0GHz (Celeron® M 550) / 2.2GHz (T7500)
Memory	1x DDR2 SO-DIMM, Max. 2GB
LAN	1x Intel® 82574L Gigabit controller
Watchdog Timer	256 segments, 0, 1, 2...255 (sec/min)
Power Requirement	+12V@ 4.1A
Construction	Aluminum
Weight	1.8Kg (3.97lbs)
Chassis Color	Black
I/O Interface	1x DVI-I, 1x DVI-D, 4x USB ports, 1x RJ45 connectors, KB/MS connector, power button, DC-in jack
Storage	1x 2.5" HDD drive bay
Power Supply	80W power adaptor
Mounting	Designed with wall mounting holes
Dimensions	270mm(W) x 182mm(D) x 37mm(H)

Environmental

Operating Temperature	0°C~ 45°C (32°F~113°F)
Storage Temperature	-20° ~ 80°C (-4°F~176°F)
Relative Humidity	5~90% @ 45°C, (non-condensing)
Vibration	CFD: 5 grms / 5~500Hz / random operation HDD: 0.25 grms / 5~500Hz / random operation

Ordering Information

SI-96	Signage System with IB826 SBC, Intel® Celeron® M 550 (2.0GHz) CPU, 1GB DDR2, 2.5" 80GB HDD, 80W power adaptor
SI-96M	Signage System w/o CPU, RAM, HDD, w/ 80W power adaptor
SI-VESA	VESA mounting kit



Remarks:

* Specifications are subject to change without prior notice.

