

# PCLD-RMK-4U

## 19" Rackmount Adapters for Daughterboards



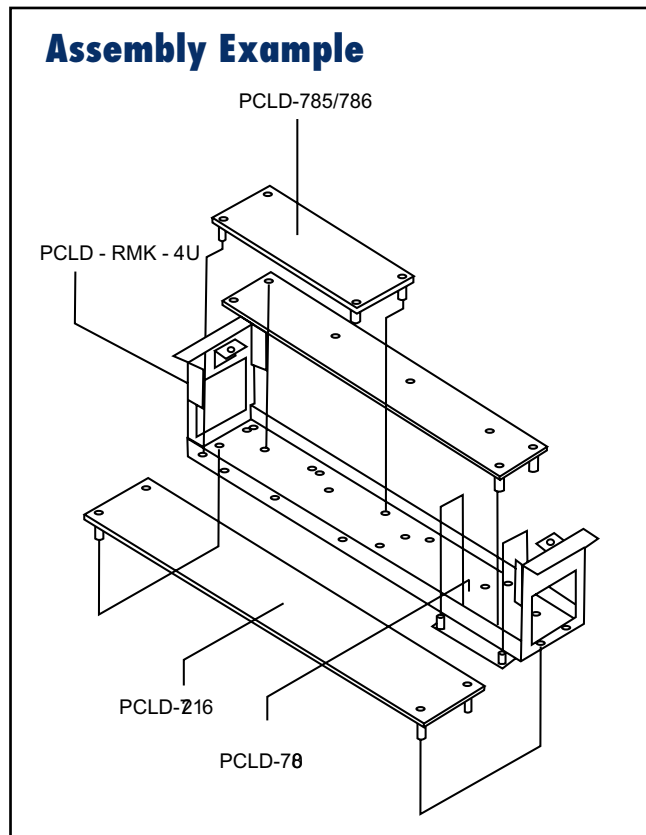
### Features

- Mounts in a standard 19" rack
- Occupies 4 units (1 unit = 44.4 mm) of rack space
- Supports PCLD-series daughterboards
- Acrylic cover protects against dust
- Dimensions: 480 mm (L) x 177 mm (W) x 120 mm (H) (18.9" x 7" x 4.7")

### Introduction

This metal chassis is a general-purpose adapter for mounting PCLD-series daughterboards in a standard 19" rack. An acrylic cover keeps dust out of the chassis and off your boards. Recessed mounting holes accommodate various PCLD daughterboards, such as the PCLD-7216, PCLD-782, PCLD-785, PCLD-780, PCLD-789D, PCLD-880, PCLD-8115, or PCLD-788.

### Assembly Example



### Ordering Information

- **PCLD-RMK-4U** 19" Rackmount Adapter for PCLD-series Daughterboards (4 units wide)

1	IPPC & AWS
2	TPC
3	FPM
4	ATM
5	DA&C
6	cPCI
7	ADAM-3000
8	eConnectivity
9	ICOM
10	Software
11	UNO-2000/3000
12	VBOX
13	ADAM-4000
14	ADAM-5000
15	ADAM-6000
16	ADAM-8000