

Features	
CHIPSET	Intel® Q67 PCH
CPU	Intel® Core™ i7/i5/i3 Intel® Pentium®
MEMORY	2 DDR3 DIMM up to 16GB
EXPANSION	1 PCIe x16
DISPLAY OUTPUTS	1 DVI-I (DVI-D signal), 1 VGA
LAN	2 Gigabit LAN
COM	4 COM
USB	8 USB 2.0
SATA	4 SATA (2 SATA 3.0, 2 SATA 2.0)
DIO	8-bit DIO

Specifications	
PROCESSOR	<ul style="list-style-type: none"> LGA 1155 socket for: <ul style="list-style-type: none"> Intel® Core™ i7-2600 (3.4GHz, 95W) Intel® Core™ i5-2400 (3.1GHz, 95W) Intel® Core™ i3-2120 (3.3GHz, 65W) Intel® Pentium® G850 New microarchitecture on 32nm process technology Intel® Advanced Vector Extensions (Intel® AVX) Instructions Intel® Turbo Boost Technology
CHIPSET	<ul style="list-style-type: none"> Intel® Q67 PCH (Platform Controller Hub)
SYSTEM MEMORY	<ul style="list-style-type: none"> Two 240-pin DDR3 DIMM sockets Supports DDR3 1066/1333MHz Supports up to 16GB system memory Supports dual channel memory interface DRAM device technologies: 1Gb, 2Gb and 4Gb DDR3 DRAM technologies are supported for x8 and x16 devices, unbuffered, non-ECC
EXPANSION SLOTS	<ul style="list-style-type: none"> 1 PCI Express Gen 2 x16 slot (PCIe 2.0)
ONBOARD GRAPHICS FEATURES	<ul style="list-style-type: none"> Intel® HD Graphics Display ports: DVI-I (DVI-D signal) and VGA DVI-I supports up to 1920x1200 @ 60Hz resolution VGA supports up to 2048x1536 @ 75Hz resolution Supports 6 Graphics Execution Units (EUs) Intel® Clear Video Technology DirectX Video Acceleration (DXVA) support for accelerating video processing
ONBOARD AUDIO FEATURES	<ul style="list-style-type: none"> Realtek ALC262 2-channel High Definition Audio High performance DACs with 100dB SNR ADCs with 90dB SNR Two stereo DACs support 24-bit PCM format for stereo audio playback Three stereo ADCs support 20-bit PCM format for multiple input streaming S/PDIF audio interface
ONBOARD LAN FEATURES	<ul style="list-style-type: none"> Intel® 82579LM with iAMT7.0 Gigabit Ethernet Phy Intel® 82574L PCI Express Gigabit Ethernet controller Integrated 10/100/1000 transceiver Fully compliant with IEEE 802.3, IEEE 802.3u, IEEE 802.3ab Supports wire management

- REAR PANEL I/O PORTS**
- 1 mini-DIN-6 PS/2 mouse port
 - 1 mini-DIN-6 PS/2 keyboard port
 - 2 DB-9 serial ports
 - Supports RS232/422/485 (RS232 and/or Power)
 - 1 DB-15 VGA port
 - 1 DVI-I port (DVI-D signal)
 - 2 RJ45 LAN ports
 - 4 USB 2.0/1.1 ports
 - Mic-in, line-in and line out jacks

- I/O CONNECTORS**
- 2 connectors for 4 external USB 2.0/1.1 ports
 - 2 connectors for 2 external RS232 serial ports
 - 1 8-bit Digital I/O connector
 - 1 Digital I/O power connector
 - 1 front audio connector for line-out and mic-in jacks
 - 1 S/PDIF connector
 - 4 Serial ATA ports
 - 1 24-pin ATX power connector
 - 1 4-pin 12V power connector
 - 1 chassis intrusion connector
 - 1 front panel connector
 - 2 fan connectors

- BIOS**
- AMI BIOS
 - 64Mbit SPI BIOS

- ENERGY EFFICIENT DESIGN**
- Supports ErP Lot6 power saving (optional)
 - Supports ACPI
 - System Power Management
 - Wake-On-Events include:
 - Wake-On-PS/2 KB/Mouse
 - Wake-On-USB KB/Mouse
 - Wake-On-LAN
 - RTC timer to power-on the system
 - CPU stopped clock control
 - AC power failure recovery

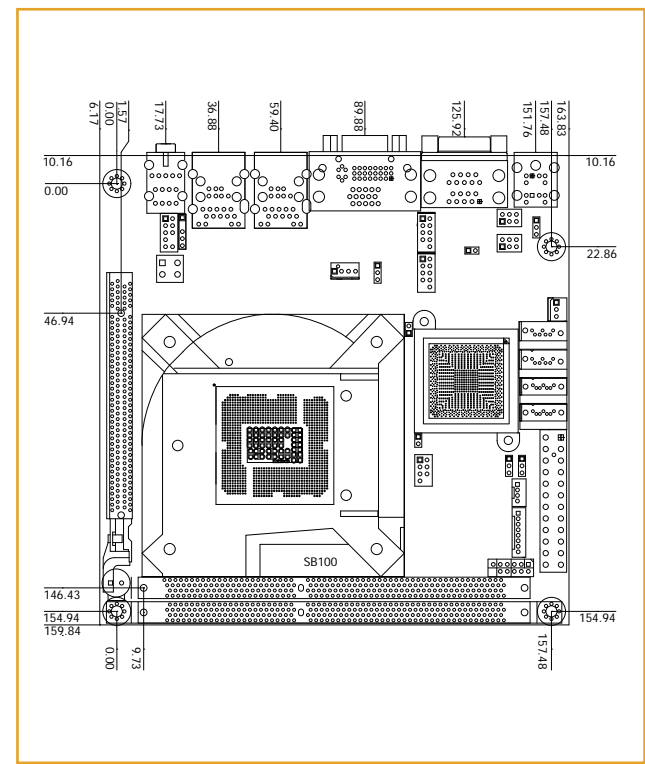
- DAMAGE FREE INTELLIGENCE**
- Monitors CPU/system temperature and overheat alarm
 - Monitors Vcore/5V/3.3V/V_DIMM/12V/5VSB voltages and failure alarm
 - Monitors CPU/system fan speed and failure alarm
 - Read back capability that displays temperature, voltage and fan speed
 - Watchdog timer function

- TEMPERATURE**
- 0°C to 60°C

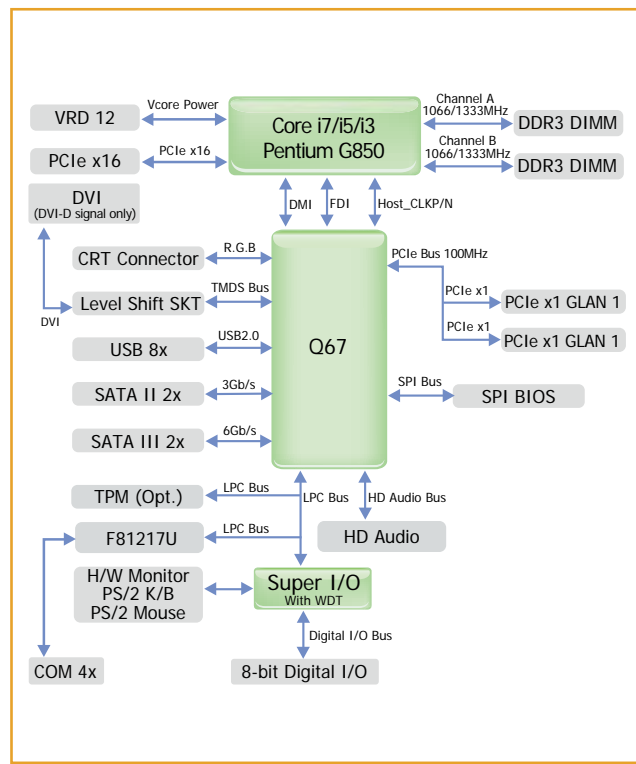
- HUMIDITY**
- 10% to 90%

- DIMENSIONS**
- Mini-ITX form factor
 - 170mm (6.7") x 170mm (6.7")

Mechanical Drawing



Block Diagram



- SERIAL ATA (SATA) INTERFACE**
- 4 Serial ATA ports
 - 2 SATA 2.0 ports with data transfer rate up to 3Gb/s
 - 2 SATA 3.0 ports with data transfer rate up to 6Gb/s
 - Integrated Advanced Host Controller Interface (AHCI) controller
 - Supports RAID 0, RAID 1, RAID 5 and RAID 10

- INTEL ACTIVE MANAGEMENT TECHNOLOGY (AMT)**
- Supports iAMT7.0
 - Out-of-band system access
 - Remote troubleshooting and recovery
 - Hardware-based agent presence checking
 - Proactive alerting
 - Remote hardware and software asset tracking

- TRUSTED PLATFORM MODULE (TPM) - optional**
- Provides a Trusted PC for secure transactions
 - Provides software license protection, enforcement and password protection

Packing List

- 1 SB100-NRM motherboard
- 2 Serial ATA data cables
- 2 Serial ATA power cables
- 2 USB port cables
- 1 COM port cable (with bracket)
- 1 I/O shield
- 1 DVD
- 1 QR (Quick Reference)

Optional Items

- USB port cable
- COM port cable
- Serial ATA data cable
- Serial ATA power cable
- PS/2 Keyboard/Mouse cable