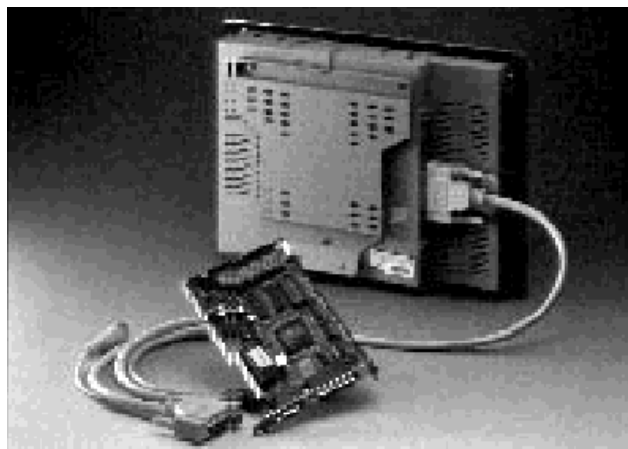
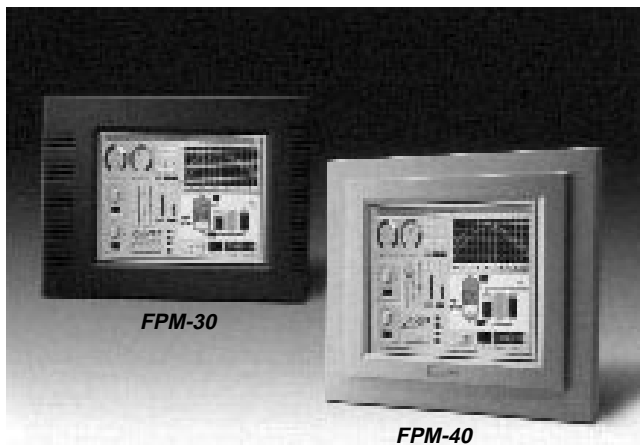


FPM-30/40

Industrial 10.4" LCD Flat Panel Monitor



Introduction

The FPM-30/40 series are 10.4" color TFT/CSTN LCD flat panel monitors for industrial applications. They are small and light, to fit anywhere and save space. Their aluminum/plastic front panels comply with NEMA 4/12 (IP52/56) standards.

The FPM-30/40 series comes with a video display card. A shielded 1.8/4.5 m cable is provided for remote operation.

Specifications

- **Front panel:** Plastic panel for FPM-40 and aluminum panel for FPM-30; both meet NEMA 4/12 (IP52/56)
- **Mounting:** Panel or wall mount
- **I/O port:** Keyboard connector
- **Control:** One contrast adjustment knob on rear side (FPM-30S/40S series only)
- **Dimensions (W x H x D):**
FPM-30: 330 x 242 x 50 mm (13" x 9.5" x 2")
FPM-40: 342 x 265 x 32 mm (13.5" x 10.4" x 1.3")
- **Weight:**
FPM-30: 3.5 kg (7.7 lb)
FPM-40: 2.6 kg (5.6 lb)

Flat Panel Display

Model	FPM-30CT/40T	FPM-30S/40S
Display type	10.4" TFT color LCD	10.4" CSTN LCD
Max. resolution	640 x 480	640 x 480
Max. colors	256 K colors	4096 colors
Dot size (mm)	0.33 x 0.33	0.33 x 0.33
Luminance (cd/m ²)	250	130
Viewing angle	90°	90°
Temperature	0 ~ 50° C	0 ~ 45° C
VR controller	N/A	Contrast
Simultaneous mode	Yes	Yes
LCD MTBF	50,000 hours	50,000 hours
Backlight MTBF	20,000 hours	25,000 hours

PCA-6653 ISA VGA Card (FPM-30)

- **Type:** Half-size 16-bit ISA-bus
- **Video chip:** Chips 65545
- **DRAM:** On-board 1 MB, frame buffer 512 KB (optional)
- **Max. resolution:** 1024 x 768 for both flat panels and CRTs
- **Connectors:** One DB-44 connector for flat panel display
One DB-15 connector for CRT monitor
- **Supports simultaneous CRT/LCD display**
- **Power consumption:** +5 V @ 1 A, max.

PCA-6654 PCI VGA Card (FPM-40)

- **Type:** Half-size 32-bit PCI-bus
- **Video chip:** Chips 65550
- **DRAM:** On-board 2 MB, frame buffer 512 KB (optional)
- **Max. resolution:** 1024 x 768 for both flat panels and CRTs
- **Connectors:** One MDR26 connector for flat panel display
One DB-15 connector for CRT monitor
- **Supports simultaneous CRT/LCD display**
- **Power consumption:** +5 V @ 1 A, max.

Touchscreen (Optional)

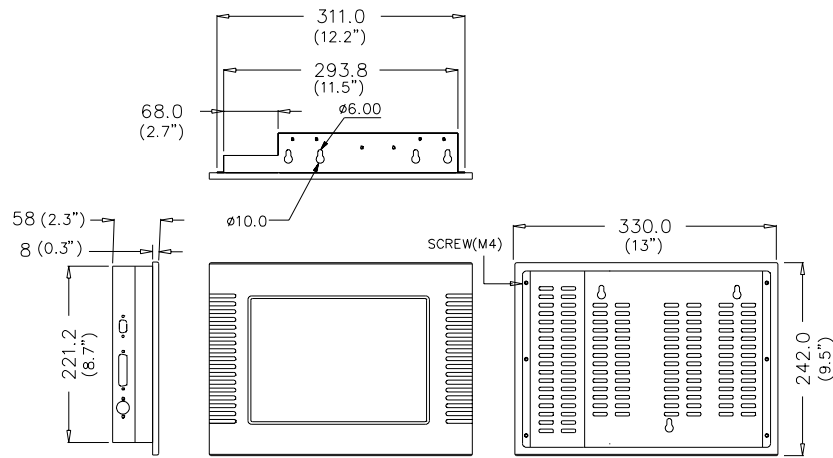
- **Type:** Analog resistive, continuous resolution
- **Light transmission:** 75%
- **Controller:** RS-232 interface
- **Power consumption:** +5 V @ 200 mA
- **Durability:** 35 million touch lifetime
- **Software driver:** Supports DOS, Windows 3.1/95/NT, OS/2

Note: All features and specifications are subject to change without notice.

Dimensions

FPM-30

Unit: mm

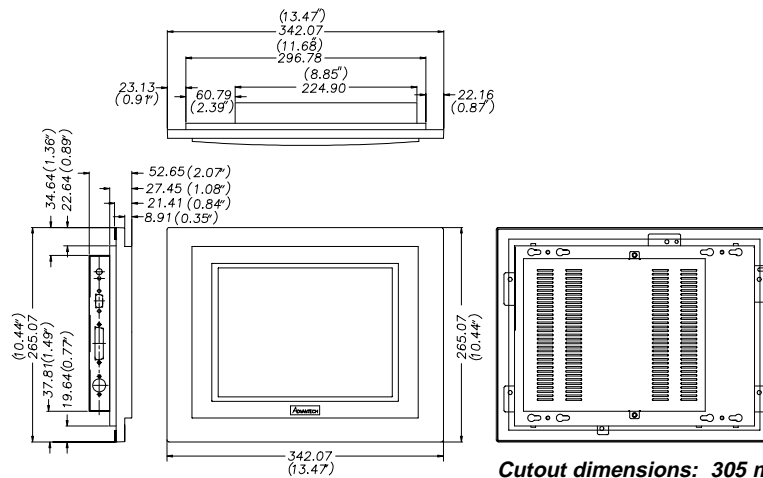


Cutout dimensions: 305 mm x 230 mm

Dimensions

FPM-40

Unit: mm



Cutout dimensions: 305 mm x 230 mm

Ordering Information

- FPM-30CT**
10.4" TFT, ISA VGA card and 1.8 m cable
- FPM-30S**
10.4" CSTN, ISA VGA card and 1.8 m cable
- FPM-30CT-T**
FPM-30CT and touchscreen (RS-232 interface)
- FPM-30S-T**
FPM-30S and touchscreen (RS-232 interface)
- FPM-40T**
10.4" TFT, PCI VGA card and 1.8 m cable
- FPM-40S**
10.4" CSTN, PCI VGA card and 1.8 m cable

- FPM-40T-T**
FPM-40T and touchscreen (RS-232 interface)
- FPM-40S-T**
FPM-40S and touchscreen (RS-232 interface)

Accessories

- 1700444500**
44-pin 4.5 m HD D-SUB shielded cable for FPM-30 only