

**12.1" 1D/2D Barcode Scanner AFOLUX Panel PC**

**AFL2D-12A(B)**

**AMD Geode LX-800 500 MHz Processor  
Intel® Atom™ Processor N270 1.6GHz Processor  
Intel® Celeron® M 1GHz 512KB Processor**



*12.1" Fanless AFOLUX Panel PC with built-in 1D and 2D Barcode scan engine allowing customers/employees to access instant item information*

**Modularized 1D/2D Barcode Scanner**

- Accurately decodes all 1D and 2D codes, even wrinkled, damaged or poorly printed
- 1.3 mega-pixel CMOS sensor captures high resolution images for decoding
- 50°/37.5° (H/V) large scanning area

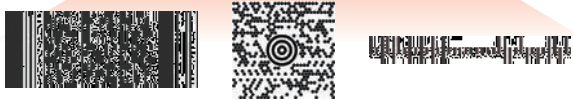


**1D/2D Code Reading**



Technology	1D Code	2D Code
Read Condition	20 to 25 characters	100 to about 2,000 characters

**50°/37.5° (H/V) Wide Scanning Area**



**Efficient Scanning Performance**

- 50°/37.5° (H/V) wide scanning area reads twice the area of typical scanner
- Area-scanning features non-direction reading drive scanning performance
- 25mm-310mm scanning distance



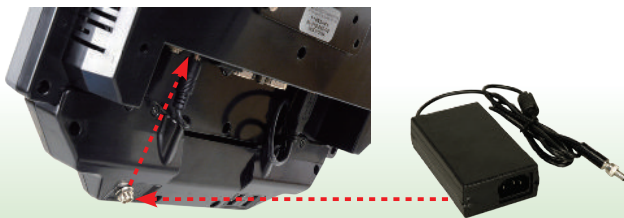
Vertical Scan

**No directional Limitation**



Horizontal Scan

**Quick Install**



**Single 12V DC power Input for complete system.**

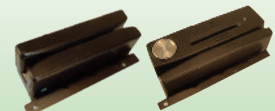
Input: 90VAC~264VAC, 50/60Hz  
Output: 12VDC



**Extra 2 USB ports Connect to accessory devices.**



Thermal Printer



Card Reader

## Easy Deployment with VESA Mount

### Price Checking/Promotion PPC

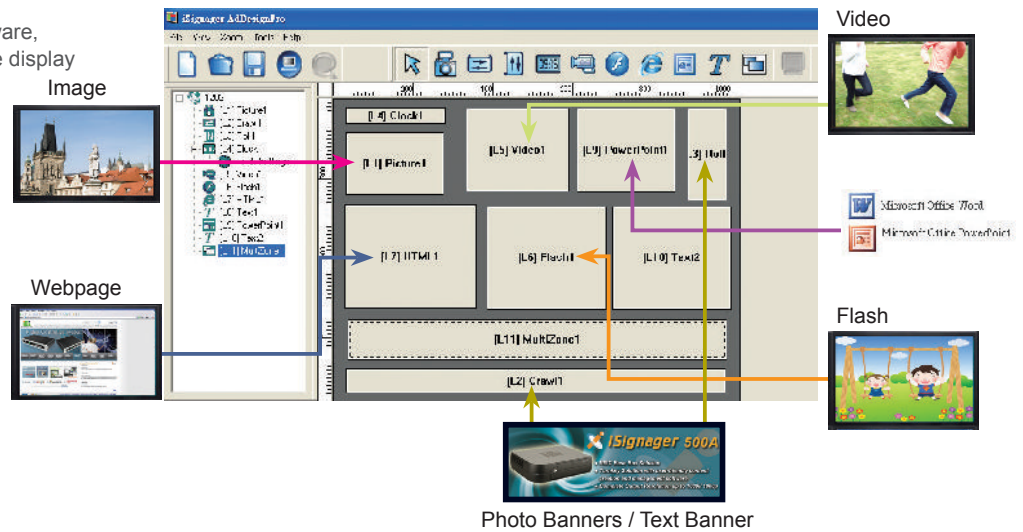
- Check price, obtain product related information
- Easy connections to USB devices, such as thermal printer and card reader
- Customer can access their loyalty card to see their accumulated credit and reward programs
- In DVD rental store, customers can watch movie preview by scanning DVD barcode
- Play multimedia video to attract attention of customers and make shopping more interesting



### X86 based Digital Signager

With the IEI content design software, you can easily create multi-zone display contents..

- Multiple media zone display
- Multiple media format support, including flash, picture, video, html, text/ photo banner, and audio
- Support multi format content display in one media block
- Content preview function



#### A. Desktop Stand



#### B. Wall Mount



#### C. VESA Standard Multi-mounting Stand

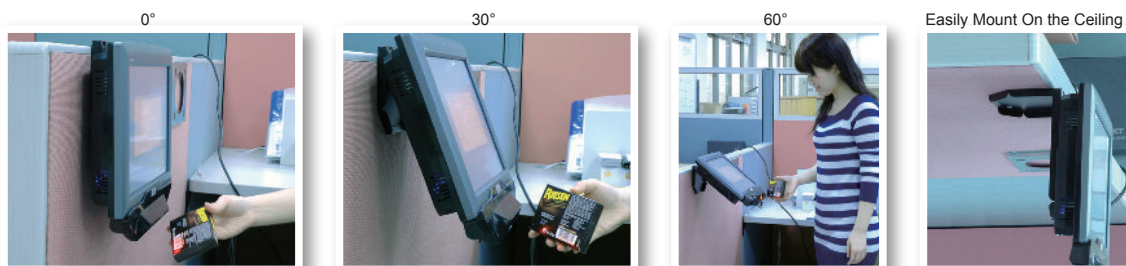
- 0° to 90° adjustable hinge design allows comfortable viewing
- Standard VESA 75/100 Compliance
- Heat dissipation holes designed
- Compact size easy to use and mount anywhere

**A.** VESA 75/100 Compliant with Height Adjustable  
VESA 75/100

**B.** Designed holes help to dissipate the system heat

**C.** 0° to 90° adjustable hinge design

#### Easily Mount On the Walls with Adjustable Hinge



## Specifications

Model	AFL2D-12A-LX	AFL2D-12BX(S)-LXPOS	AFL2D-12A-N270	AFL2D-12B-9103
LCD Size	12.1"			
Max Resolution	1024 x 768	1024 x 768 or 800 x 600	1024 x 768	
Brightness (cd/m <sup>2</sup> )	450	400 or 350	400	
Contrast Ratio	700:1	700:1 or 500:1	500:1	
LCD Color	262K			
Pixel Pitch (mm)	0.240(H) x 0.240(V)			
Viewing Angle (H-V)	160°/160°	160°/160° or 140°/120°	120°/100°	
Backlight MTBF	50000			
SBC Model	AFLMB-LX-800	AFLMB-LXPOS-R10	AFLMB-ATOM-R10	AFLMB-9103-R11
CPU	AMD LX 800 (500MHz)		Intel® Atom™ process N270 1.6GHz CPU	Intel® Celeron M process 1Gz 512KB Cache CPU
Chipset	AMD LX 800 + AMD CS5536		Intel® 945GSE + ICH7M	Intel® 910GMLC Chipset
RAM	Supports one 333MHz or 400MHz DDR SO-DIMM (1GB Max.)		Supports one 400MHz or 533MHz DDRII SO-DIMM (2GB Max.)	Supports one 400MHz DDRII SO-DIMM (2GB Max.)
I/O Ports	1 x RS-232 COM Port 1 x RS-232/422/485 COM port 2 x RJ-45 for 10/100Mbps LAN 2 x USB 2.0 1 x Power Switch 1 x Reset Button 1 x Power Jack 1 x Audio Port	2 x RS-232 COM Port (pin9 with RI, 5V or 12V switch selectable) 1 x RJ-45 for 10/100Mbps LAN 2 x USB 2.0 1 x Power Switch 1 x Reset Button 1 x Power Jack	1 x RS-232 COM Port 1 x RS-232/422/485 COM port 2 x RJ-45 for Giga LAN 2 x USB 2.0 1 x Power Switch 1 x Reset Button 1 x External SATA 1 x Audio Port 1 x Power Jack	1 x RS-232 COM Port 1 x RS-232/422/485 COM port 1 x RJ-45 for Giga LAN 4 x USB 2.0 1 x Power Switch 1 x Reset Button 1 x External SATA 1 x Audio Port 1 x Power Jack
SSD	CF Typell			
Watchdog Timer	Software programmable supports 1~255 sec. System reset			
Audio	AMP 1.5W + 1.5W (internal speaker)			
Expansion	1 x Wireless Lan 802.11 b/g Module (internal Mini PCI interface) 1 x Bluetooth Function (internal USB interface, Bluetooth V2.0)	1 x Wireless Lan 802.11 b/g Module (internal Mini PCI interface)	1 x Wireless Lan 802.11 b/g Module (internal PCIe mini card interface) 1 x Bluetooth Function (internal USB interface, Bluetooth V2.0)	
Drive Bay	1 x 2.5" IDE HDD bay or Optional HSUPA Module	1 x 2.5" IDE HDD bay	1 x 2.5" SATA HDD bay or Option HSUPA Module	
Optional HSUPA Module (support GSM 850, EGSM 900, DCS 1800 & 1900)	1 x HSUPA Mobile Module (USB Interface)	N/A	1 x HSUPA Mobile Module (USB Interface)	
Construction Front Panel	ABS + PC Plastic front frame			
LED Function	1 x LED on Front Panel for Power ON/OFF	1 x LED on Front Panel for Power ON/OFF 2 x LED on Rear cover for COM port 12V : RED / 5V : YELLOW / RI : GREEN	1 x Power ON/OFF LED on Front Panel	
Mounting	Wall, Stand and Arm (VESA 75mm x 75mm / 100mm x 100mm)			
Front Panel Color	Gray 7539U			
Dimension (WxHxD) (mm)	304 x 246 x 50	304 x 246 x 56	304 x 246 x 50	304 x 246 x 56
Operation Temperature (°C)	0°C ~ 50°C	0°C ~ 50°C	0°C ~40°C with SATA HDD -10°C ~50°C with CF Card or SATA interface 2.5" SSD HDD	0°C ~40°C : Fan mode 0°C ~45°C With CF Card or SATA interface 2.5" SSD HDD : Fanless
Storage Temperature (°C)	-20°C ~ 60°C			
N/G Weight	1.8 Kg			
IP Level	Front Frame IP64			
Safety & EMC	CE / FCC / CB / CCC			
Touch Screen	Resistive Type 5-Wire (Touch controller IC is on board) or Capacitive type touch screen without HDD bay			
Power Adapter	P/N: 63000-FSP0361AD101C-RS 36W Power Adapter Input: 90VAC~264VAC, 50/60Hz Output: 12VDC	P/N: 63000-FSP0481AD101C-RS 48W Power Adapter Input: 90VAC~264VAC, 50/60Hz Output: 12VDC	P/N: 63000-FSP0481AD101C-RS 48W Power Adapter Input: 90VAC~264VAC, 50/60Hz Output: 12VDC	P/N: 63000-FSP0601AD101C-RS 60W Power Adapter Input: 90VAC~264VAC, 50/60Hz Output: 12VDC
Power Requirement	12VDC			
Power Consumption	29W	29W	32W	41W

## Scanner Specifications

Model Name	AFL2D-12B-R10	
Image sensor	CMOS, 1.3 mega pixel	
Decode Capability	1D: Code 39, Code 93, Code 128, UPC/EAN/JAN, Code 2 of 5, Code 11, Codabar, MSI Plessey, GS1 DataBar, Telepen, Trioptic PDF: PDF417, MicroPDF417 2D: QR Code, Micro QR Code, Data Matrix, Aztec Code, Maxicode, Codablock, Composite Code, POSTNET, PLANET, UPU, Intelligent Mail, Canada Post, Australia Post, Japanese Post, Royal Mail RM4SCC, KIX Code *OCR: OCR-A, OCR-B, E-13B MICR *Note: Enable by purchasing decoding license	
Barcode Scanner	Depth of Field*	25 mm – 310 mm, (1 - 12.2") for 100% UPC
	Minimum Element Width, 1D*	0.102 mm (4 mil)
	Minimum Element Width, 2D*	0.191 mm (7.5 mil), Data Matrix
	Resolution	1280 x 960 pixels
	Print Contrast	20% minimum reflectance difference
	Scan Pattern	Area
	Focal Point	100 mm (3.94") from the imager face
	View Angles	50° (horizontal), 37.5° (vertical)
I/O Ports and Switches	2 x USB Ports 1 x Power Jack	
HSUPA Mobile Solution (Optional)	1 x HSUPA Mobile Module (USB Interface)	
Construction Material	ABS + PC Plastic	
Dimension (WxHxD) (mm)	267.5 x 71.5 x 48.5	
Operation Temperature (°C)	0°C ~40°C	
Storage Temperature (°C)	-20°C ~70°C	
Net Weight	0.2 Kg	
Power Requirement (With AFL-12B series)	P/N: 63000-FSP0481AD101C-RS 48W Power Adapter Input: 90VAC~264VAC, 50/60Hz Output: 12VDC	

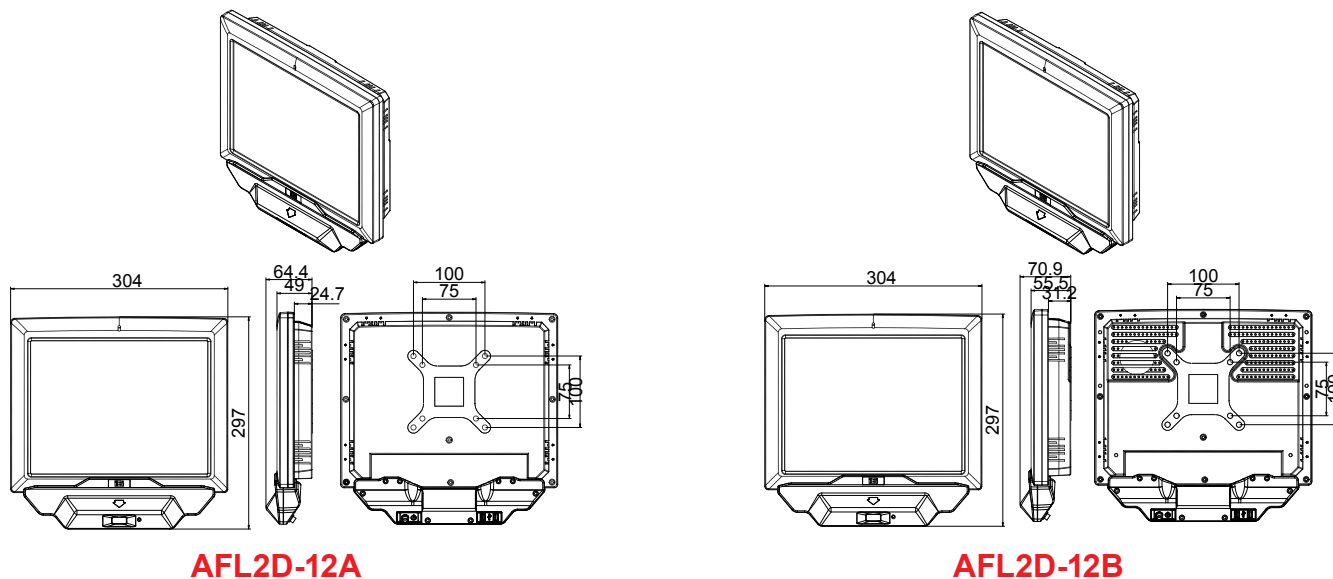
**Scan Ranges\***

**Bar Code Minimum Element**

0.127 mm (5 mil) 1D	0.254 mm (10 mil) 1D	0.330 mm (13 mil) 1D
0.127 mm (5 mil) PDF	0.254 mm (10 mil) PDF	0.254 mm (10 mil) DataMatrix
0.381 mm (15 mil) DataMatrix	0.508 mm (20 mil) DataMatrix	OCR-B (size 1; MR2) **

(mm) 0 50 100 150 200 250 300 350  
(") 0 2 4 6 8 10 12 14

## Dimensions (Unit: mm)



**AFL2D-12A**

**AFL2D-12B**

## Ordering Information

Number	Description
AFL2D-12A-LX/WT-R/256MB/**(HSUPA01)-R10	12.1" 450 cd/m <sup>2</sup> , XGA fanless panel PC with AMD LX-800 CPU, AT/ATX mode, 802.11b/g Wireless Module, Bluetooth Module, Touch screen and 256MB DDR RAM, 2D Barcode Scanner, R10, RoHS
AFL2D-12A-LX/WT-R/512MB/**(HSUPA01)-R10	12.1" 450 cd/m <sup>2</sup> , XGA fanless panel PC with AMD LX-800 CPU, AT/ATX mode, 802.11b/g Wireless Module, Bluetooth Module, Touch screen and 512MB DDR RAM, 2D Barcode Scanner, R10, RoHS
AFL2D-12BS-LXPOS/WT-R/256MB-R10	12.1" 350 cd/m <sup>2</sup> SVGA fanless PPC with AMD Geode LX 800 CPU, 256MB DDR RAM, 802.11 b/g wireless module and touch screen, without STAND, 2D Barcode Scanner, R10, RoHS
AFL2D-12BX-LXPOS/WT-R/256MB-R10	12.1" 400 cd/m <sup>2</sup> XGA fanless PPC with AMD Geode LX 800 CPU, 256MB DDR RAM, 802.11 b/g wireless module and touch screen, without STAND, 2D Barcode Scanner, R10, RoHS
AFL2D-12B-9103-10G/WT-R/1GB/**(HSUPA01)-R10	12.1" 400 cd/m <sup>2</sup> , XGA fanless panel PC with Celeron® M 1.0GHz 512K cache CPU, 1GB DDR2 RAM, 802.11 b/g wireless module, touch screen, Bluetooth, 2D Barcode Scanner, R10, RoHS
AFL2D-12A-N270/WT-R/1GB/**(HSUPA01)-R10	12.1" 400 cd/m <sup>2</sup> , XGA fanless panel PC with Intel® Atom™ N270 1.6GHz, 802.11b/g wireless module, bluetooth module, touch screen, 1GB DDR2 533, 2D Barcode Scanner, R10, RoHS

Note 1 : WiFi 802.11 draft N is upgradable.

Note 2 : Capacitive type touch screen is upgradable.

## Options

Model	AFL-12A-LX	AFL-12B-LXPOS	AFL-12A-N270	AFL-12B-9103
Wall mounting kit	AFLWK-12			
ARM	ARM-11-RS / ARM-31-RS			
Stand	STAND-A12 / STAND-POS12 / STAND-100-RS / STAND-150-RS			
VSTAND	VSTAND-A12			
9~30VDC to 12VDC converter module	IDD-930160-KIT			
OS: Win XPE	AFLCF-12-LX-XPE-R11	AFLCF-12-LXPOS-XPE	AFLCF-12-ATOM-XPE	AFLCF-12-9103-XPE
Hybrid Card Reader	AFLP-12AMSI-U			
Magnetic Stripe Reader	AFLP-12AMSR-U			
DC 12V Input UPS	AUPS-A10-R10 (7.4V 3800mAH)			
DC 9~36V Input UPS	AUPS-A20-R10 (7.4V 3800mAH)			

## ISMM Support Functions

	Voltage	Fan	Smart Fan	Temperature	DIO	WDT	Cash Drawer
AFL-12A-LX	V			V		V	
AFL-12B-LXPOS	V			V		V	V
AFL-12B-9103	V	V	V	V		V	
AFL-12A-ATOM	V			V		V	

## Packing List

Item	Part Number	Q'ty	Specification
Screws Pack	44013-030041-RS	4	M3;5mm
Power Adpater	63000-FSP0361AD101C-RS 63000-FSP0481AD101C-RS 63000-FSP0601AD101C-RS	1	90~264V AC; 12V DC; 36W (for LX) 90~264V AC; 12V DC; 48W (for LXPOS, ATOM) 90~264V AC; 12V DC; 60W (for 9103)
Power Cord	32000-000002-RS	1	1750mm; European Standard
Utilities CD	7B000-000087-RS	1	
Touch Pen	XTR104-0002-RS	1	