

INPUT CHARACTERISTICS:**MRT-6300/6320P**

- VOLTAGE: 90 ~ 264 VAC FULL RANGE
- FREQUENCY : 47 ~ 63 Hz
- INPUT CURRENT: 6.0 / 3.0 A FOR 115 / 230 VAC
- INRUSH CURRENT: 60A / 80A MAX. FOR 115 / 230 VAC PER POWER MODULE

OUTPUT CHARACTERISTICS:

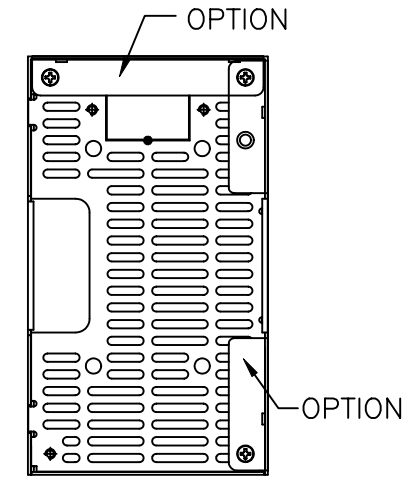
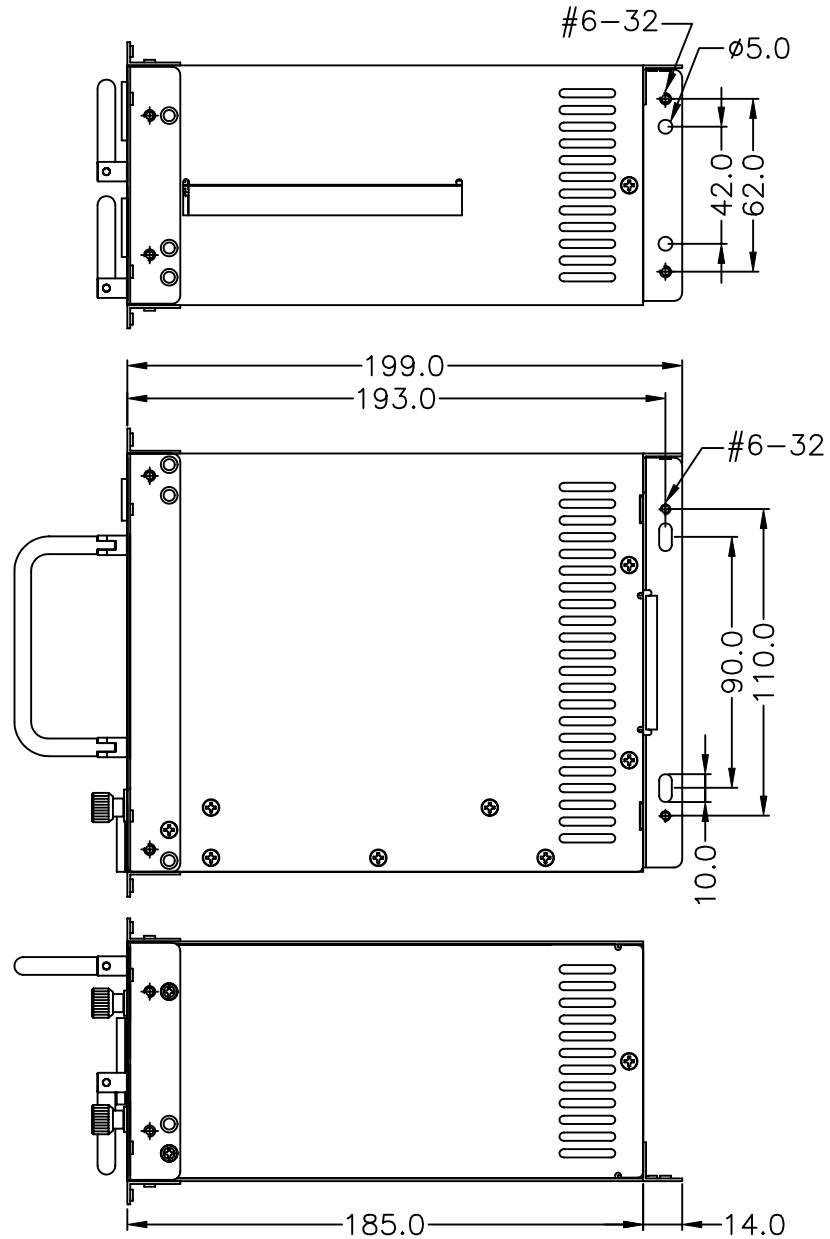
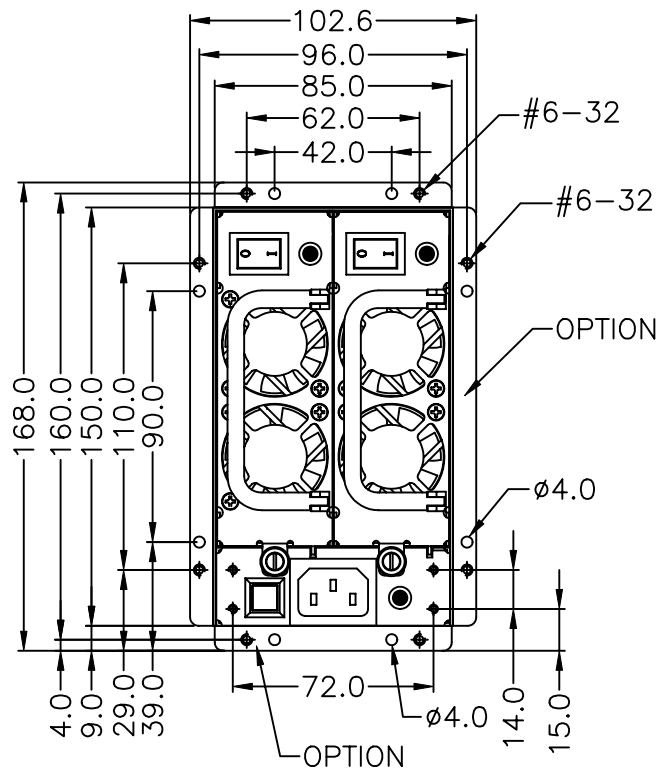
OUTPUT VOLTAGE	OUTPUT CURRENT			REGULATION		OUTPUT
	MIN.[A]	MAX.[A]	PEAK(A)	LOAD	LINE	RIPPLE & NOISE MAX. [P-P]
5V	3.0	25		± 5%	± 1%	50mV
12V	2	16	20	± 7%	± 1%	120mV
-5V	0.	0.5		±10%	± 1%	150mV
-12V	0.	0.5		±10%	± 1%	150mV
3.3V	1.0	18		± 5%	± 1%	50mV
+5VSB	0.1	2.0		± 5%	± 1%	60mV

REMARKS: TOTAL CURRENT OF +5V AND + 3.3V NOT EXCEED 35 A

TOTAL +5V AND 3.3V AND 12V POWER NOT EXCEED 282/302 W

- TEMPERATURE RANGE : OPERATING 0⁰C --- 40⁰C, STORAGE -20⁰C --- 70⁰C
- HOLD UP TIME: 16 ms MINIMUM AT FULL LOAD & 90 VAC INPUT VOLTAGE
- DIELECTRIC WITHSTAND: INPUT / OUTPUT 1500 VAC FOR 1 MINUTE
INPUT TO FRAME GROUND 1500 VAC FOR 1 MINUTE
- EFFICIENCY: 63% TYPICAL, AT FULL LOAD
- POWER GOOD SIGNAL: ON DELAY 100 ms TO 500 ms, OFF DELAY 1 ms
- OVER LOAD PROTECTION: 110 ~ 160% MAX.
OVER VOLTAGE PROTECTION:
+5V → 5.7V ~ 6.6V, 3.3V → 3.9 ~ 4.3V, 12V → 13.0 ~ 14.6V
- OVER CURRENT PROTECTION : 5V, 12V, 3.3V 130% +/- 20% AT FULL LOAD
-5V, -12V SHORT CIRCUIT
- EMI NOISE FILTER: FCC CLASS B, CISPR22 CLASS B
- SAFETY: UL 1950, CSA 22.2 NO/ 950, TÜV IEC 950
- REMOTE ON / OFF CONTROL
- FAULTY ALARM METHODS : LED, BUZZER, TTL SIGNAL
- HOT-SWAPPABLE / HOT-PLUGGABLE REDUNDANCY FUNCTION
- BALANCE LOAD SHARING DESIGN
- REMOTE SENSING DESIGN
- ISOLATION: BUILT-IN IN THE POWER MODULE
- MEET IEC-1000-3-2 CLASS D (ACTIVE PFC)
- DIMENSION: 86(H) X 150(W) X 185 (D) mm
- COOLING : TWO 40 mm DC FANS (MODULE)
- AC INLET IN EACH MODULE, SINGLE AC INLET -- OPTIONAL

修訂 REVISIONS		日期 DATE
版次 REV.	記號 DESCRIPTION	
A2	修改固定架型式	AUG-13-2002



WITH SINGLE AC INLET



品名: MODEL NO:	MRT外觀尺寸圖	
料號: PART NO:	圖號: DRAW NO:	槽號: FILE NO:
	MRTOMA00	MRTOMA00
單位: UNITS:	版次: REV. NO:	規格: SPEC.:
mm	A2	A1
	日期: DATE:	編號: SHEET:
	AUG-13-2002	OF

容許公差: TOLERANCES:	材料規格: MATERIAL:
.XXX ±.025	
.XX ±.100	
.X ±.250	
投影法: PROJECTION:	核准者: APPROVE BY:
第三角法	

日期: DATE:	日期: DATE:
日期: DATE:	日期: DATE:
繪圖者: DRAW BY:	日期: DATE:
	AUG-13-2002