

120mm**San Ace B120**

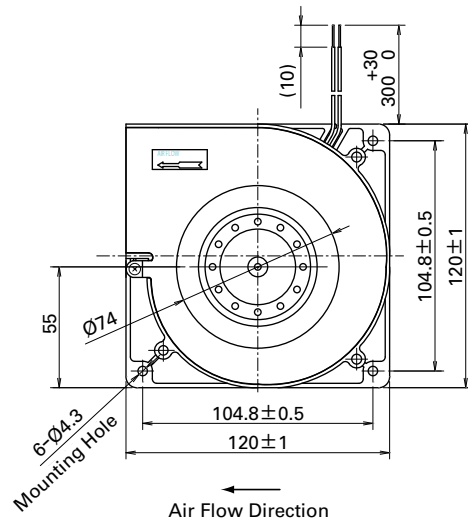
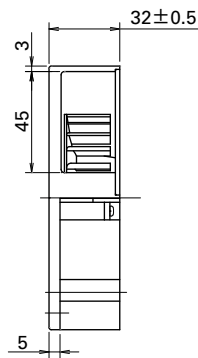
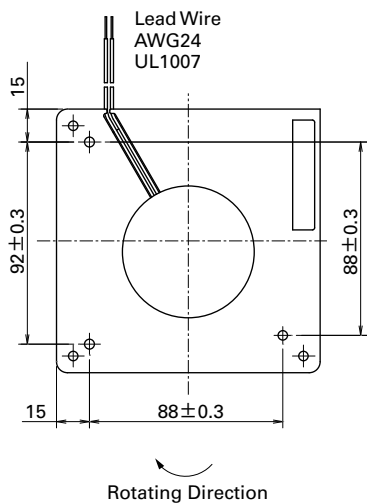
32mm thick

**General Specifications** Without sensor

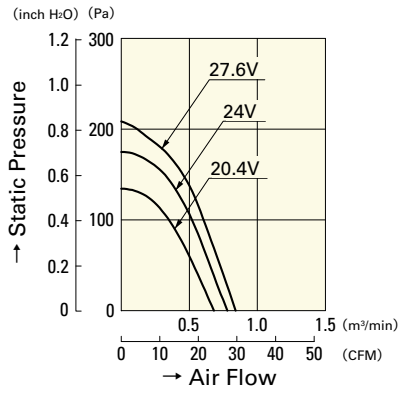
- Material.....Frame: Plastics (Flammability: UL94V-0),
Impeller:Plastics (Flammability: UL94V-1)
- Life ExpectancyVaries for each model(L10:Survival rate: 90% at 60°C ,
rated voltage,and continuously run in a free air state)
- Lead Wire⊕red ⊖black or blue
- Storage Temperature ...-30°C to +70°C (Non-condensing)

120mm×32mm [Mass : 270g]**Specifications**

Model No.	Rated Voltage [V]	Operating Voltage Range [V]	Rated Current [A]	Rated Input [W]	Rated Speed [min ⁻¹]	Air Flow [m ³ /min] [CFM]	Static Pressure [Pa] [inchH ₂ O]	SPL [dB(A)]	Operating Temperature [°C]	Life Expectancy [h]
109BF24HA2	24	20.4 to 27.6	0.3	7.2	2,400	0.78 27.5	175.4 0.704	52	- 10 to + 60	40,000

Dimensions (Unit : mm)

Air Flow - Static Pressure Characteristics



109BF24HA2

Blower 120mm

120mm