



Elite CR-33

Miniature DC-22GHz SPDT Switch

Failsafe

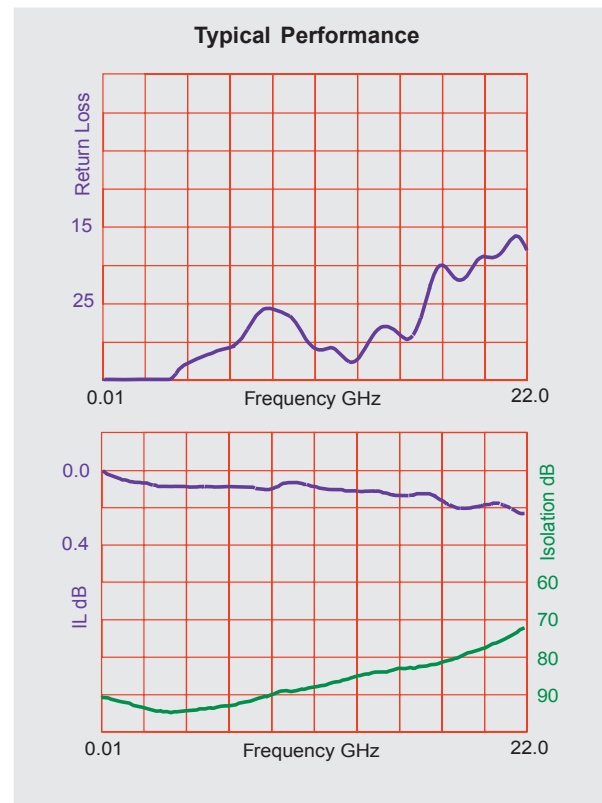
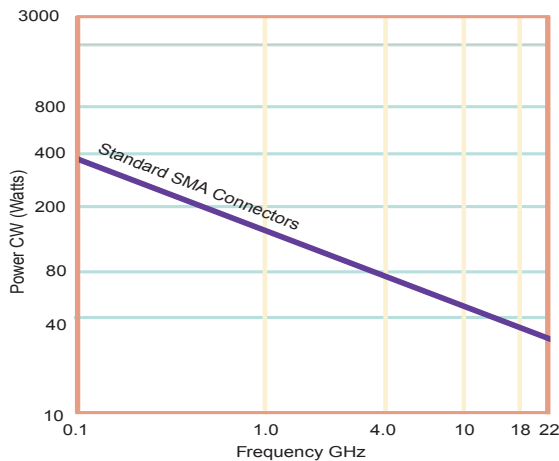
The CR-33 Switch is a broadband, SPDT, electromechanical, coaxial switch designed to switch a microwave signal from a common input to either of two outputs. The CR-33 Series has a higher operating Frequency and temperature range than the commercial CCR-33 series. The characteristic impedance is 50 Ohms. The switches are small with connector spacing compatible with SMA connectors.

The CR-33 series switch is offered with either a failsafe or latching actuator. This design is compatible with the two most common mounting hole patterns. The CR-33 series switch is interchangeable with a variety of switches.

Specifications

RF Contacts:	Break before make			
Actuator	Voltage (VDC) 20°C	12	15	28
	Current (mA)	200	160	90
Switching Time:	20 msec max			
Connectors:	SMA (f)			
Weight:	1.65 oz. max			
Temperature Range:	-55°C to +85°C (Operating)			
Shock:	MIL-STD-202 Method 213, Condition D (500G Non Operating)			
Vibration:	MIL-STD-202 Method 214, Condition D (10G RMS Non Operating)			
Humidity:	Moisture Seal Available			
MTBF:	7.3 Million Hours (MIL-HDBK-217F Fixed, 25°C, <1 Cycle per hour)			

RF Power Handling



Specifications

	DC-6 GHz	6-12 GHz	12-18 GHz	18-22 GHz
VSWR (max)	1.25:1	1.40:1	1.50:1	1.60:1
Insertion Loss (min)	0.20 dB	0.40 dB	0.50 dB	0.60 dB
Isolation (max)	70.0 dB	60.0 dB	60.0 dB	50.0 dB



Specifications subject to change without notice.

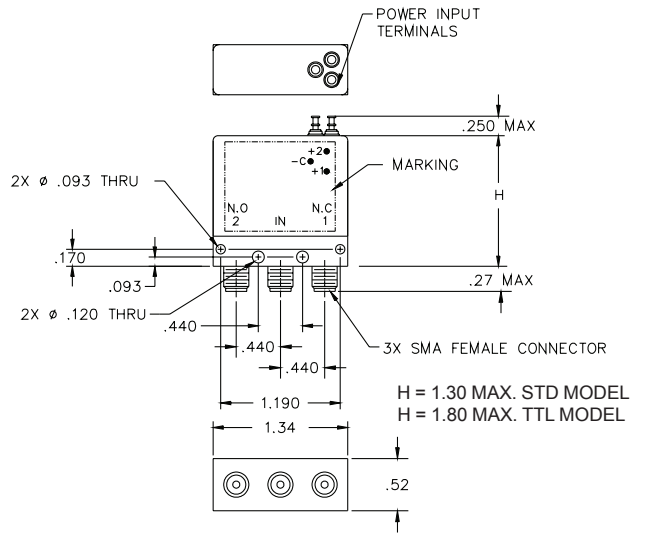
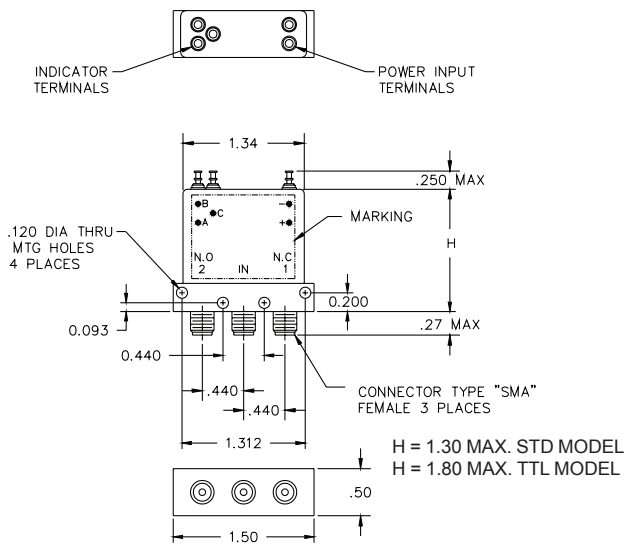
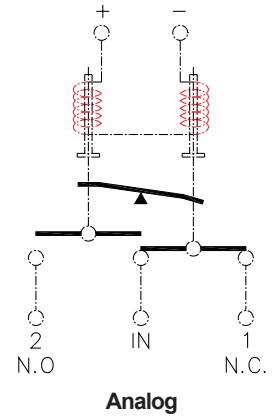
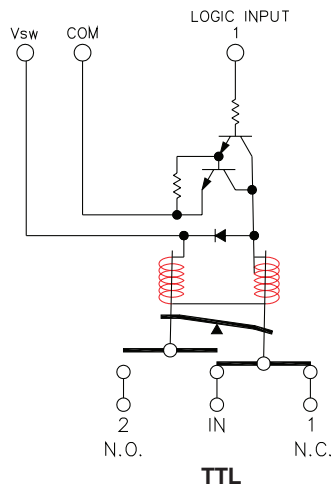
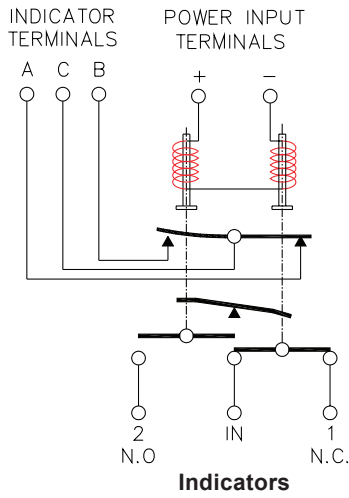
www.teledynecoax.com
email: coax@teledyne.com

Tel: (800) 351-7368
10/2007

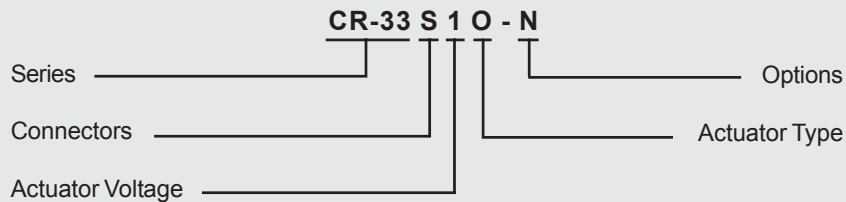
Elite CR-33

Miniature DC-22GHz SPDT Switch

Failsafe



Part Numbering System for CR-33 (Failsafe)



Connector
S: SMA Female

Actuator Voltage
1: 28Vdc Failsafe
2: 15Vdc Failsafe
3: 12Vdc Failsafe

Actuator Type
O: No Indicator Contacts
C: Indicator Contacts

Options
T: TTL Drivers with Diodes
N: Narrow Body
R: Positive + Common

For other options contact Factory



Specifications subject to change without notice.

www.teledynecoax.com
email: coax@teledyne.com

Tel: (800) 351-7368
10/2007