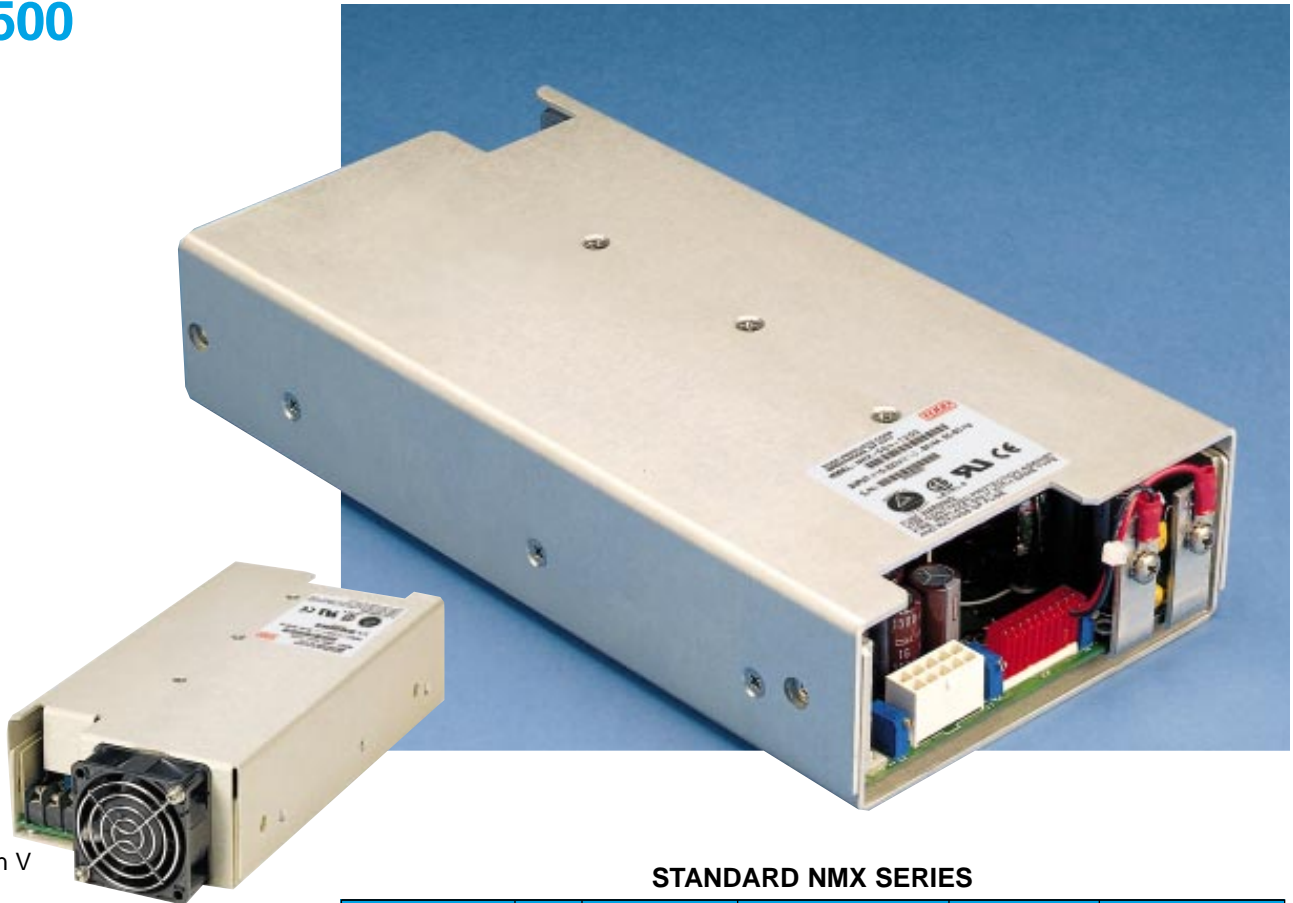


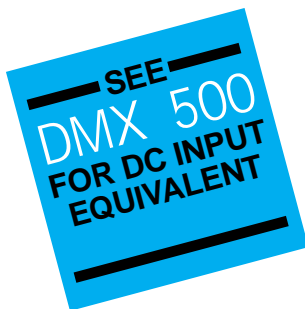
NMX-500



Option V

Featuring:

- Forced current sharing for N +1 redundancy
- Remote sense on outputs #1 and 2
- Universal AC input
- 0.99 typical power factor
- Dual converter design eliminates interaction between logic and auxiliary outputs
- Low ripple and noise on all outputs
- DC power good and AC power fail signals
- True remote inhibit
- Monotonic turn-on and turn-off



STANDARD NMX SERIES

MODEL	PWR	OUTPUT #1	OUTPUT #2	OUTPUT #3	OUTPUT #4
NMX-503-0512	500	+5V @ 75A	+12V @ 8/12A pk	-12V @ 4A	
NMX-504-1205	500	+5V @ 75A	+12V @ 8/12A pk	-12V @ 4A	5.2V @ 5A
NMX-504-1212	500	+5V @ 75A	+12V @ 8/12A pk	-12V @ 4A	12V @ 5A
NMX-504-1224	500	+5V @ 75A	+12V @ 8/12A pk	-12V @ 4A	24V @ 3A
NMX-504-1512	500	+5V @ 75A	+15V @ 4A	-15V @ 4A	12V @ 5A
NMX-504-1524	500	+5V @ 75A	+15V @ 4A	-15V @ 4A	24V @ 3A

MASS STORAGE NMX-502 SERIES*

MODEL	PWR	OUTPUT #1	OUTPUT #2
NMX-502-0512V	500	+5V @ 30A	+12V @ 30/40Apk

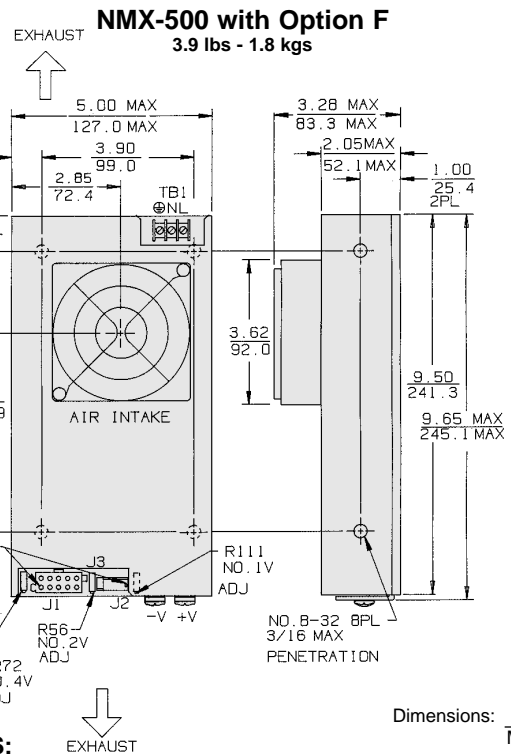
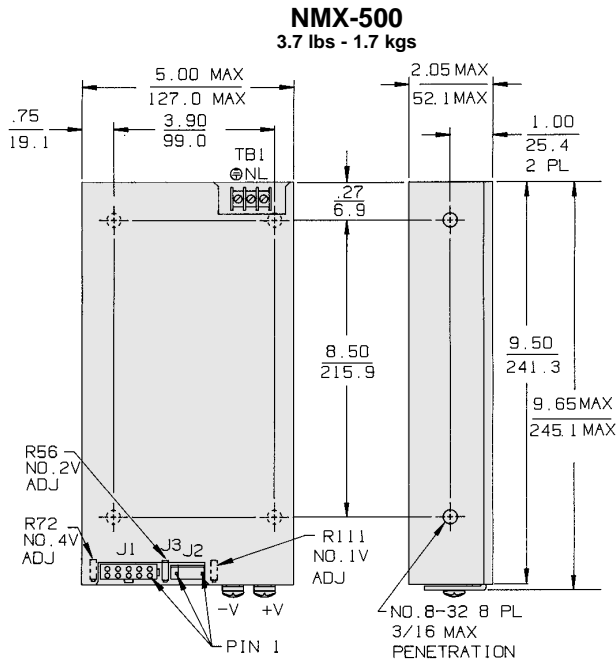
*Contact factory for detailed mechanical and electrical specifications. The drawings on opposite page do not represent this NMX product. The NMX-502 features dual bus-bar outputs and integrated "V" option.

The smallest, most capable 500 W power supply of its kind.

Overload-, overvoltage-, thermal-protection and integral covers are standard. All NMX power supplies can be ordered self-cooled with internal ball-bearing fans. The NMX 350 and NMX 500 are available without fans for use with system air cooling.

All outputs are OEM-adjustable and 3 V main outputs are available.

Integral RFI filters allow every NMX power supply to meet conducted emissions of EN55022 class B and FCC Class A. Compliance is also provided for international safety requirements including IEC 950 and the requirements of IEC 555-2 for harmonic line distortion.



SPECIFICATIONS: ALL MODELS

INPUT

AC Input: 90-264 Vac continuous range, 47 to 63 Hz. Internally fused for 10 A.
Power Factor: 0.99 typical at full load. Meets EN61000-3-2.
Inrush: Cold start AC current is less than 30 A at 115 Vac and 60 A at 230 Vac. Limited by thermistor.
Brownout Protection: Holds regulation to 85 Vac.
Holdup Time: 20 ms minimum after removal of power at full load.
Efficiency: 75% typical.
AC Power Fail: Provides TTL "0" 5 ms before output voltage goes out of regulation band upon loss of ac power.

OUTPUT

Adjustability: Outputs #1 and 2 user adjustable $\pm 5\%$ minimum. Output #3 tracks #2; initial accuracy $\pm 4\%$. Output #4 user adjustable $\pm 5\%$ minimum, or $+5\%$ only if voltage is 5.2 V
Line & Load Reg: Outputs #1, 2, and 4 hold $\pm 1\%$ over AC input range and 0 to 100% load change. Output #3 requires 20% minimum load on outputs #2 and 3 to hold $\pm 4\%$.
Ripple & Noise: Less than 1% p-p or 100 mV, whichever is greater.
Remote Sense (Outputs #1 and 2): Compensates for 250 mV total line drop. Open sense lead protection. (See Redundancy, below.)
Temperature Coefficient (Outputs #1, 2, and 4): 0.02% per degree C.
Stability: 0.1% over 8 hours after 30 minutes warm-up.
Transient Response (Outputs #1, 2, and 4): Output voltage returns to within 1% in less than 500 μ s for a 50% load change. Peak transient does not exceed 5%.
Overload Protection: All outputs are protected against overload and short circuit. Automatic recovery upon removal of fault.
Overvoltage Protection (Outputs #1 and 2): Protects load against power supply induced overvoltage. Trip point is factory set so that output voltage cannot exceed 136% of nominal.
Peak Output Current: Dual current ratings define continuous and peak currents. The peak current shown can be delivered for a maximum period of 30 seconds.
Remote Inhibit: Contact closure to the negative sense line or a TTL level "0" turns off DC outputs.
DC Power Good: Provides a TTL "1" open collector when output #1 is above 4.6 V nominal.
Redundancy: External OR-ing diodes and forced current sharing on output #1 provide "N+1" capability. Remote sense (+S) compensates for additional 0.6 V diode voltage drop. When the current sharing terminal is connected between units, current sharing remains within 10% of the unit's full output current rating. For hot swap applications see TMX 350.
Reverse Voltage: Protected against reverse voltage up to supply current rating.

ENVIRONMENTAL

Thermal Protection: Shuts down power supply if overheated. Automatic recovery.
Temperature Range: 0° to 50°C at full ratings.
Safety Agencies: Most models are approved to UL1950; CSA 22.2 #234; IEC 950 and TÜV EN60950, Class 1 SELV, CE 72/23/EEC/93/68EEC (low voltage directive).
Conducted RFI: Meets FCC Part 15, Subpart J, Class A; EN55022 Class B; CISPR 22 Class B.
Output Isolation: Isolated from ground 50 Vdc.
Cooling: 30 CFM required to achieve full ratings.

OPTIONS:

Option "F", Fan/Cover Assembly: Cover with integral ball-bearing fan provides proper cooling to achieve full ratings at 50°C ambient temperature. 2.05" dimension increases to 3.28".
Option "V", Fan/Cover Assembly: Low profile, end venting cover with integral ball-bearing fan. 2.05" dimension increases to 2.50", and 9.65" dimension increases to 11".
 Consult factory for other available options.

Dimensions: Inches
Millimeters

AC INPUT (90-264 VAC Continuous Range)

FUNCTION	115 VAC	230 VAC	CONNECTOR
TB1- (L)	Line	Line 1	Barrier strip #6-32 screws 3/8" centers
TB1- (N)	Neutral	Line 2	
TB1- (G)	Safety Ground	Safety Ground	

DC OUTPUT

FUNCTION	LOCATION	NOTES	CONNECTOR
Output #1	Terminal marked +V	Main Output	Bus bars #8-32 screws
	Terminal marked -V	Rtn (Common)	
Output #2	J1-5, 10		AMP #770743-1 mates with connector #770580-1 with sockets #171639-1 (AWG #20 to #16)
	J1-4, 9	Rtn (Common)	
Output #3	J1-3, 8		
	J1-4, 9	Rtn (Common)	
Output #4	J1-2, 7	(+) Floating Output	
	J1-1, 6	(-) Floating Output	

STATUS AND CONTROL

FUNCTION	LOCATION	NOTES	CONNECTOR
Remote Sense	J2-2	Output #1 Sense	AMP MTA type #640456-8 pin header (locking)
	J2-1	Output #1 Sense Rtn	
	J2-8	Output #2 Sense	
	J2-7	Output #2 Sense Rtn	
DC Power Good	J2-3	Reference to Common	
AC Power Fail	J2-4		
Inhibit	J2-5		
Current Share	J2-6		
Aux. Fan Voltage (Not available with "V" or "F" options)	J3-1	+12V @ 0.5A Output	AMP MTA type #640456-2 pin header (locking)
	J3-2	Rtn (Common)	

Mouser Electronics

Authorized Distributor

Click to View Pricing, Inventory, Delivery & Lifecycle Information:

[SL Power:](#)

[NMX-503-0512](#)