



# TC1100

## Compact CCD reader

### FEATURES

- Excellent reading capabilities
- Enhanced code reconstruction with the Puzzle Solver™ technology
- PDF417 bar code decoding (model TC1100-0200 only)
- Flexible interface "All in One" architecture: RS232, Wedge and Pen emulation
- DL Sm@rtSet: Windows-based programming tool
- Light weight
- Compact dimensions

### APPLICATIONS

- Access control systems
- Chemical and biomedical analysis machines
- Automatic Tape Libraries (ATL)
- Self Service Systems (ATM, Kiosk)
- Game automation (Lotto, Lottery, etc.)
- Film processing machines

### GENERAL DESCRIPTION

Datalogic's **TC1100 Compact CCD Reader** is the entry-level solution for many OEM applications. Due to its well-balanced mix of technical characteristics it is perfect for integration in custom equipment, setting a new standard in this product class.

The **TC1100** has excellent reading capabilities, scans very close to the output window with a wide reading area and extended DOF. Its high-performance CCD camera (3,648 pixels), which executes 270 scans/sec, combined with the **PUZZLE SOLVER™** technology, allows fast and accurate reading even when the codes are damaged or printed in low quality.

In addition its compact dimensions and light weight help reduce the overall dimensions and weight of the complete system.

The **TC1100's** ambient light immunity (100,000 lux) together with its reading capabilities allows installation in any condition reducing costs.

Furthermore, due to the absence of any moving parts, the **TC1100** grants a MTBF of 240,000 hours (Mean Time Between Failures) drastically reducing any maintenance costs.

The "All in One" communication system (RS232, Wedge and Pen Emulation) and the optocoupled Input and Output lines permit easy and flexible interfacing with any kind of controller.

The optional 80° deflection mirror for side reading installations reduces the overall space needed, making even contact reading possible.

The **TC1100** can be programmed by software commands sent via RS232 or with the intuitive configuration software **DL Sm@rtSet**.



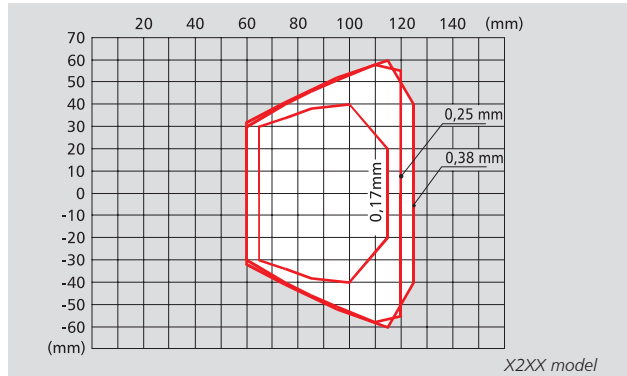
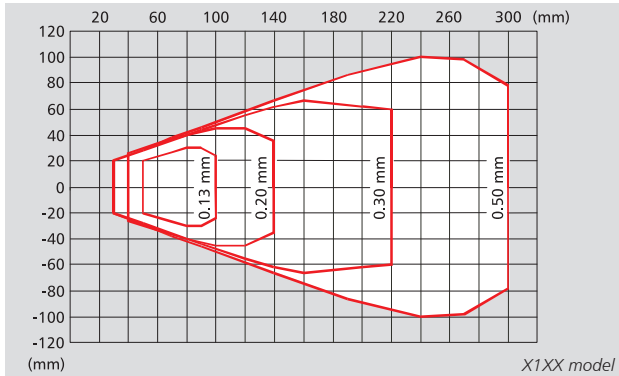
# MODELS AND ACCESSORIES

MODEL	DESCRIPTION	ORDER NO.
TC1100-0100	CCD scan engine, linear	939501000
TC1100-0200	CCD scan engine, PDF	939501010
TC1100-1100	CCD scanner, linear	939501020
TC1100-1200	CCD scanner, PDF	939501030
ACCESSORIES		
TC1100 User manual + Configurator SW		93ACC1670
GFC-TC1100	80 degree mirror	93A201101

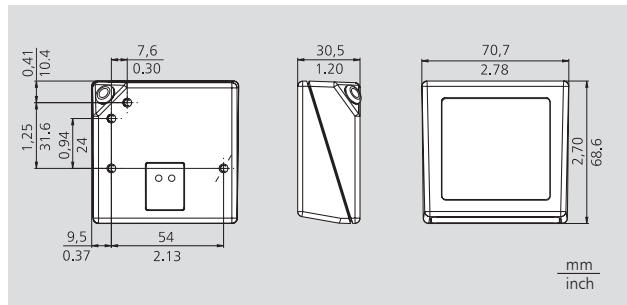
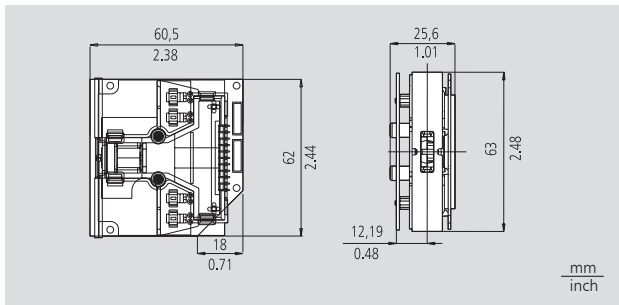
# SPECIFICATIONS

<b>POWER SUPPLY</b> SCAN RATE POWER CONSUMPTION READING RANGE SENSOR DECODER TYPE LIGHT SOURCE MAX RESOLUTION READABLE CODES	5Vdc ± 5% 270 scans/sec. 1.5W 35 to 305 mm CCD Solid state (3648 pixels) Built-in 4 LED, Red light 630nm 0.076mm (3mils) 2/5 family, Code 39, EAN/UPC, EAN128, Code 128, Code 93, CODABAR, TELEPEN, PLESSEY, Code MSI, Code Delta IBM, Code 11 CODABLOCK, Code 16K, Code 49 PDF417	<b>PROGRAMMING METHOD</b> Automatic (via RS232) DL Sm@rtSet <b>ENHANCED FEATURES</b> AMBIENT LIGHT IMMUNITY DIMENSIONS (0XXX models) (1XXX models)	SW commands through the serial port Windows configuration program Puzzle Solver™ Up to 100.000 lux 63 x 60.5 x 27mm (2.48" x 2.38" x 1.06") 70.7 x 68.6 x 30.5mm (2.70" x 2.78" x 1.20") ABS (1XXX models only) 100 cm (39.3 in.) 25 pins, D-Shell female OPERATING TEMPERATURE STORAGE TEMPERATURE HUMIDITY VIBRATION RESISTANCE (1XXX models only) SHOCK RESISTANCE (1XXX models only)
(X200 model only) INTERFACES INPUT SIGNAL OUTPUT SIGNAL LED INDICATOR	RS232, Wedge, Pen emulation Trigger (optocoupled) Good Read (optocoupled) 'Power On'; 'Good Read'	CASE MATERIAL CABLE LENGTH CONNECTOR TYPE OPERATING TEMPERATURE STORAGE TEMPERATURE HUMIDITY VIBRATION RESISTANCE (1XXX models only) SHOCK RESISTANCE (1XXX models only)	0 to 50 °C (32 to 122 °F) -20 to 70 °C (-4 to 158 °F) 90% non-condensing IEC 68-2-6 test FC 1.5mm; 10 to 55 Hz; 2 hours on each axis IEC 68-2-27 test EA 30 G; 11 ms; 3 shocks on each axis

# READING DIAGRAMS



# DIMENSIONS



Product and company names and logos referenced may be either trademarks or registered trademarks of their respective companies.

We reserve the right to make modifications and improvements

**Datalogic S.p.A.**  
**Italy**  
 Corporate Headquarters  
 Tel. +39 051/3147011  
 Fax +39 051/726562  
 info@datalogic.it

**Australia**  
 Datalogic PTY LTD.  
 Tel. +61 3/95589299  
 Fax +61 3/95589233  
 sales@datalogic.com.au

**Austria**  
 Datalogic Handelsges. mbH  
 Tel. +43 2236/258820  
 Fax +43 2236/258825  
 office@datalogic.co.at

**Denmark**  
 Datalogic A8  
 Tel. +45 44/209970  
 Fax +45 44/209972  
 info@datalogic.se

**France**  
 Datalogic France S.A.  
 Tel. +33 1/60921111  
 Fax +33 1/60921340  
 info@datalogic.fr

**Datalogic Quality Partner**

**Sales Italy**  
 Tel. +39 051/3147300  
 Fax +39 051/726562  
 venditeitalia@datalogic.it

**Germany**  
 Datalogic GmbH  
 Tel. +49 7026/6080  
 Fax +49 7026/5746  
 info@datalogic.de

**Japan**  
 Izumi Datalogic Co., Ltd.  
 Tel. +81 78/3033400  
 Fax +81 78/3033402  
 idlmarke@izumi-datalogic.co.jp

**Netherlands**  
 Datalogic Optic Electronics BV  
 Tel. +31 346/572888  
 Fax +31 346/568736  
 info@datalogic.nl

**Spain**  
 Datalogic Iberia  
 Tel. +34 91/3837755  
 Fax +34 91/3837962  
 dliberia@datalogic.it

**Sales International**  
 (Central and South America,  
 Far East, Middle East - Africa)  
 Tel. +39 041/5986511  
 Fax +39 041/5986550  
 sales-intl@datalogic.it

**Sweden**  
 Datalogic AB  
 Tel. +46 40/385000  
 Fax +46 40/385001  
 info@datalogic.se

**United Kingdom**  
 Datalogic UK Ltd.  
 Tel. +44 1582/464900  
 Fax +44 1582/464999  
 enquiries@datalogic.demon.co.uk

**U.S.A.**  
 Datalogic Inc.  
 Tel. +1 859/6897000  
 Fax +1 859/3344970  
 info@datalogic.com

