



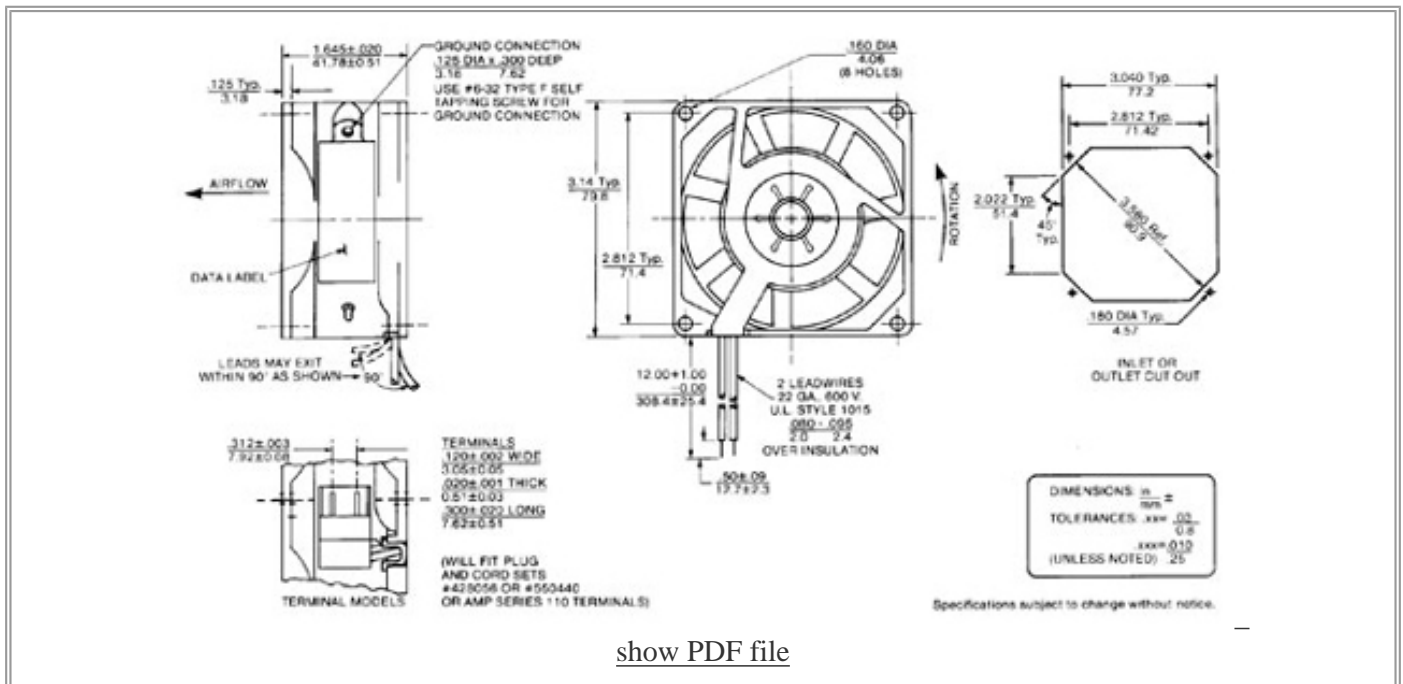
## Sprite AC (AC Fan)

COMAIR ROTRON PART NUMBER: **028269**  
 COMAIR ROTRON MODEL NUMBER: **SU3A1**



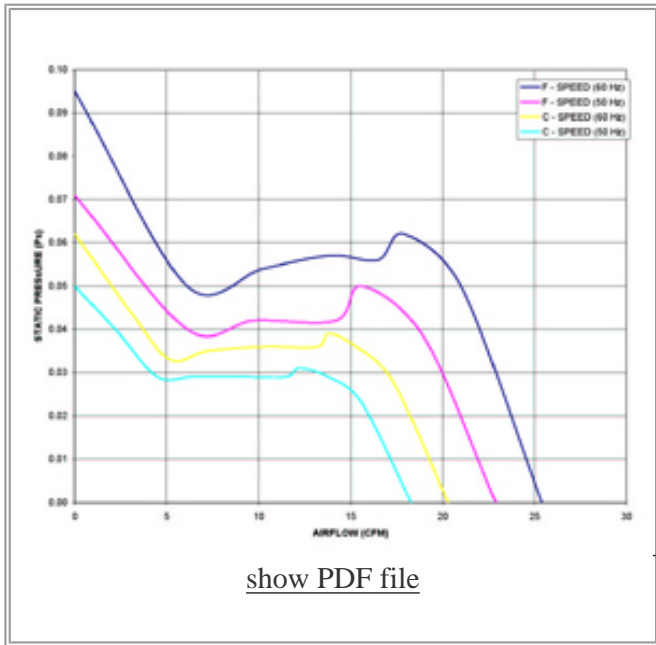
MOTOR	
Rated Voltage:	220/230
Operating Voltage Range:	
Running Current: 50Hz   60Hz (amps)	0.09   0.08
Locked Rotor Current: (amps)	0.11
Rated Power: 50Hz   60Hz (watts)	14   13
Nominal Speed: 50Hz   60Hz (rpm)	2700   3250

MECHANICAL	
Dimensions:	80mm x 42mm (3.15in x 1.645in)
Bearing Type:	Sleeve
Motor Base:	Metal
Propeller:	Polypropylene



[show PDF file](#)

### NOTES



PERFORMANCE CHARACTERISTICS	
Air Flow: (CFM)	28/34
Static Pressure:	.106/.149

TERMINATION	
Leadwires:	12" Leadwires

SAFETY	

All product names are used under license and are trademarks or registered trademarks of Comair Rotron, Inc.

[New Search](#)