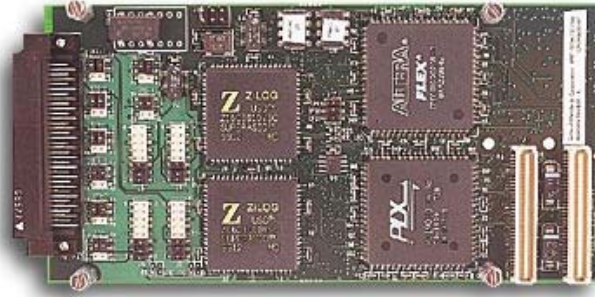


General Standards Corporation

High Performance Bus Interface Solutions

PMC-SIO4

Quad Channel High Performance Serial I/O PMC CARD *With up to 256Kbytes of FIFO buffering and Multiple Serial Protocols*



Features Include:

- 4 Full-Duplex Serial Channels
- Either RS-422/485 or RS232 interface available
- VxWorks™ and WinNT™ drivers are available
- Up to 10 Mbits/s synchronous operation on each channel
- Up to 1 Mbits/s asynchronous operation on each channel
- Up to 32 Kbyte FIFOs for transmit and receive of each channel (8 FIFOs Total)
- Serial channel cabling - via front panel of host
- Internal loop-back capability to verify proper operation of the card
- Supports Asynchronous, Bisync, SDLC, HDLC, and Nine-bit protocols
- Parity and CRC error detection
- DMA to/from Zilog Z16C30 (USC) to on-board FIFOs
- DMA to/from on-board FIFOs to PMC host
- Programmable selectable data rates via on-board baud rate generator per each channel
- Sync word selection allows an interrupt upon the reception of a user specified character.
- Extensive interrupt signaling capability
- VxWorks™ and WinNT™ drivers are available

Applications Include:

- ✓ LAN/WAN Networking
- ✓ Telecommunications
- ✓ Serial Interface

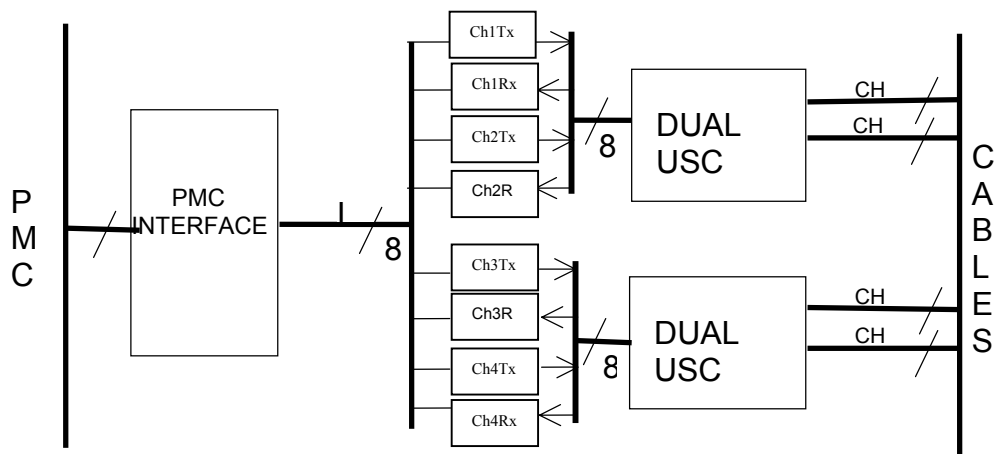
General Standards Corporation
8302A Whitesburg Drive · Huntsville, AL 35802
Phone: (256)880-8787 or (800)653-9970
FAX: (256)880-8788
Email: sales@generalstandards.com

General Standards Corporation

High Performance Bus Interface Solutions

Functional Description:

The PMC-SIO4 is an easy-to-use four channel full-duplex RS-422/485 serial board. Each channel can operate up to 10 Mbits/s. Optional 32 Kbyte FIFO buffer for both transmit and receive data on each channel (256 Kbytes total) provides for a smooth and efficient interface between the serial interfaces and the PMC host computer. The board is based on the Zilog Z16C30 high speed Integrated Universal Serial Controller (USC) which supports Asynchronous, Isochronous, Bisync, Monosync, HDLC, SDLC, External Sync and Nine-Bit protocols. The USC chip provides full duplex operation with baud rate generators, digital phase-locked loop for clock recovery and a full duplex DMA interface. The board only requires simple read/write statements to operate.



General Standards Corporation

8302A Whitesburg Drive - Huntsville, AL 35802

Phone: (256)880-8787 or (800)653-9970

FAX: (256)880-8788

Email: sales@generalstandards.com

General Standards Corporation

High Performance Bus Interface Solutions

ELECTRICAL SPECIFICATIONS

At +25 °C, with specified operating voltages.

PCI INTERFACE

- Compatibility:** Conforms to PCI Specification 2.1, with D32 read/write transactions.
Supports "plug-n-play" initialization.
Provides a single multifunction interrupt.
Supports FIFO DMA transfers as bus master.

MECHANICAL AND ENVIRONMENTAL SPECIFICATIONS

Power Requirements

+5VDC \pm 0.2 VDC at 1.5 Amps

Power Dissipation: 6.0 Watts, Side 1

1.5 Watts, Side 2

Physical Characteristics

Height: 7.0 mm

Depth: 149.0 mm

Width: 74.0 mm

Environmental Specifications

Ambient Temperature Range: Operating: 0 to +55 degrees Celsius
Storage: -40 to +85 degrees Celsius

Relative Humidity: Operating: 0 to 80%, non-condensing
Storage: 0 to 95%, non-condensing

Altitude: Operation to 10,000 ft.

Cooling Requirements

Conventional air-cooling; 200 LPFM (typical mezzanine environment).

General Standards Corporation

8302A Whitesburg Drive - Huntsville, AL 35802

Phone: (256)880-8787 or (800)653-9970

FAX: (256)880-8788

Email: sales@generalstandards.com

General Standards Corporation

High Performance Bus Interface Solutions

ORDERING INFORMATION

Specify the basic product model number (PMC-SIO4-RS232), followed by an option suffix "-X", as indicated below. For example, model number PMC-SIO4-RS232-256K describes a board with a total of 256Kbytes of FIFO buffering.

Optional Parameter	Value	Specify Option As:
FIFO Size:	256Kbyte	X =256K
	128Kbyte	X = 128K
	64Kbyte	X = 64K
	32Kbyte	X = 32K
	8Kbyte	X = 8K
	4Kbyte	X = 4K
	1Kbyte	X = 1K

General Standards Corporation

8302A Whitesburg Drive · Huntsville, AL 35802

Phone: (256)880-8787 or (800)653-9970

FAX: (256)880-8788

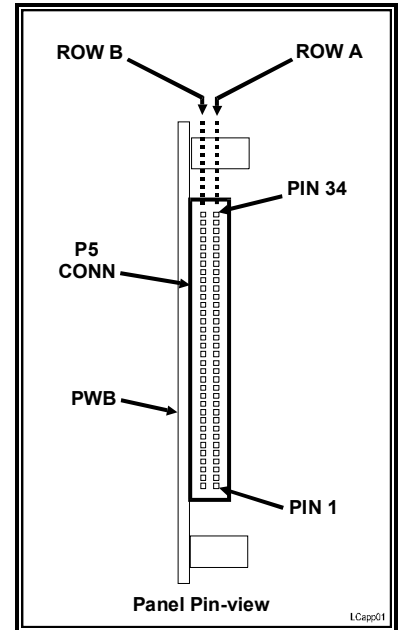
Email: sales@generalstandards.com

General Standards Corporation

High Performance Bus Interface Solutions

SYSTEM I/O CONNECTIONS

Pin #	PA2, Row A, Signal Names:	Pin #	PB2, Row B, Signal Names:
1	Channel 1 Lwr Cable TXD/RXD +	35	Channel 3 Lwr Cable TXD/RXD +
2	Channel 1 Lwr Cable TXD/RXD -	36	Channel 3 Lwr Cable TXD/RXD -
3	Channel 1 Lwr Cable CTS/DCD +	37	Channel 3 Lwr Cable CTS/DCD +
4	Channel 1 Lwr Cable CTS/DCD -	38	Channel 3 Lwr Cable CTS/DCD -
5	Channel 1 Lwr Cable TX/RX Clk +	39	Channel 3 Lwr Cable TX/RX Clk +
6	Channel 1 Lwr Cable TX/RX Clk -	40	Channel 3 Lwr Cable TX/RX Clk -
7	Channel 1 Upr Cable TXD/RXD +	41	Channel 3 Upr Cable TXD/RXD +
8	Channel 1 Upr Cable TXD/RXD -	42	Channel 3 Upr Cable TXD/RXD -
9	Channel 1 Upr Cable CTS/DCD +	43	Channel 3 Upr Cable CTS/DCD +
10	Channel 1 Upr Cable CTS/DCD -	44	Channel 3 Upr Cable CTS/DCD -
11	Channel 1 Upr Cable TX/RX Clk +	45	Channel 3 Upr Cable TX/RX Clk +
12	Channel 1 Upr Cable TX/RX Clk -	46	Channel 3 Upr Cable TX/RX Clk -
13	Channel 2 Lwr Cable TXD/RXD +	47	Channel 4 Lwr Cable TXD/RXD +
14	Channel 2 Lwr Cable TXD/RXD -	48	Channel 4 Lwr Cable TXD/RXD -
15	Channel 2 Lwr Cable CTS/DCD +	49	Channel 4 Lwr Cable CTS/DCD +
16	Channel 2 Lwr Cable CTS/DCD -	50	Channel 4 Lwr Cable CTS/DCD -
17	Channel 2 Lwr Cable TX/RX Clk +	51	Channel 4 Lwr Cable TX/RX Clk +
18	Channel 2 Lwr Cable TX/RX Clk -	52	Channel 4 Lwr Cable TX/RX Clk -
19	Channel 2 Upr Cable TXD/RXD +	53	Channel 4 Upr Cable TXD/RXD +
20	Channel 2 Upr Cable TXD/RXD -	54	Channel 4 Upr Cable TXD/RXD -
21	Channel 2 Upr Cable CTS/DCD +	55	Channel 4 Upr Cable CTS/DCD +
22	Channel 2 Upr Cable CTS/DCD -	56	Channel 4 Upr Cable CTS/DCD -
23	Channel 2 Upr Cable TX/RX Clk +	57	Channel 4 Upr Cable TX/RX Clk +
24	Channel 2 Upr Cable TX/RX Clk -	58	Channel 4 Upr Cable TX/RX Clk -
25	No connect	59	No connect
26	No connect	60	No connect
27	No connect	61	No connect
28	No connect	62	No connect
29	No connect	63	No connect
30	No connect	64	No connect
31	Cable Spare 0 +	65	Cable Spare 2 +
32	Cable Spare 0 -	66	Cable Spare 2 -
33	Cable Spare 1 +	67	Cable Spare 3 +
34	Cable Spare 1 -	68	Cable Spare 3 -



The 68-pin DSUB (user I/O interface) connector (PLUG) is mounted at the front edge of the board (Ref. Des. PA2, for row A & PB2, for row B). The part number is P50E-068PI-SRI-TG, manufacturer, Robinson Nugent. The mating part number is P50E68-S-TG. This cable is used for all 4 channels. The Robinson Nugent phone no. is 812-945-0211. Contact GSC for factory built cables of any desired length. See Table above for pin-out.

General Standards Corp.
 8302A Whitesburg Drive
 Huntsville, AL 35802

General Standards Corporation assumes no responsibility for the use of any circuits in this product. No circuit patent licenses are implied. Information included herein supersedes previously published specifications on this product and is subject to change without notice.

General Standards Corporation
 8302A Whitesburg Drive · Huntsville, AL 35802
 Phone: (256)880-8787 or (800)653-9970
 FAX: (256)880-8788
 Email: sales@generalstandards.com