

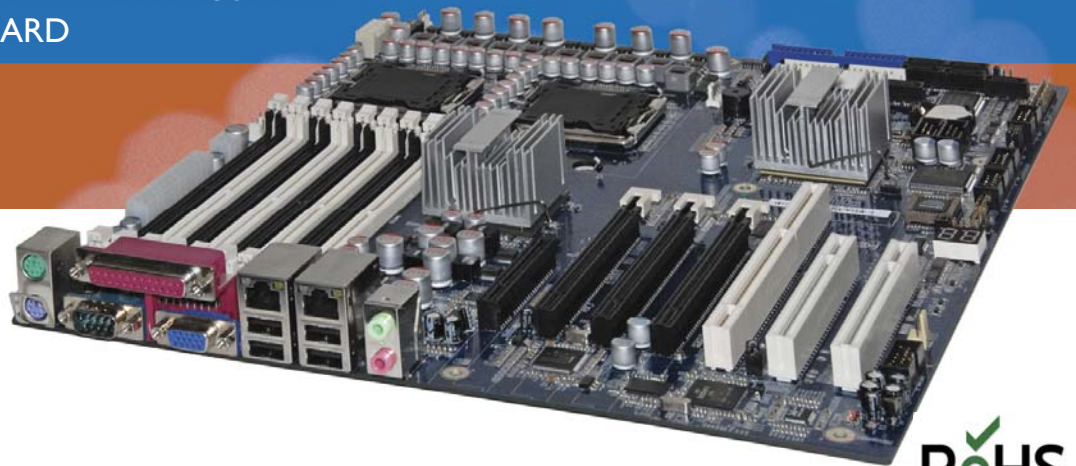
SB5000P™

LONG-LIFE QUAD CORE EATX INDUSTRIAL SERVER BOARD

LONG LIFE CYCLE, DEPENDABLE INDUSTRIAL STRENGTH MOTHERBOARD

PRODUCT HIGHLIGHTS

- EATX (12.0" x 13.0")
- Intel® Xeon™ Dual Core and Quad Core E5x00 Series Processors
- Intel 5000P chipset
- Intel 82563EB Dual GbE
- Six (6) SATA 2 headers
- Eight (8) USB 2.0 ports
- Seven (7) to Ten (10) Year Guaranteed Production



The SB5000P™

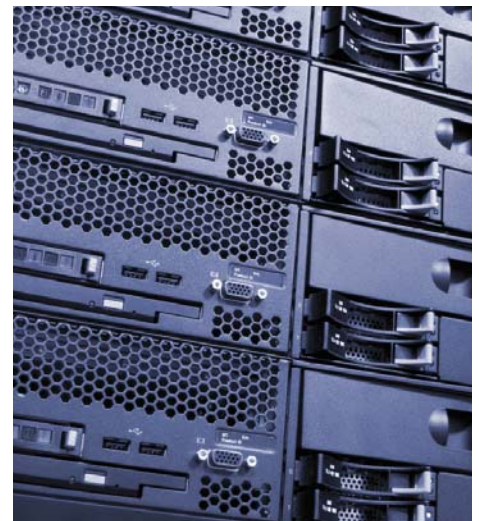
is a long-life, quad core EATX server board based on the Intel® Dual Core, Dual Xeon 5100 Industrial Server Series, Intel® Xeon Quad Core E5300 Series, Intel Duo Core, Duo Core LV L5200 Series, Intel Quad Core E5400 Series processor and Intel 5000P chipset. The SB5000P was designed specifically for high performance embedded applications such as Medical, Oil and Gas, Industrial Automation, Military/Defense, Semiconductor Equipment, Security and Surveillance, Gaming.

APPLICATIONS

- Medical
- Oil and Gas
- Industrial Automation
- Military/Defense
- Semiconductor Equipment
- Security and Surveillance
- Gaming
- Data Centers

Powered by the Intel 5000P chipset, the SB5000P utilizes next-generation dual-processor server chipset technology, enabling low-power consumption with improved platform reliability, accessibility, serviceability (RAS) and system manageability. The SB5000P delivers higher throughput with dual, point-to-point system buses, faster memory and I/O/ bandwidth, and fully buffered DIMM (FB-DIMM) support than previous-generation Intel chipsets.

The SB5000P combines the benefits of dual- and quad-core processing with dual-processor capabilities (up to four or eight cores for a dual-processor platform), ideal for embedded OEM's requiring high-performance, power-efficient platforms with greater data throughput to perform diverse tasks simultaneously.



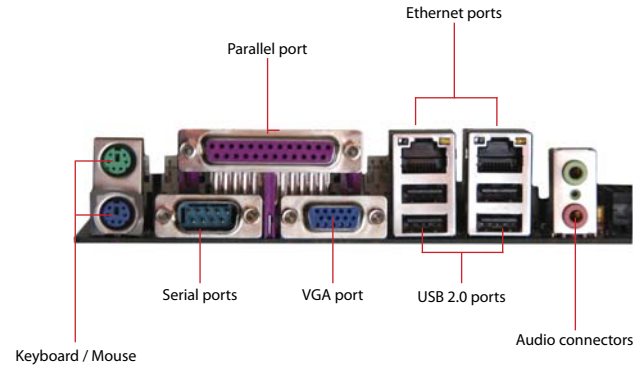
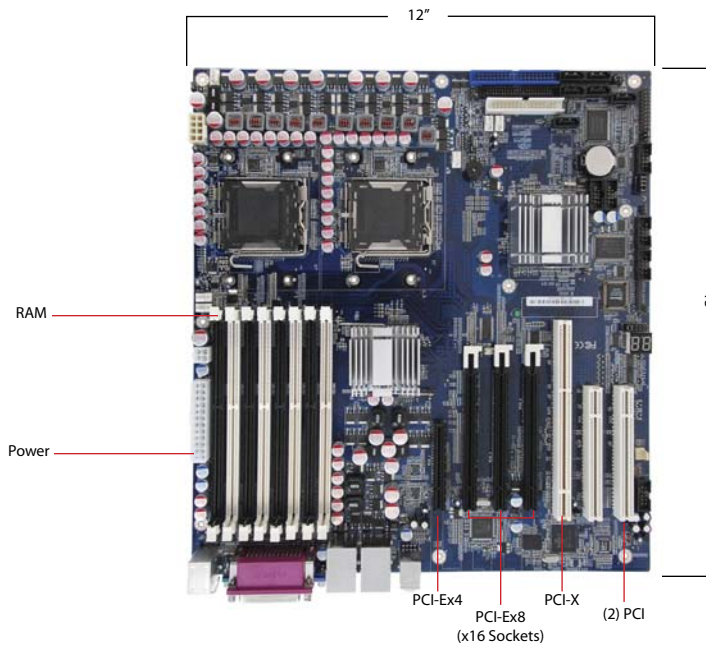
OUR COMMITMENT TO QUALITY

All Corvalent products are designed and manufactured in an ISO 9001:2008 environment and backed by a seven (7) to ten (10) year production life cycle guarantee.



SB5000P™

LONG-LIFE QUAD CORE EATX INDUSTRIAL SERVER BOARD



TECHNICAL SPECIFICATIONS

Form Factor	EATX
Dimensions	12.0" x 13.0"
Microprocessor	Intel® Xeon Dual Core 5100 & 5200 Series Intel® Xeon Quad Core E5300 & 5400 Series
Chipset	Intel® 5000P
Front Side Bus	1066/1333MHz
Memory	FB-DIMM 667/533 MHz memory dual channel Eight (8) sockets with support up to 128GB (Supports ECC memory modules)
System Bus	Two (2) PCI-E x16 connectors (8 PCI-E lanes each) from 5000P MCH One (1) PCI-E x16 connector (8 PCI-E lanes) (ESB2) One (1) PCI-E x4 connector (ESB2) One (1) PCI-X 133MHz (ESB2) Two (2) PCI Rev 2.3 connectors (ESB2)
Onboard I/O	Six (6) SATA2 headers Eight (8) USB 2.0 ports provided by ESB2 (four (4) USB ports on 2x shared RJ45/doubled stacked USB connectors, four (4) USB ports on 2x 10-pin headers) Four (4) RS232 serial ports, COM 1 factory configured 422/485 One (1) Parallel port Double stacked PS/2 compatible keyboard/mouse connector One (1) TPM (LPC bus) header One (1) Floppy controller header ATX2.2 - 24-pin power connector 8-pin, 4-pin ATX 12V power connectors Two (2) CPU fans headers (4-pin) Four (4) System fans headers (4-pin) One (1) System fan headers (3-pin)

Video Graphics	XGI Volari Z9S graphics chip DB15 I/O connector 64MB DDR2 video memory
Ethernet	Intel® 82563EB Dual GbE
Audio	Realtek ALC883 HD Audio CODEC or equivalent Microphone in, Stereo line out, Stereo line in jacks on I/O back-panel 10-pin HD Audio header for extra surround sound outputs
Industrial Devices	Hardware monitoring including fans CPU temperature and voltages POST display for diagnostics
BIOS	AMI®
Battery	Removable lithium battery for CMOS memory
Operating Temp	0°C to 50°C
Non-Operating	-40°C to 70°C
Op. Humidity	5 to 95% non-condensing
Non-Operating	5 to 95% non-condensing
Part Number	BDPEX

CORVALENT™
AT THE CORE OF EMBEDDED COMPUTING

1101 Arrow Point Drive, Building 5
Cedar Park, TX 78613, USA
toll free 888.776.7896 phone 512.456.2400
fax 512.456.2404 info@corvalent.com

www.corvalent.com