



The Optical Ethernet Company

iMediaChassis Series

SNMP Manageable Fiber Connectivity Platform Supports Multiple Protocols

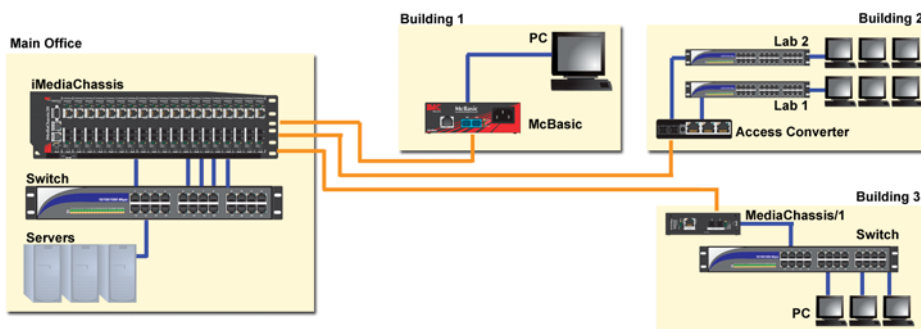
Reliable and flexible, the iMediaChassis series has the highest port density of any modular, intelligent, carrier-class optical access platform in the industry.

The *iMediaChassis* series is an intelligent, carrier-class optical access platform that supports Ethernet, ATM/SONET, T1/E1, DS3/E3/STS-1 and WDM networking technologies. The *iMediaChassis Series* enables network operators to drastically reduce the capital and operational expenses by providing all copper-to-fiber and multi-mode to single-mode conversions, network distance extensions and Ethernet Private Line services from the same chassis platform. Having the highest port density in the industry, along with a robust design, hot-swappable architecture, SNMP-management, and redundant power supplies for fault tolerance, makes the *iMediaChassis* ideal for installing in the central office (CO) where a multitude of diverse applications, using a variety of protocols, is required. Pair this multi-slot chassis with a *MediaChassis** or another standalone IMC Networks unmanaged device at the customer premises (CPE). The *iMediaChassis* series includes:

- **6-slot** (1U high) and **20-slot** (3U high) models for installing iMcV series modules*
- An additional slot for installing an optional **SNMP management** module
- A Dynamic Host Configuration Protocol (DHCP) client that makes initial configuration easy by automatically assigning an IP address for the *iMediaCenter* chassis when connected to a local area network with a DHCP server
- An **SNMP Write Lock switch** that protects the configured settings of installed modules from being overwritten when removing the management module from the chassis.
- Numerous **Traps** which help to identify and troubleshoot problems quickly:
 - A **Loss of Link** trap notifies network operators of potential problems by reporting to the NMS which module/port (along with its description) is experiencing difficulty
 - The **Last Gasp** trap announces when the AC line fails, when power supplies are powered down or in the possibility of a power supply failure
 - Additional traps and LEDs indicate problems with fans and power supplies, and elevated chassis temperature levels, etc.
- Option for redundant AC or DC power supplies
- Mix and match AC and DC power supplies in the same chassis (6-slot chassis only)
- Field-replaceable fans (20-slot chassis only) and power supplies
- Temperature controlled fans activate only when chassis reaches a certain temperature, thereby extending the life of the fans (6-slot chassis only)
- Temperature monitoring gauge

Application Example

Install *iMediaChassis* at a central office and pair with *MediaChassis* populated with *iMcV* series modules at each remote location, then monitor all connections from the central site.



Media management made easy; SNMP management module includes

- GUI-based *iView2* application software
- SNMP V2c agent
- Supports the Unified Management Agent (UMA)
- DB-9 connector and cable for serial configuration
- DHCP and TFTP client
- Support for Telnet
- Last Gasp feature sends notification of AC line failures and power supply failures

Meets various installation/application requirements

- SNMP-manageable chassis for the CO; 6-slot and 20-slot models available
- Available with AC or DC power

Robust, modular design

- Highest port density with 20-slot chassis
- User replaceable fans and power supplies in 20-slot chassis

Install a wide variety of media modules

- 10, 100 and 1000 Mbps Ethernet and T1/E1/J1 copper-to-fiber converters
- 10 Mbps Ethernet copper-to-coax converters
- 10/100 Mbps autosensing copper-to-fiber converters
- DS3/E3 copper-to-coax converters
- End to end remote fiber management
- Fiber mode converters
- Fiber optic repeaters

Eases troubleshooting

- SNMP management, fan tachometers, and LEDs assist in diagnosing problems

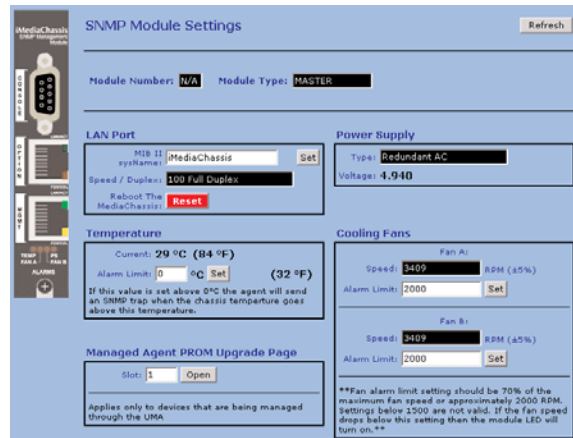
* Please refer to the respective datasheets on the MediaChassis series, UMA, and each iMcV module for more information.



Easily configure and manage converters with the GUI-based *iView*²:

The *iMediaChassis*' management module includes the *iView*² SNMP management application software, a DB-9 port for initial configuration, an RJ-45 port for management, plus support for Telnet sessions, and a Dynamic Host Configuration Protocol (DHCP) client that makes initial configuration easy by automatically assigning an IP address for the *iMediaChassis* chassis when connected to a local area network with a DHCP server. *iView*² allows for easy configuration and the setting of management traps in minutes. *iView*² runs standalone on Windows NT/XP/2000, as a standalone Java Application for other operating systems, as a snap-in module for HP OpenView, as a Web Server running under IIS or as a Java Web Servlet. For assistance in selecting the right version of *iView*² for your operating system, please visit <http://www.imcnetworks.com/go/iview2>.

The *iMediaChassis* series also supports the Unified Management Agent (UMA); UMA allows you to manage all installed devices, including those with on-board intelligence such as *FiberLinX*, with a single IP address and from a central location.



Technical Specifications

All *iMediaChassis*

- SNMP-manageable with use of SNMP module
- SNMP Write Lock switch protects the SNMP-configured settings
- Built to NEBS-III requirements
- Last Gasp feature sends notification of AC line failures and power supply failures
- Available with AC or DC power
- Available with redundant power
- Feature user replaceable power supplies

iMediaChassis/20

- Highest port density, 20 slots
 - Features user replaceable fans
 - Includes fan tachometers
- Shipping Weight: 30 lbs

Dimensions: 5.2"H x 19.0"W x 13.8"D
(13.21cm H x 48.26cm W x 35.05cm D)
AC Input Load: 100/240 VAC ±10%
50/60Hz, 1Amp @ 115V and 0.5Amps @ 230V (dual power)
DC Input Load: -38 to -72 VDC;
2.5A @ -48VDC (dual power)

iMediaChassis/6

- Only 1U high
- Temperature controlled fans

Shipping Weight: TBA

Dimensions: 1.75"H x 17.35"W x 10.65"D
(4.45cm H x 44.07cm W x 27.05cm D)
AC Input Load: 100/240 VAC ±10%
50/60Hz 0.5A @ 115V and 0.25A @ 230V
(dual power); 1A @ 115V and 0.5A @ 230V
(single)
DC Input Load: 1A @ -48VDC (dual);
2A @ -48VDC (single)

iMediaChassis SNMP Module

- Installs in any *iMediaChassis*
- SNMP V1 and V2c compatible
- Includes GUI-Based *iView*²
- Supports Unified Management Agent
- Includes DB-9 connector and cable for serial configuration
- Includes DHCP and TFTP client
- Supports Telnet
- Includes diagnostic LEDs

IMC MIB:

- Port Type
- Traps
- Module Type
- Link Status of Ports
- Chassis temperature
- Power Supply Type/Status
- User-Definable Name/ID of Product
- User-Definable ID/Name of Each Port
- Fan speeds
- Fiber Type

- Enable/Disable Ports
- Enable/Disable FO/FX LinkLoss
- Enable/Disable TP/TX LinkLoss
- Enable/Disable FiberAlert
- Enable/Disable Auto-Negotiation

MIB-II (RFC 1213):

(NOTE: This information is for the *iMediaChassis*' SNMP agent only)

- Packets Transmitted
- Packets Received
- All Standard MIB II Objects

Specifications for Series

Regulatory Approvals:

- FCC Class B
 - UL/cUL, CSA, CE
- Operating Temperature: 32° to 122°F (0° to 50°);
5% to 90% (non-condensing), 0 – 10,000 ft. altitude
Storage Temperature: -13° to +158°F (-25° to +70°C); 5 to 90% (non-condensing)

Ordering Information

SNMP Manageable Modular Chassis

- 50-10953-AC** *iMediaChassis*/6-AC — 6-slot, rackmountable, includes one PS/125-AC Power Module; option for redundancy
- 50-10953-2AC** *iMediaChassis*/6-2AC — 6-slot, rackmountable, includes two PS/125-AC Power Modules (dual power)
- 50-10953-DC** *iMediaChassis*/6-DC — 6-slot, rackmountable, includes one PS/125-DC Power Module; option for redundancy
- 50-10953-2DC** *iMediaChassis*/6-2DC — 6-slot, rackmountable, includes two PS/125-DC Power Modules (dual power)
- 50-10956-AC** *iMediaChassis*/20-Dual-AC — 20-slot, rackmountable, includes two PS/401-AC Power Modules (dual power)
- 50-10954-DC** *iMediaChassis*/20-Dual-DC — 20-slot, rackmountable, includes two PS/300-DC Power Modules (dual power)

iMediaChassis SNMP Management Module

- 50-39950** *iMediaChassis* SNMP Management Module

Back Up Modular Fans

- 25-39954** Modular Fan Assembly for *iMediaChassis*/20

For information/part numbers for *iMcV* series modules, please refer to the datasheet for the respective product. Please refer to the UMA datasheet for information.

Redundant Power Supplies

- 06-39125-AC** PS/125-AC Power Module — 125 watt, 100/240 VAC ±10% (for 6-slot)
- 06-39125-DC** PS/125-DC Power Module — 125 watt, -48 VDC ±10% (for 6-slot)
- 06-39401-AC** PS/401-AC Power Module — 400 watt, 100/240 VAC ±10% (for 20-slot)
- 06-39300-DC** PS/300-DC Power Module — 300 watt, -48 VDC ±10% (for 20-slot)



iMediaChassis/20-2AC
(rear view)



iMediaChassis/6-AC
(rear view)

NOTE: You can mix and match AC and DC power supplies in this 6-slot chassis.

IMC Networks

Headquarters

19772 Pauling
Foothill Ranch, CA 92610
TEL: 949-465-3000
FAX: 949-465-3020
sales@imcnetworks.com
www.imcnetworks.com

IMC Networks

Europe

Herseltsesteenweg 268
B-3200 Aarschot Belgium
TEL: +32-16-550880
FAX: +32-16-550888
eurosales@imcnetworks.com

IMC Networks

Eastern US/Latin America

18840 US Hwy. 19 North Suite 400
Clearwater, FL 33764
TEL: 727-524-8152/524-8071 (Latin)
FAX: 727-524-8432
latinsales@imcnetworks.com

IMC Networks

Fiber Consulting Services

For information call:
TEL: 949-465-3000
1-800-624-1070 (US/CAN)
+32-16-550880 (Europe)
fcs@imcnetworks.com

Copyright © 2005 IMC Networks. All rights reserved. The information in this document is subject to change without notice. IMC Networks assumes no responsibility for any errors that may appear in this document. Specific product names may be trademarks or registered trademarks and are the property of their respective companies.