

Air Conditioners

CR Compact, Mid-Size and Full-Size Air Conditioners and Accessories



Shield maintains UL/cUL Type 4X rating. (Package 6)
Ambient air enters from the bottom.

Industry Standards

Refer to tables for specific UL/cUL Type ratings these air conditioners maintain when properly installed on a UL/cUL rated enclosure.

UL/cUL Listed; File No. SA6453

CE

Application

CR Air Conditioners are available in a variety of configurations and sizes to match indoor or outdoor application requirements. CR23 and CR29 Air Conditioners feature an invertible, washable filter for easy maintenance.

Features

- Thermostat control and EMI/RFI noise suppressor included
- Front cover hinges open for quick access to all components
- Filter can be inverted to double operating time between cleanings and/or replacements (models CR23 and CR29 only)
- Filterless operation possible in many applications
- Mounting flanges facilitate installation on door, side or front of enclosure
- For a typical application, unique condensate management system evaporates moisture from enclosure
- High-performance fans and blowers are ideal for densely-packed enclosures
- All units use a CFC-free or environmentally safe refrigerant that is universally accepted
- Mounting hardware, gaskets, mounting template and instruction manual furnished

In accordance with the Montreal Protocol, the CR43 Air Conditioners will be transitioned away from R22 refrigerant by December 31, 2009. Product performance will remain at top capacity. Visit hoffmanonline.com for product updates.

Finish

Available in brushed stainless steel or RAL 7035 light-gray polyester powder coating.

Notes

Some packages are not listed. Verify package before ordering.

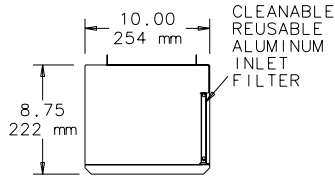
Bulletin: MCL

Standard Product **CR23 Air Conditioner Packages**

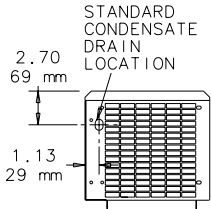
Catalog Number	BTU/Voltage/Hz	Package	UL/cUL Type Rating
CR230216G002	1800 BTU/Hr. 115V-50/60 Hz	1 - Basic	12, 3R
CR230216G016	1800 BTU/Hr. 115V-50/60 Hz	2 - Level 2 Controller	12, 3R
CR230216G013	1800 BTU/Hr. 115V-50/60 Hz	3 - Low Ambient Temperature	12, 3R
CR230216G007	1800 BTU/Hr. 115V-50/60 Hz	4 - Low Ambient/SST/Corrosion	12, 3R
CR230216G017	1800 BTU/Hr. 115V-50/60 Hz	5 - Low Ambient/SST/Level 2	12, 3R
CR230216G015	1800 BTU/Hr. 115V-50/60 Hz	6 - Outdoor/SST/Corrosion/4X	4, 4X, 12
CR230226G002	1800 BTU/Hr. 230V-50/60 Hz	1 - Basic	12, 3R
CR230226G030	1800 BTU/Hr. 230V-50/60 Hz	3 - Low Ambient Temperature	12, 3R
CR230226G009	1800 BTU/Hr. 230V-50/60 Hz	4 - Low Ambient/SST/Corrosion	12, 3R
CR230226G016	1800 BTU/Hr. 230V-50/60 Hz	5 - Low Ambient/SST/Level 2	12, 3R
CR230226G014	1800 BTU/Hr. 230V-50/60 Hz	6 - Outdoor/SST/Corrosion/4X	4, 4X, 12

Air Conditioners

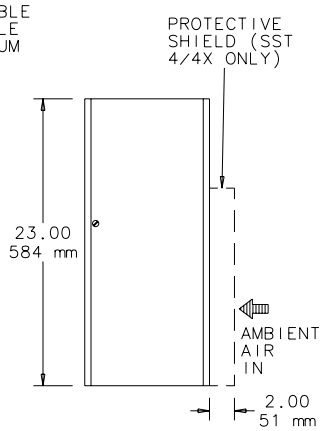
CR23



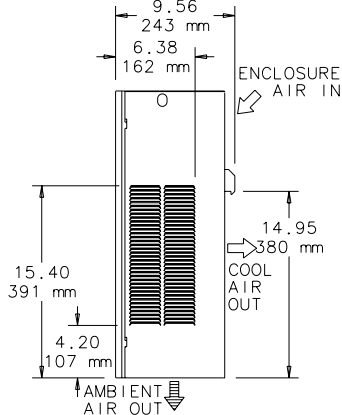
TOP VIEW



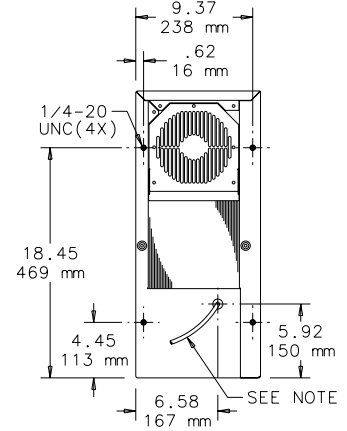
BOTTOM VIEW



FRONT VIEW



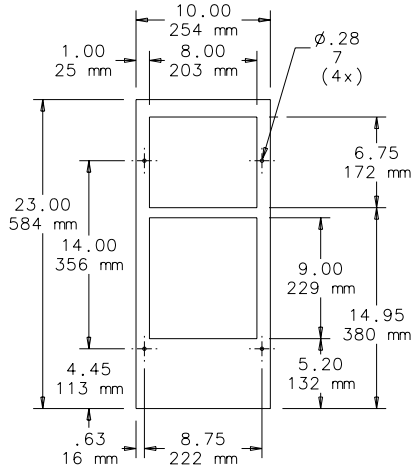
SIDE VIEW



BACK VIEW

NOTE: Service cord terminated with appropriate plug cap.

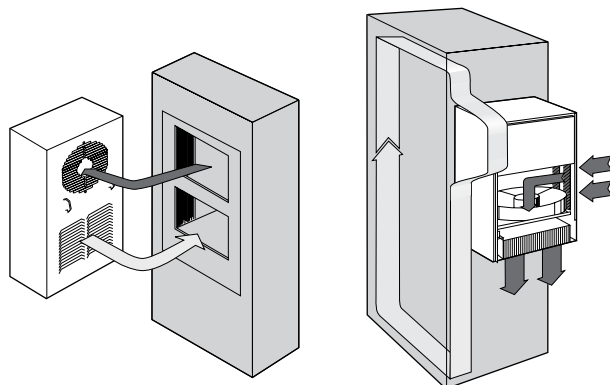
87939703



CUTOUT

NOTE:

1. Shaded area represents air conditioner.
2. Cutout dimensions for standard products only.
3. Full-size mounting template provided.



CR23 Side-Mount to Enclosure

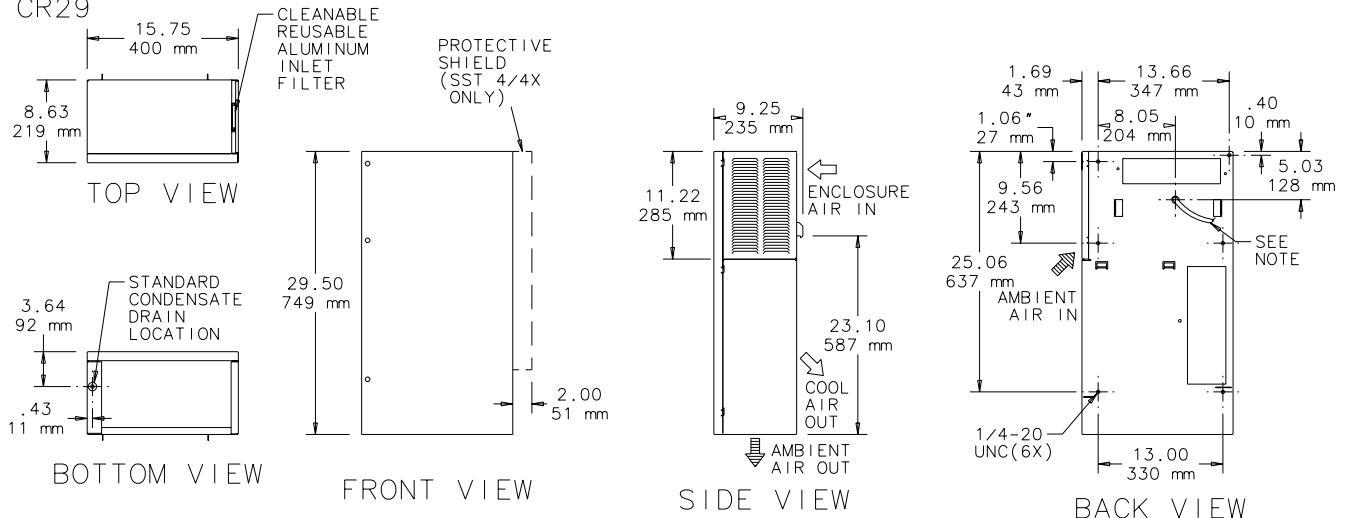
- Ambient airflow
- Clean airflow

Air Conditioners

Standard Product CR29 Air Conditioner Packages

Catalog Number	BTU/Voltage/Hz	Package
CR290216G002	2200 BTU/Hr. 115V-50/60 Hz	1 - Basic
CR290216G030	2200 BTU/Hr. 115V-50/60 Hz	2 - Level 2 Controller
CR290216G035	2200 BTU/Hr. 115V-50/60 Hz	3 - Low Ambient Temperature
CR290216G013	2200 BTU/Hr. 115V-50/60 Hz	4 - Low Ambient/SST/Corrosion
CR290216G036	2200 BTU/Hr. 115V-50/60 Hz	6 - Outdoor/SST/Corrosion/4X
CR290226G002	2700 BTU/Hr. 230V-50/60 Hz	1 - Basic
CR290226G030	2700 BTU/Hr. 230V-50/60 Hz	2 - Level 2 Controller
CR290226G020	2700 BTU/Hr. 230V-50/60 Hz	3 - Low Ambient Temperature
CR290226G010	2700 BTU/Hr. 230V-50/60 Hz	4 - Low Ambient/SST/Corrosion
CR290226G031	2700 BTU/Hr. 230V-50/60 Hz	5 - Low Ambient/SST/Level 2
CR290226G037	2700 BTU/Hr. 230V-50/60 Hz	6 - Outdoor/SST/Corrosion/4X
CR290416G002	4000 BTU/Hr. 115V-50/60 Hz	1 - Basic
CR290416G047	4000 BTU/Hr. 115V-50/60 Hz	2 - Level 2 Controller
CR290416G045	4000 BTU/Hr. 115V-50/60 Hz	3 - Low Ambient Temperature
CR290416G030	4000 BTU/Hr. 115V-50/60 Hz	4 - Low Ambient/SST/Corrosion
CR290416G052	4000 BTU/Hr. 115V-50/60 Hz	5 - Low Ambient/SST/Level 2
CR290416G068	4000 BTU/Hr. 115V-50/60 Hz	6 - Outdoor/SST/Corrosion/4X
CR290426G002	4000 BTU/Hr. 230V-50/60 Hz	1 - Basic
CR290426G027	4000 BTU/Hr. 230V-50/60 Hz	2 - Level 2 Controller
CR290426G022	4000 BTU/Hr. 230V-50/60 Hz	3 - Low Ambient Temperature
CR290426G017	4000 BTU/Hr. 230V-50/60 Hz	4 - Low Ambient/SST/Corrosion
CR290426G054	4000 BTU/Hr. 230V-50/60 Hz	6 - Outdoor/SST/Corrosion/4X

CR29

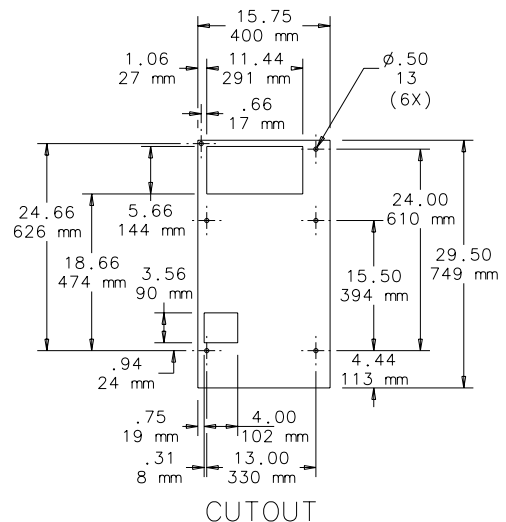
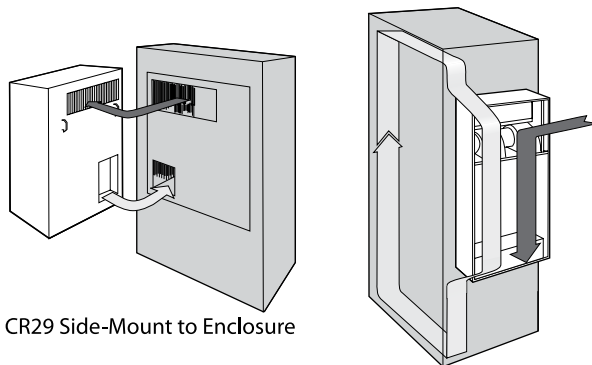


NOTE:

1. Shaded area represents air conditioner.
2. Cutout dimensions for standard products only.
3. Full-size mounting template provided.

NOTE: Service cord terminated with appropriate plug cap.

87939704

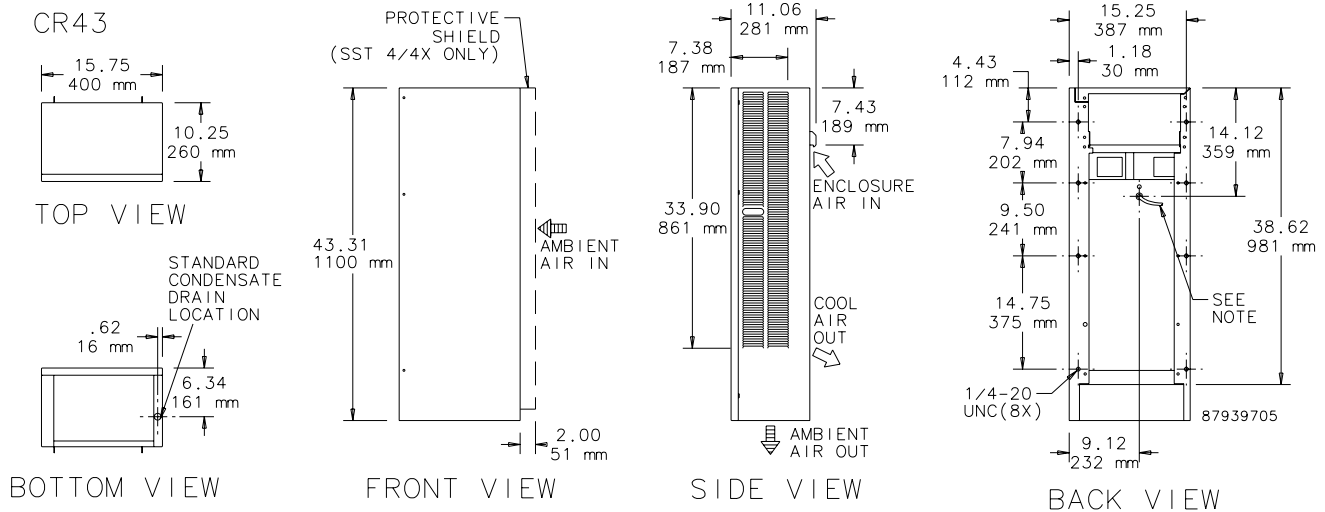


Air Conditioners

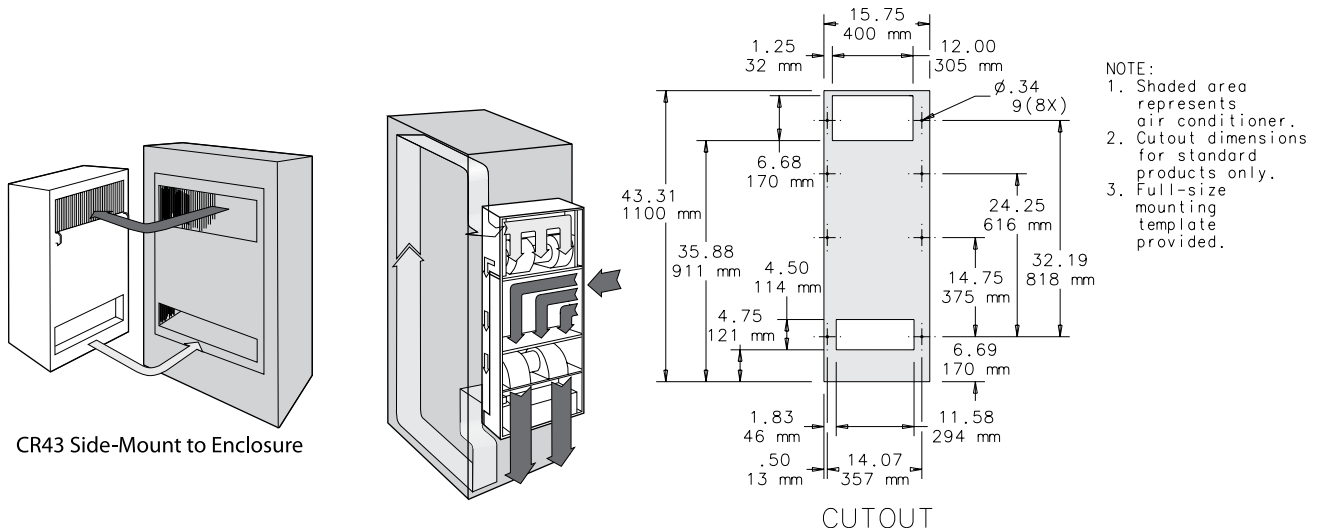
Standard Product CR43 Air Conditioner Packages

Catalog Number	BTU/Voltage/Hz	Package
CR430616002	6000 BTU/Hr. 115V-50/60 Hz	1 - Basic
CR430616016	6000 BTU/Hr. 115V-50/60 Hz	2 - Level 2 Controller
CR430616013	6000 BTU/Hr. 115V-50/60 Hz	3 - Low Ambient Temperature
CR430616004	6000 BTU/Hr. 115V-50/60 Hz	4 - Low Ambient/SST/Corrosion
CR430616031	6000 BTU/Hr. 115V-50/60 Hz	6 - Outdoor/SST/Corrosion/4X
CR430626002	6000 BTU/Hr. 230V-50/60 Hz	1 - Basic
CR430626018	6000 BTU/Hr. 230V-50/60 Hz	2 - Level 2 Controller
CR430626014	6000 BTU/Hr. 230V-50/60 Hz	3 - Low Ambient Temperature
CR430626020	6000 BTU/Hr. 230V-50/60 Hz	5 - Low Ambient/SST/Level 2
CR430626034	6000 BTU/Hr. 230V-50/60 Hz	6 - Outdoor/SST/Corrosion/4X
CR430816002	8500 BTU/Hr. 115V-50/60 Hz	1 - Basic
CR430816021	8500 BTU/Hr. 115V-50/60 Hz	2 - Level 2 Controller
CR430816038	8500 BTU/Hr. 115V-50/60 Hz	3 - Low Ambient Temperature
CR430816010	8500 BTU/Hr. 115V-50/60 Hz	4 - Low Ambient/SST/Corrosion
CR430816023	8500 BTU/Hr. 115V-50/60 Hz	5 - Low Ambient/SST/Level 2
CR430816036	8500 BTU/Hr. 115V-50/60 Hz	6 - Outdoor/SST/Corrosion/4X
CR430826002	8500 BTU/Hr. 230V-50/60 Hz	1 - Basic
CR430826026	8500 BTU/Hr. 230V-50/60 Hz	2 - Level 2 Controller
CR430826007	8500 BTU/Hr. 230V-50/60 Hz	3 - Low Ambient Temperature
CR430826037	8500 BTU/Hr. 230V-50/60 Hz	4 - Low Ambient/SST/Corrosion
CR430826024	8500 BTU/Hr. 230V-50/60 Hz	5 - Low Ambient/SST/Level 2
CR430826038	8500 BTU/Hr. 230V-50/60 Hz	6 - Outdoor/SST/Corrosion/4X

In accordance with the Montreal Protocol, the CR43 Air Conditioners will be transitioned away from R22 refrigerant by December 31, 2009. Product performance will remain at top capacity. Visit hoffmanonline.com for product updates.



NOTE: Service cord terminated with appropriate plug cap.



Air Conditioners

CR23 Series

Catalog Number	Voltage	Hz	Phase	BTU/Hr. @		Amps @		Max. Amb. Temp (°F)	Max. Amb. Temp (°C)	Shipping Weight (lb.)	Shipping Weight (kg)
				131 F/131 F	131 F/131 F	95 F/95 F	95 F/95 F				
CR230216GXXX	115	50/60	1	1400/1600	4.1/4.5	1500/1700	3.8/3.6	131	55	57	26
CR230226GXXX	230	50/60	1	1400/1600	2.2/2.2	1500/1700	2.1/1.8	131	55	57	26

Because air conditioners provide less cooling at lower operating temperatures, two cooling capacity ratings are provided.
For Stainless Steel UL Type 4X models, add approximately 10 lbs. to shipping weight.
Replacement Filter No. 23200400

CR29 Series

Catalog Number	Voltage	Hz	Phase	BTU/Hr. @		Amps @		Max. Amb. Temp (°F)	Max. Amb. Temp (°C)	Shipping Weight (lb.)	Shipping Weight (kg)
				131 F/131 F	131 F/131 F	95 F/95 F	95 F/95 F				
CR290216GXXX	115	50/60	1	2000/2200	7.4/7.4	1700/2000	7.0/6.0	131	55	98	44
CR290226GXXX	230	50/60	1	2500/2700	4.6/3.9	1900/2300	4.4/3.3	131	55	98	44
CR290416GXXX	115	50/60	1	3500/4000	13.5/13.5	2400/2800	10.7/9.06	131	55	118	54
CR290426GXXX	230	50/60	1	3500/4000	6.7/6.7	2400/2800	5.9/5.3	131	55	118	54

Because air conditioners provide less cooling at lower operating temperatures, two cooling capacity ratings are provided.
For Stainless Steel UL Type 4X models, add approximately 10 lbs. to shipping weight.
Replacement Filter No. 10100032

CR43 Series

Catalog Number	Voltage	Hz	Phase	BTU/Hr. @		Amps @		Max. Amb. Temp (°F)	Max. Amb. Temp (°C)	Shipping Weight (lb.)	Shipping Weight (kg)
				131 F/131 F	131 F/131 F	95 F/95 F	95 F/95 F				
CR430616XXX	115	60	1	6000	13.7	5100	11.0	131	55	133	60
CR430626XXX	230	60	1	6000	6.9	5100	5.5	131	55	133	60
CR430816XXX	115	60	1	8500	16.0	7500	12.9	131	55	140	64
CR430826XXX	230	60	1	8500	8.2	500	6.3	131	55	140	64

Because air conditioners provide less cooling at lower operating temperatures, two cooling capacity ratings are provided.
For Stainless Steel UL Type 4X models, add approximately 10 lbs. to shipping weight.
Replacement Filter No. 10100044

Air Conditioners

Notes