

Cool SpaceRunner-LX800

PC/104-Plus Single Board Computer

AMD Geode™ LX800



Features

AMD Geode™ LX800 Processor, 500 MHz, 256 MB soldered DDR SDRAM

Graphics up to 1920 x 1440 pixels - CRT, TFT, LVDS, with backlight

LAN, 4 x USB 2.0

2 x RS232/RS422/RS485

2 GB Solid State Disk, IDE Ultra ATA100

Extended temperature range -40 °C ... +85 °C

Specifications

Board Format PC/104-Plus,
96mm x 90mm (3.775" x 3.550")

Processor AMD Geode LX800@0.9W

Speed 500 MHz

Core Logic I/O companion: CS5536
Super I/O: ITE8712

RAM 256 MB DDR400, soldered on board

RAM clock 400 MHz

Graphics Integrated in the Geode LX800.
Up to 254 MB video memory.

CRT Analog VGA
1920 x 1440 pixel at 85 Hz max.

LVDS Single channel, 18 and 24 bits
1600x1200 pixel at 60 Hz max.

USB 4 x USB 2.0 host ports

Ethernet 10/100 MBit with Intel 82551IT

Serial 2 x RS232/RS422/RS485

IDE 1 x Ultra ATA100 (ATA6) port

Solid State Disk 2 GB

LPT Multi-Mode™ bi-directional Parallel

Watchdog Yes

Status LED HDD, power, standby, power mode,
live, 3x Ethernet, watchdog

ISA Bus PC/104

PCI Bus PC/104-Plus, 3.3V compliant.
Peripherals need their own 3.3V supply.

I²C bus Supported

RTC Backup Integrated Lithium battery

Power Supply 5 V ±5 %
All necessary voltages are generated
on-board.

Power Consumption < 5 watts

Operating temperature 0°C...+60°C (commercial, all versions)
-20°C...+60°C (industrial, all versions)
-40°C...+85°C (extended, optional)

Cooling Not required

MTBF 294 173 hours at 25 °C

BIOS Insyde Technology
BIOS parameters are also saved in
FEPR0M

Supported OS Windows XP, XP Embedded,
Windows CE, Linux

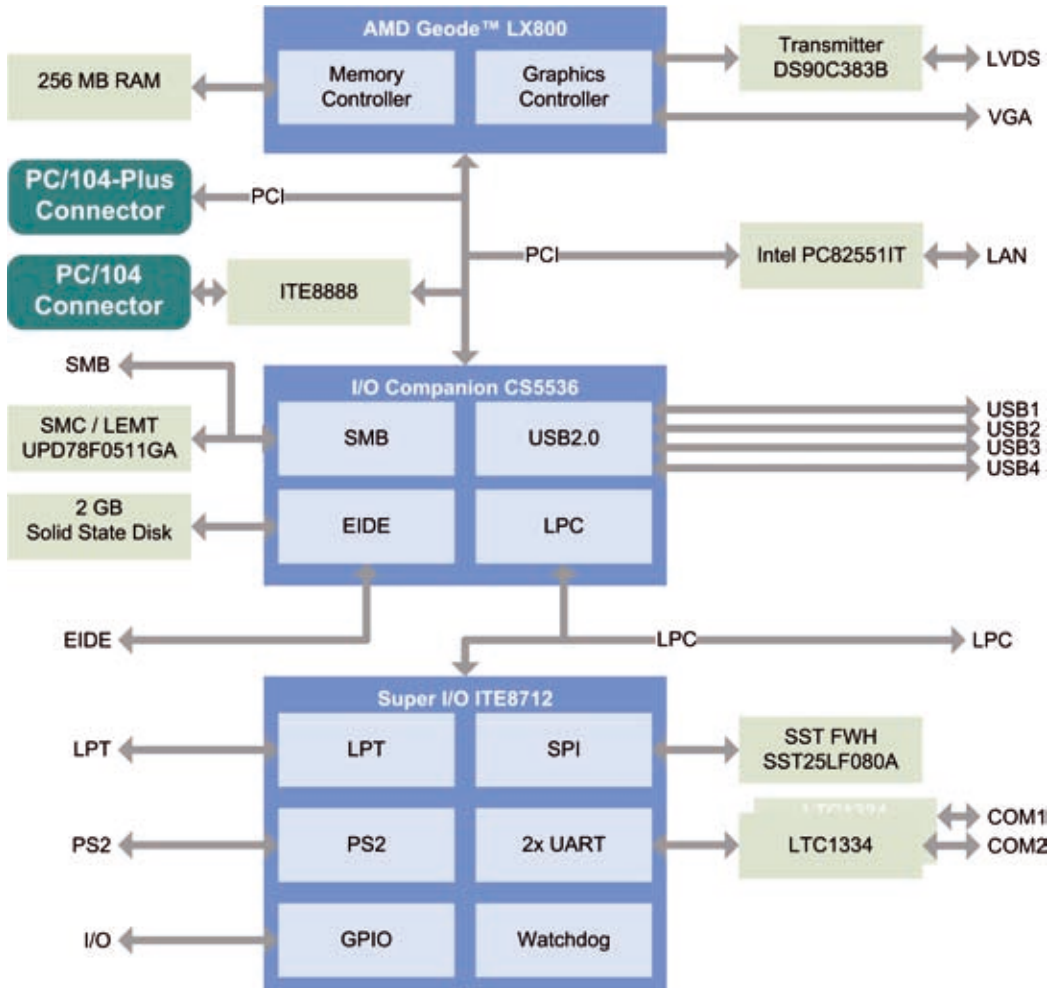
Cool SpaceRunner-LX800

PC/104-Plus Single Board Computer

AMD Geode™ LX800



Block Diagram



Ordering Information

Ordering Number	Description
t03-0019-10	PC/104-Plus CPU board with AMD Geode™-LX800@0.9W

Note: t denotes the temperature range. Use 7 for commercial, 8 for industrial and 9 for extended temperature range

02/12 - Specifications subject to change without notice - ©LIPPERT ADLINK TECHNOLOGY - Printed in Germany
All mentioned trademarks are the properties of their respective holders.