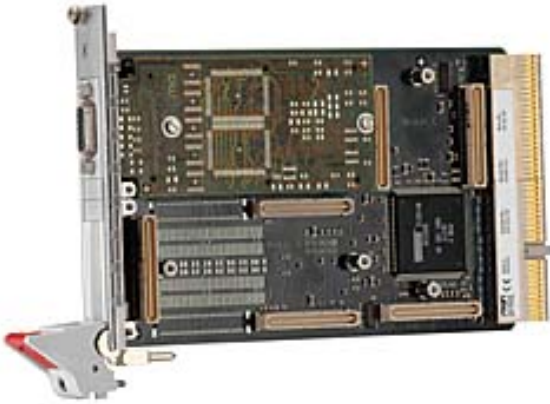


# F203 - 3U CompactPCI/PXI Carrier Board for PC-MIP



- ◆ 1 CompactPCI bus slot
- ◆ 1 PXI slot
- ◆ 3 PC-MIP slots

The F203 is a 3U PC-MIP carrier board for universal I/O on the CompactPCI bus or on the PXI bus. You can install up to three PC-MIPs on the F203, with two Type I/II PC-MIPs and one Type I PC-MIP.

Two Type II modules or one double PC-MIP module are accessible at the front panel. Rear I/O via the PC-MIP's J3 connectors, however, is not possible for any

of the three modules.

Even populated with three PC-MIPs, the D202 needs only one slot on the CompactPCI/PXI bus.

PC-MIPs are an ideal solution for flexible and fast CPU-related applications, which can make advantage out of the internal PCI bus of the PC-MIPs.

## Technical Data

### CompactPCI Bus

- Compliance with CompactPCI Specification 2.0 R2.1
- Only one slot required on the 3U CompactPCI bus
- DECchip 21150 PCI-to-PCI bridge
  - Target and/or initiator on PCI bus
  - Max. clock frequency 33MHz
  - Power supply 5V and 3.3V
- Compliance with PCI Specification 2.1
- 32-bit PCI data bus
- V(I/O): +3.3V or +5V (Universal Board)

### PC-MIPs

- Up to three PC-MIP modules on one board
- Support of 1 Type I and 2 Type II modules
- Local 32-bit PCI bus

### Peripheral Connections

- Via front panel

### Electrical Specifications

- Supply voltage/power consumption:
  - +5V (4.85V..5.25V), 5mA typ.
  - +3.3V, 150mA typ.
- MTBF: 80,000h @ 50°C

### Mechanical Specifications

- Dimensions: conforming to CompactPCI specification for 3U boards
- Front panel: aluminum with 1 handle
- Weight: 160g

### Environmental Specifications

- Temperature range (operation):
  - 0..+60°C
  - Industrial temperature range on request
  - Airflow: min. 10m<sup>3</sup>/h
- Temperature range (storage): -40..+85°C
- Relative humidity (operation): max. 95% non-condensing
- Relative humidity (storage): max. 95% non-condensing
- Altitude: -300m to + 3,000m
- Shock: 15g/0.33ms, 6g/6ms
- Vibration: 1g/5..2,000Hz

### Safety

- PCB manufactured with a flammability rating of 94V-0 by UL recognized manufacturers

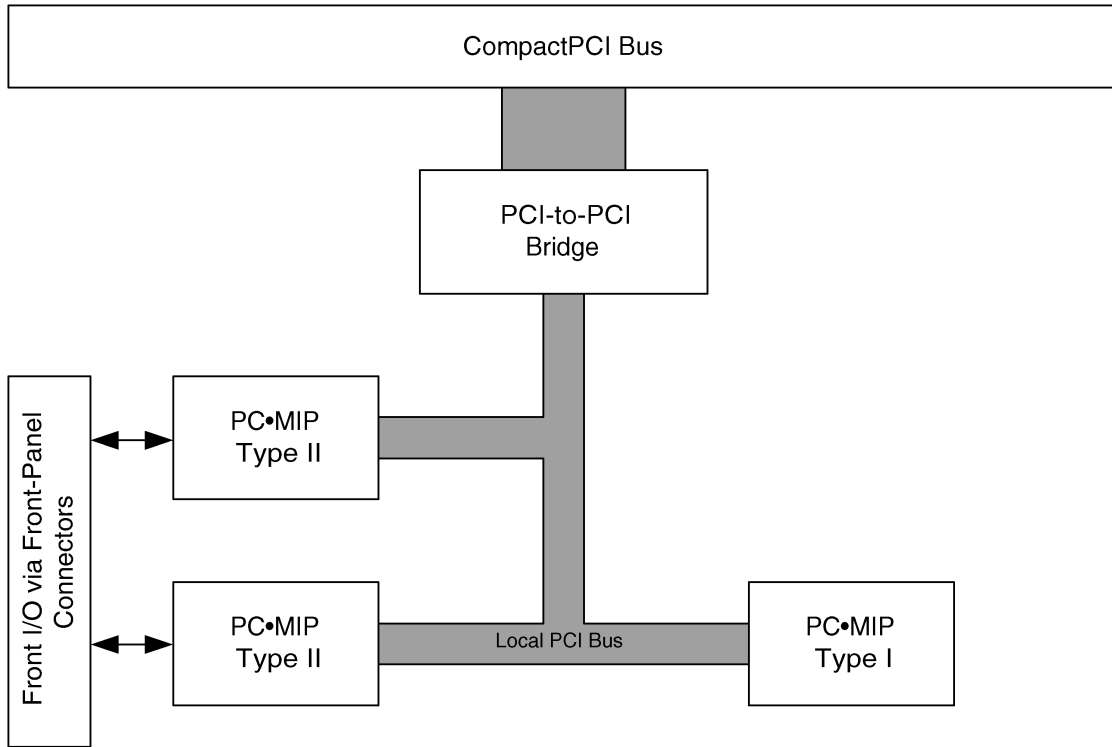
### EMC

- Tested according to EN 55022 / 1999-05 (radio disturbance) and EN 55024 / 1999-05 (immunity) with regard to CE conformity

### Software Support

- PC-MIP drivers for Windows, VxWorks, Linux, OS-9, RTX as supported

### Diagram



## Related Products

### Standard Hardware

02F203-00	F203, CompactPCI 3U, PC-MIP carrier board for 3 PC-MIPs
-----------	---

### Software

Driver software for Windows, Linux, VxWorks, QNX, RTX and OS-9 is available for the different PC-MIPs. Please refer to the PC-MIP/s of your choice for information and download.

### Documentation

20F203-00	F203 user manual
-----------	------------------

*For the most up-to-date ordering information and direct links to other data sheets and downloads, see the F203 online data sheet under [www.men.de](http://www.men.de). --> [Click here!](#)*

#### Germany

MEN Mikro Elektronik GmbH  
Neuwieder Straße 5-7  
90411 Nuremberg  
Phone +49-911-99 33 5-0  
Fax +49-911-99 33 5-901  
E-mail [info@men.de](mailto:info@men.de)  
[www.men.de](http://www.men.de)

#### France

MEN Mikro Elektronik SA  
18, rue René Cassin  
ZA de la Châtelaine  
74240 Gaillard  
Phone +33 (0) 450-955-312  
Fax +33 (0) 450-955-211  
E-mail [info@men-france.fr](mailto:info@men-france.fr)  
[www.men-france.fr](http://www.men-france.fr)

#### UK

MEN Micro Ltd  
Whitehall, 75 School Lane  
Hartford, Northwich  
Cheshire UK, CW8 1PF  
Phone +44 (0) 1477-549-185  
Fax +44 (0) 1477-549-178  
E-mail [info@menmicro.co.uk](mailto:info@menmicro.co.uk)  
[www.menmicro.co.uk](http://www.menmicro.co.uk)

#### USA

MEN Micro, Inc.  
PO Box 4160  
Lago Vista, TX 78645-4160  
Phone (512) 267-8883  
Fax (512) 267-8803  
E-mail [sales@menmicro.com](mailto:sales@menmicro.com)  
[www.menmicro.com](http://www.menmicro.com)

*The date of issue stated in this data sheet refers to the Technical Data only. Changes in ordering information given herein do not affect the date of issue. All brand or product names are trademarks or registered trademarks of their respective holders.*

*Information in this document has been carefully checked and is believed to be accurate as of the date of publication; however, no responsibility is assumed for inaccuracies. MEN Mikro Elektronik accepts no liability for consequential or incidental damages arising from the use of its products and reserves the right to make changes on the products herein without notice to improve reliability, function or design. MEN Mikro Elektronik does not assume any liability arising out of the application or use of the products described in this document.*

*The products of MEN Mikro Elektronik are not suited for use in nuclear reactors and for application in medical appliances used for therapeutical purposes. Application of MEN's products in such plants is only possible after the user has precisely specified the operation environment and after MEN Mikro Elektronik has consequently adapted and released the product.*

*Copyright © 2004 MEN Mikro Elektronik GmbH. All rights reserved.*