



# INDUSTRIAL SOLID STATE TIMER MODEL 1073 PLUG-IN

KANSON ELECTRONICS, INC.

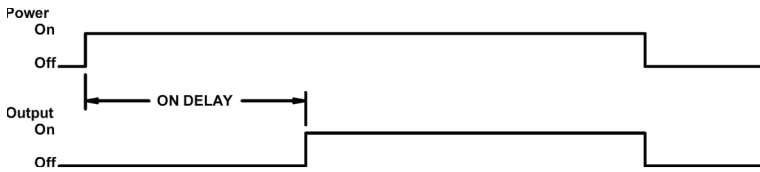
Multifunction timer with instant contacts or ON delay timer.

## Features:

- 5 timing functions.
- Input power initiates the timing sequence.
- Time ranges from 0.1sec to 500 hr.
- 100-240 VAC, 24 V AC/DC or 12 VDC input.
- 5 amp relay output.
- Power and output indication LEDs.

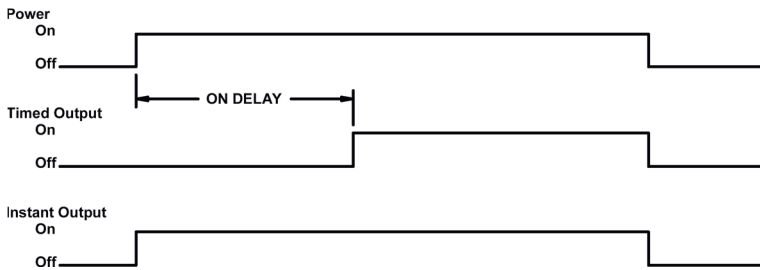


## TIMING



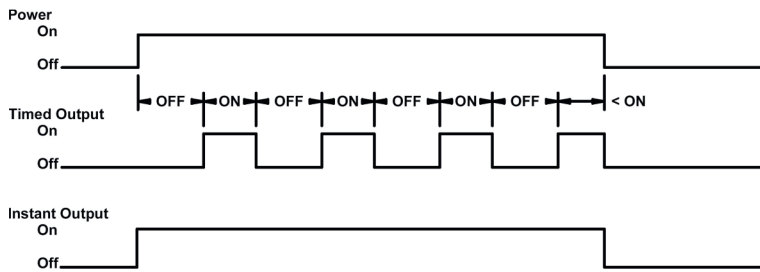
### ON DELAY - output B

- Control is affected with power application.
- When power turns on, delay time elapses before output turns on.
- The output remains on until the unit is reset by removing power.



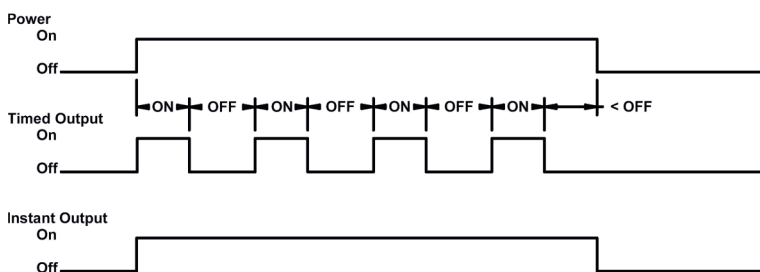
### ON - ON DELAY - output A

- Control is affected with power application.
- When power turns on, delay time elapses before timed output turns on.
- The timed output remains on until the unit is reset by removing power.
- Instant output directly follows control input.



### FL - REPEAT CYCLE START OFF - output A

- Control is affected with power application.
- When power turns on, the output remains off while time elapses.
- The output then turns on while time elapses.
- This cycle then repeats until power is removed from the unit.
- Instant output directly follows control input.



### FO - REPEAT CYCLE START ON - output A

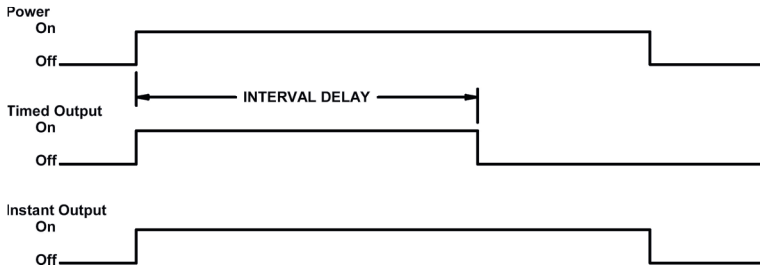
- Control is affected with power application.
- When power turns on, the output turns on while delay time elapses.
- The output then turns off while delay time elapses.
- This cycle then repeats until power is removed from the unit.
- Instant output directly follows control input.



# INDUSTRIAL SOLID STATE TIMER MODEL 1073 PLUG-IN

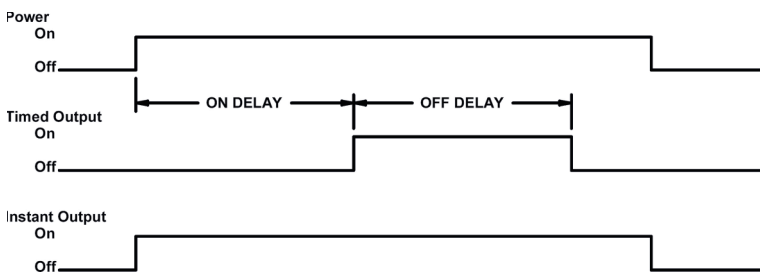
KANSON ELECTRONICS, INC.

## TIMING (CONT)



### OS - INTERVAL - output A

- Control is affected with power application.
- When power is applied, timed output turns on and remains on till delay time is elapsed or power is removed.
- Instant output directly follows control input.



### OC - ONE CYCLE - output A

- Control is affected with power application.
- When power turns on, delay time elapses before output turns on.
- The delay then restarts and output turns back off once delay time has elapsed.
- Instant output directly follows control input.

## SPECIFICATIONS

### INPUT

VOLTAGE:	100-420VAC, 24VAC/DC, 12VDC
FREQUENCY:	50/60Hz (AC Models)
TOLERANCE (VOLTAGE):	-15% to +10% of nominal
POWER CONSUMPTION:	10VA (100-240VAC), 2.5VA (24VAC), 2W (12VDC & 24VDC)
TRANSIENT PROTECTION:	MOV

### OUTPUT

TYPE:	Electromechanical relay
MECHANICAL LIFE:	20,000,000 operations
ELECTRICAL LIFE:	100,000 operations minimum (at full rated load)
RATING:	5A @ 240VAC (resistive)

### TIMING

TYPE:	Output B: On Delay only
	Output A: On Delay, Repeat Cycle Start Off, Repeat Cycle Start On, Interval, One Cycle
REPEAT ACCURACY:	±0.3% of setting
RESET TIME:	100 msec minimum
TIME RANGE:	0.01 to 500 hours in 16 ranges

### PHYSICAL

OPERATING TEMP:	-10° to 50° C (-14° to 122° F)
TIMING VARIATION VS. TEMP:	±2% maximum
MOUNTING:	Plug-in or Panel Mount
TERMINATION:	8-pin socket or screw terminals
HOUSING:	Polycarbonate
DEGREE OF PROTECTION:	IP50 (standard, IP65 (special)

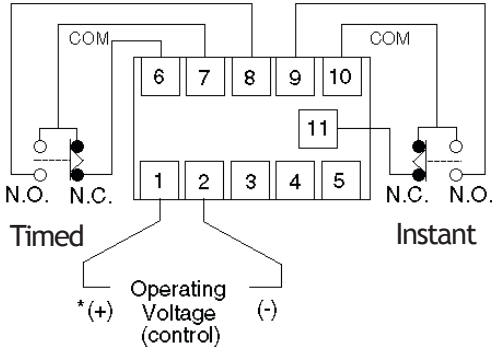


KANSON ELECTRONICS, INC.

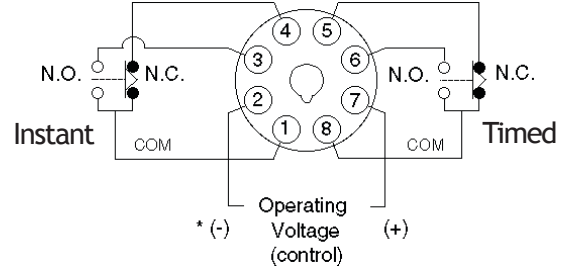
# INDUSTRIAL SOLID STATE TIMER MODEL 1073 PLUG-IN

## WIRING

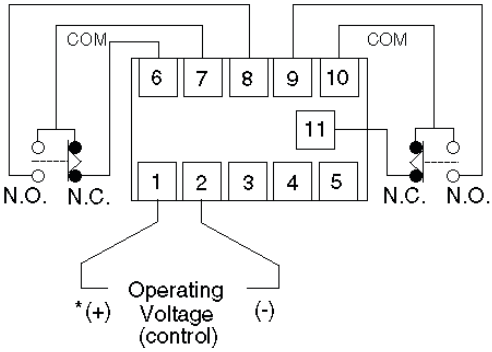
### OUTPUT A



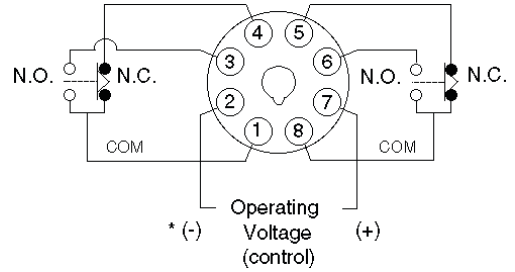
\*Polarity indicated for DC Models only.



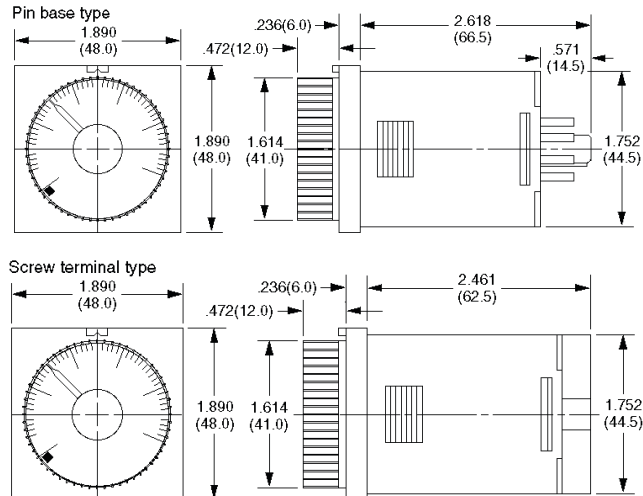
### OUTPUT B



\*Polarity indicated for DC Models only.



## DIMENSIONS INCH (MM)



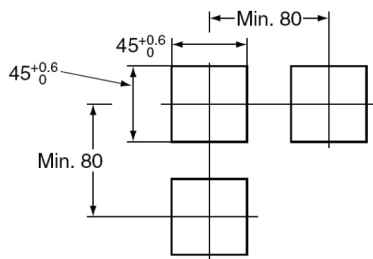


# INDUSTRIAL SOLID STATE MODEL 1073 TIMER PLUG-IN

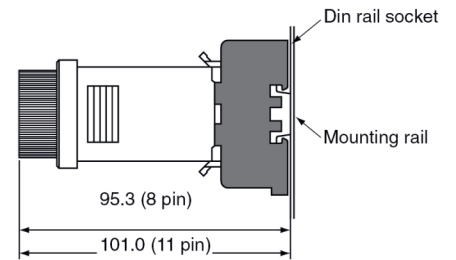
KANSON ELECTRONICS, INC.

## MOUNTING MM

**PANEL MOUNT**  
Panel mount clip RP-325 allows access to the timer face through the panel.



**DIN RAIL MOUNT**  
8 Pin socket RP-320 has built in hold down clips and is DIN rail compatible.



## ORDERING DATA

ORDERING CODE 1073 - 1 - P - 2 - A - 1 - 1

BASIC MODEL NUMBER

1073

INPUT VOLTAGE

- 1 100-240 VAC
- 2 24 V AC/DC
- 3 12 VDC

TIME RANGE

P	secs	mins	hrs	10 hrs
0.1-1.0	0.1-1.0	0.1-1.0	0.1-1.0	1.0-10
0.5-5.0	0.5-5.0	0.5-5.0	0.5-5.0	5.0-50
1.0-10	1.0-10	1.0-10	1.0-10	10-100
5.0-50	5.0-50	5.0-50	5.0-50	50-500

TIMING FUNCTION and OUTPUT

- 1 - B ON Delay with DPDT relay
- 2 - A ON Delay, Repeat Cycle, Interval, One Cycle  
Timed relay SPDT and Instant relay SPDT

TERMINATION

- 1 8 pin plug-in base
- 2 Screw terminals

DEGREE OF PROTECTION

- 1 IP50 Standard
- 2 IP65 Sealed unit

### APPLICABLE ACCESSORIES

See accessory section for details

8 pin socket	RP-320
8 pin reversible socket	RP-321
8 pin cable socket	RP-323
Panel mount clip	RP-325
Stop rings	RP-327