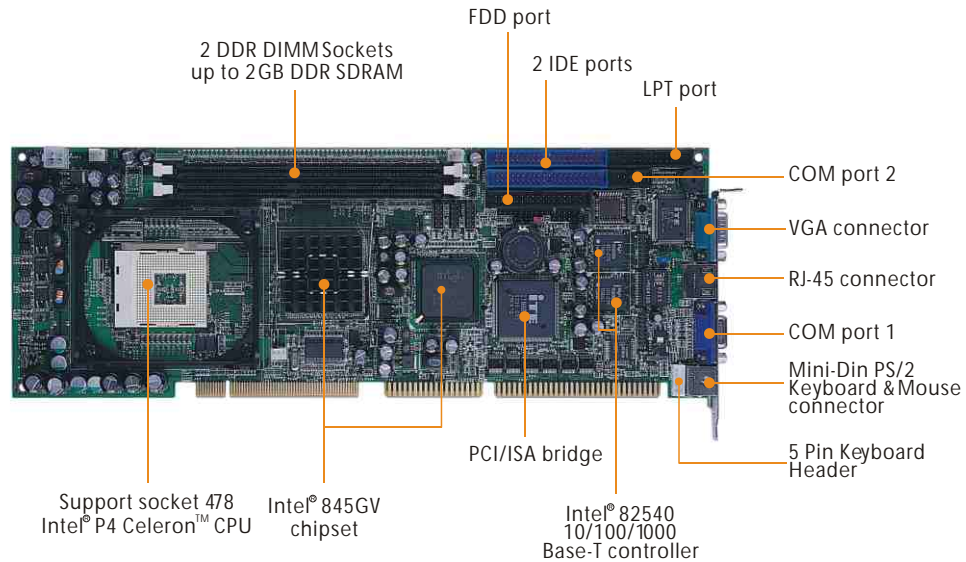


# IAC-F847B

Full-size Socket 478 P4/Celeron™ SBC with VGA/2xGbe LAN/DDR/HISA

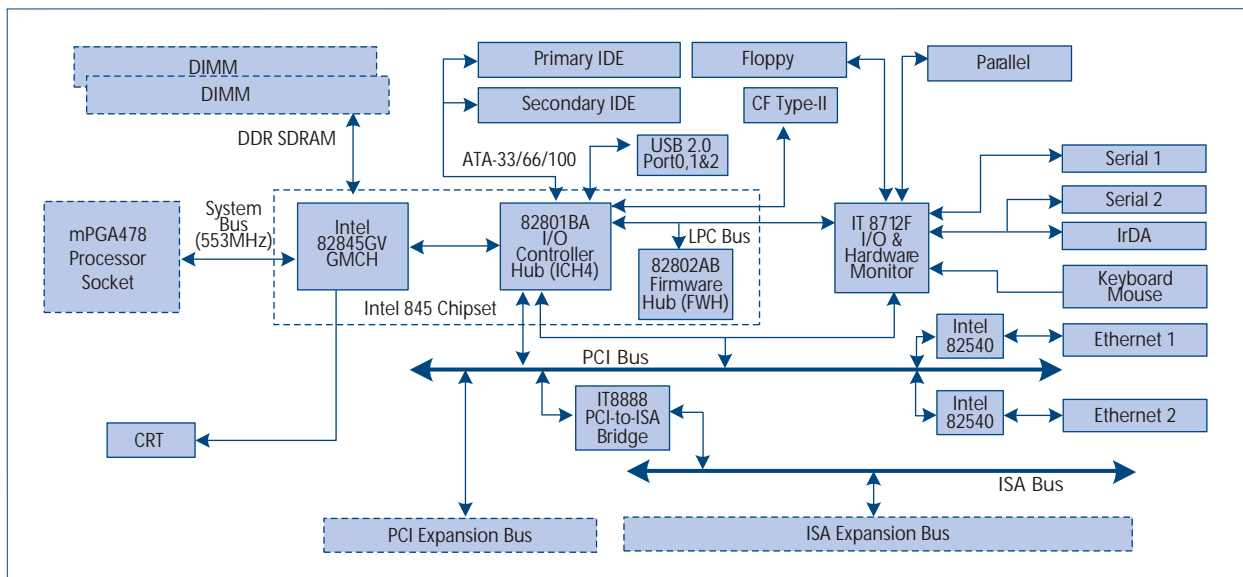


## FEATURES

Support Intel® Socket 478 Pentium® 4 Celeron™ processors  
 Support up to 2GB DDR PC-200/266 SDRAM  
 Intel® 845GV chipset with 533MHz FSB  
 On-board AGP 4x VGA controller with dynamic video memory  
 Up to 64MB

Dual Intel® 82540 10/100/1000Base-T Ethernet controllers  
 One CompactFlash socket, support ATA mode type II  
 PCI & ISA expansion bus

## DIAGRAM



# IAC-F847B

Full-size Socket 478 P4/Celeron™ SBC with VGA/2xGbe LAN/DDR/HISA

SBC


## SPECIFICATION

CPU	Intel® Pentium® 4 /Celeron™ in Socket 478
Chipset	Intel® 845GV Chipset
BIOS	Award® licensed BIOS (4MB flash ROM)
System Memory	2 x 184-pin DIMM sockets, support up to 2GB DDR PC-200/266 SDRAM
VGA Controller	On-board integrated VGA controller (AGP 4x), Auto detect dynamic video memory up to 64 MB
Ethernet	Dual Intel 82540 for GbE; Co-layout Intel 82562(LAN1) and 82551(LAN2) for FE, 10/100/1000 Base-T(GbE) or 10/100 Base-T(FE)
Audio/Sound	AC'97 2.0 CODEC reserved pin header support SML3B (IAC-F847B only)
Flash Memory Disk	CF Type-II at solder side
IDE Interface	2 IDE ports, support up to four devices and ATA 100/66/33
Floppy Drive Interface	1 FDD port, support up to 2 devices
Serial Port	2 RS-232 COM ports
Parallel Port	1 multi-mode parallel port (SPP/EPP/ECP)
Bus Interface	PCI & ISA (PICMG)expansion bus
Universal Serial Bus	3 Pin header for 6 ports (USB 2.0 compliant)
IR Interface	Support 1 IrDA header
Keyboard Connector	5-pin keyboard header
Keyboard / Mouse Connector	6-pin mini-DIN PS/2 keyboard/mouse connector
RTC	Internal RTC with Li battery
Watchdog Timer	16-level time-out intervals (by software program)
Power Consumption	+5V@2.81A (Pentium 4 3.06GHz, 1G DDR SDRAM) +12V: 4.35A
Hardware Monitor	On-board hardware monitoring function
Operating Temperature	0°C ~ 60°C
Storage Temperature	-20°C ~ 70°C
Humidity	5% ~ 95% RH, non-condensing
Dimensions	338 x 122mm (13.3" x 4.8")
Net Weight	450g (0.99pounds)

## ORDERING INFORMATION

IAC-F847A	with VGA/LAN (One 82562)
IAC-F847B	with VGA/Dual Gigabit LAN (Two 82540)
IAC-F847C	with VGA/Gigabit LAN (one 82540)

## OPTIONAL

	Item
	SML4 module for IAC-F847B