

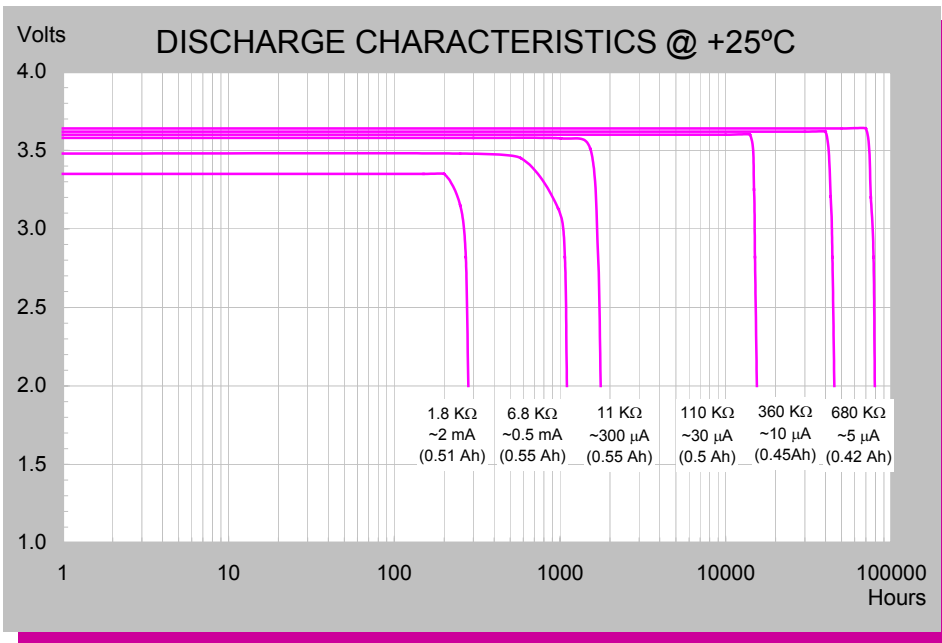
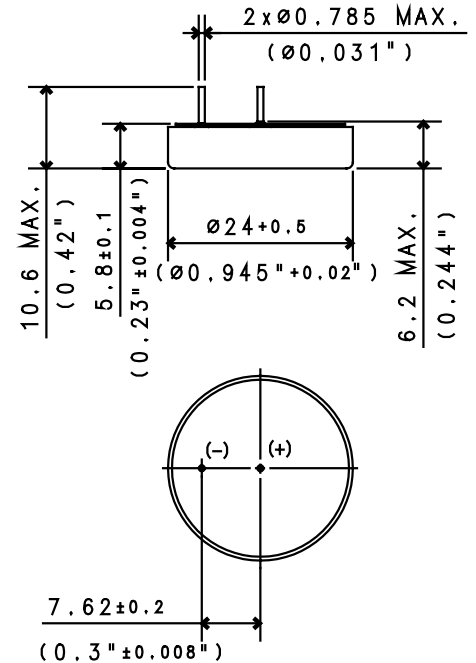
MODEL TLH-2450

TECHNICAL DATA

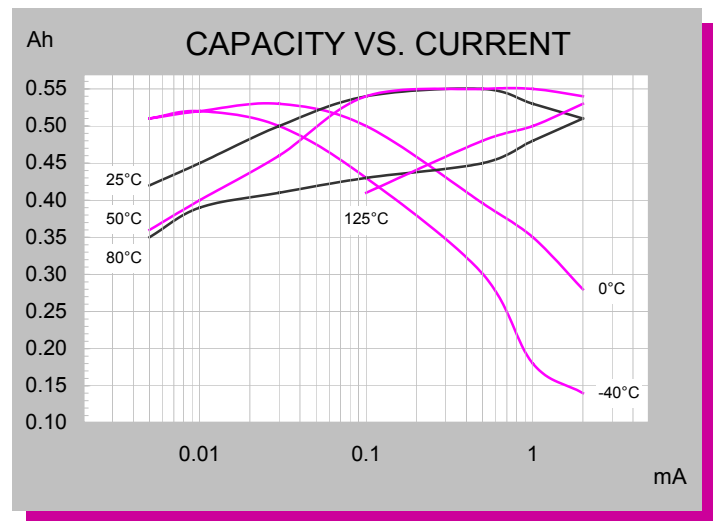
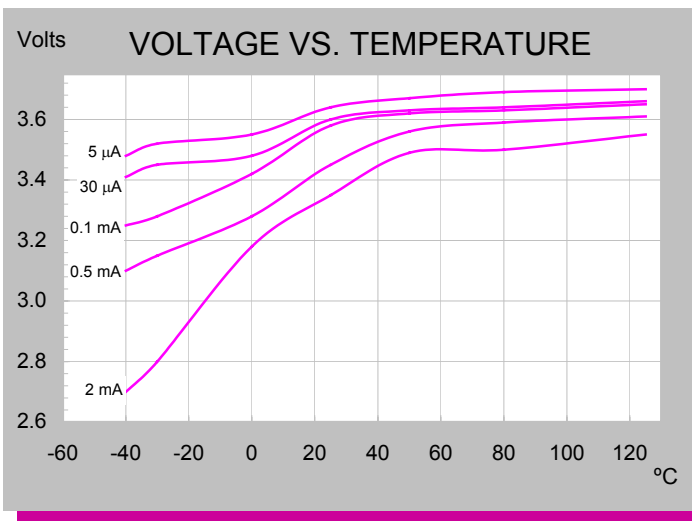
(Typical values @+25°C for batteries stored for one year or less)

| | |
|--|-----------------|
| ■ Nominal capacity @ 0.5 mA, to 2V | 0.55 Ah |
| ■ Rated voltage | 3.6 V |
| ■ Maximum recommended continuous current | 5 mA |
| ■ Maximum pulse current capability | 10 mA |
| ■ Weight | 8.8g (0.310 oz) |
| ■ Volume | 2.60 cc |
| ■ Operating temperature range | -55°C to +125°C |
| ■ Maximum duration @ +150°C | 3 hours |
| ■ U.L. Component Recognition MH 12193 | |

TADIRAN LITHIUM BATTERIES



ADDITIONAL INFORMATION
 SUFFIX - /P TIN PLATED NICKEL PINS
 CATALOGUE NO.: 15-2450-41530



For Tire Pressure Monitoring Systems

Note: Any presentations in this data sheet concerning performance are for information purpose only and are not construed as warranties either expressed or implied, of future performance.

ECN 1501187 Rev. B 01/06