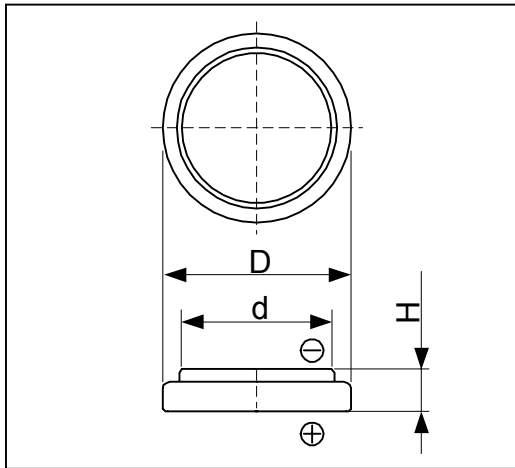


# Cell Type CR2450 Specifications



Nominal Capacity* <sup>1</sup>		610mAh
Nominal Voltage		3V
Standard Charge/Discharge Current		0.2mA
Max. Discharge Current	Continuous* <sup>2</sup>	2mA
	Pulse* <sup>3</sup>	30mA
Temperature Range		-20°C ~ 70°C
Weight		6.9g
Dimensions	D	24.5mm
	H	5.0mm
	d	21.4mm

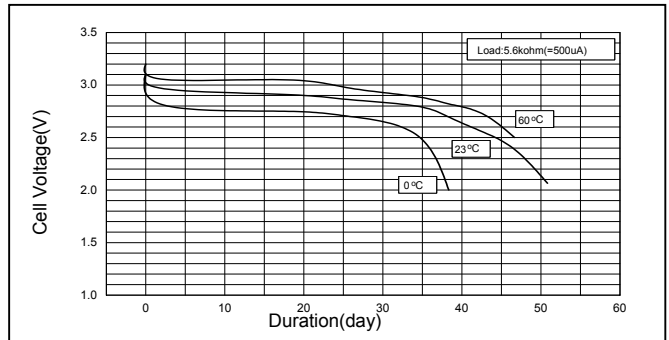
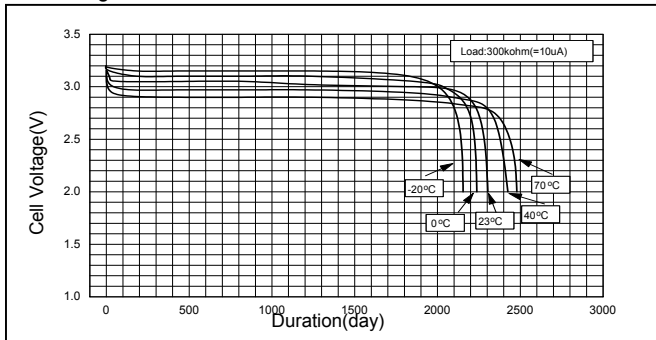
\*1 Nominal capacity is determined to an end voltage of 2.0V when the battery is allowed to discharge at a standard current level at 23°C.

\*2 Current value is determined to be the level at which 50% of the nominal capacity is obtained with an end voltage of 2.0V at 23°C.

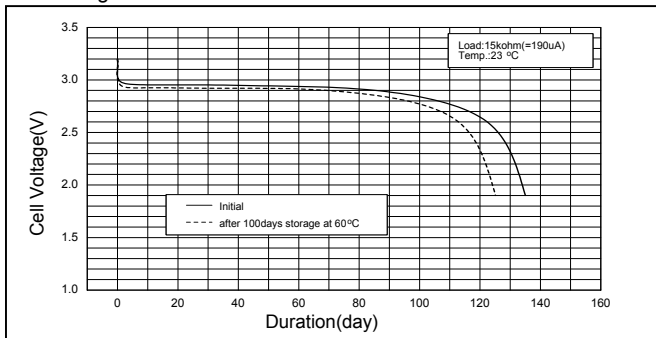
\*3 Current value for obtaining 2.0V cell voltage when pulse is applied for 15seconds at 50% discharge depth at 23°C.

## Typical Characteristics

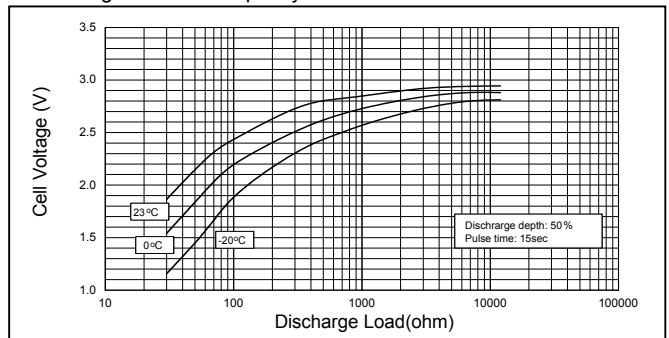
Discharge Characteristics of CR2450



Discharge Characteristics of CR2450



Discharge Load vs. Capacity of CR2450



Discharge Characteristics of CR2450