



Muffin AC - MU2A1 - 028021
(Family) (Model) (Part Number)

Electrical Specifications

Rated Voltage:	115 VAC
AC Frequency:	60 Hz
Power Supply:	14.0 Watts
Line Current:	0.16 Amps
Locked Rotor Current	0.25 Amps
Nominal Speed:	3100 RPM

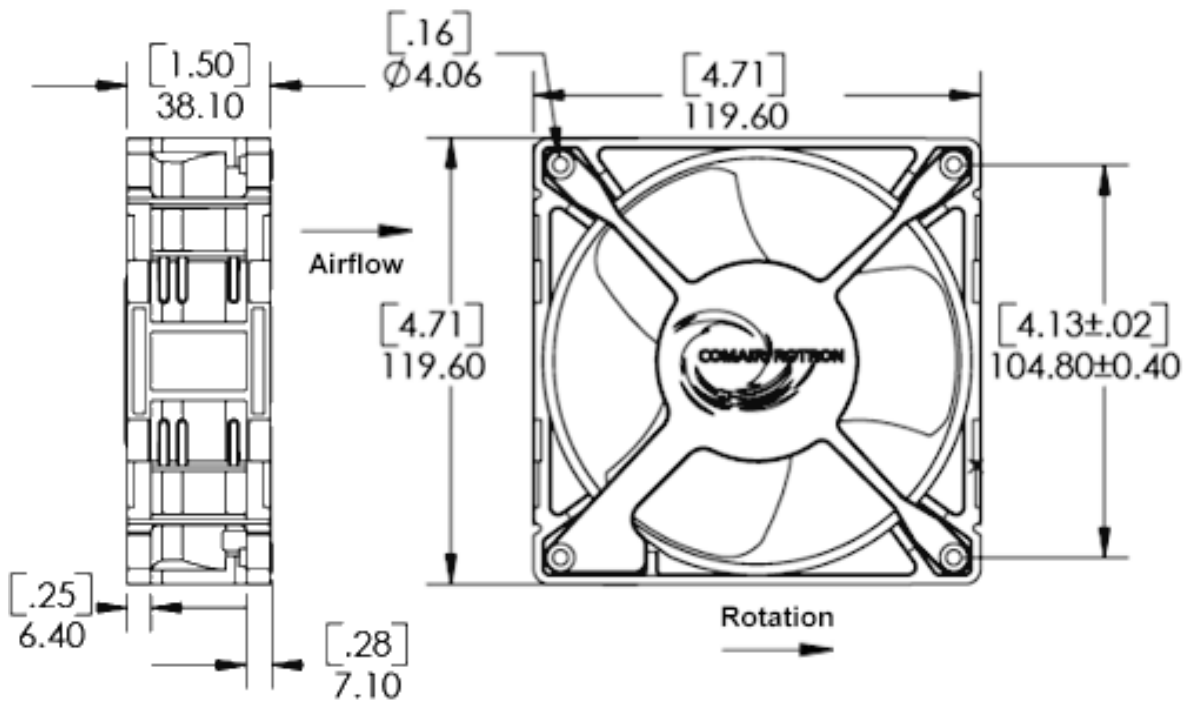
Mechanical Specifications

Dimensions:	4.72in x 1.50in
Weight	17.2 oz
Max Airflow @ 0 in H ₂ O	102.0 CFM
Max Pressure @ 0 CFM	0.296 in H ₂ O
Noise	45.1 dBA

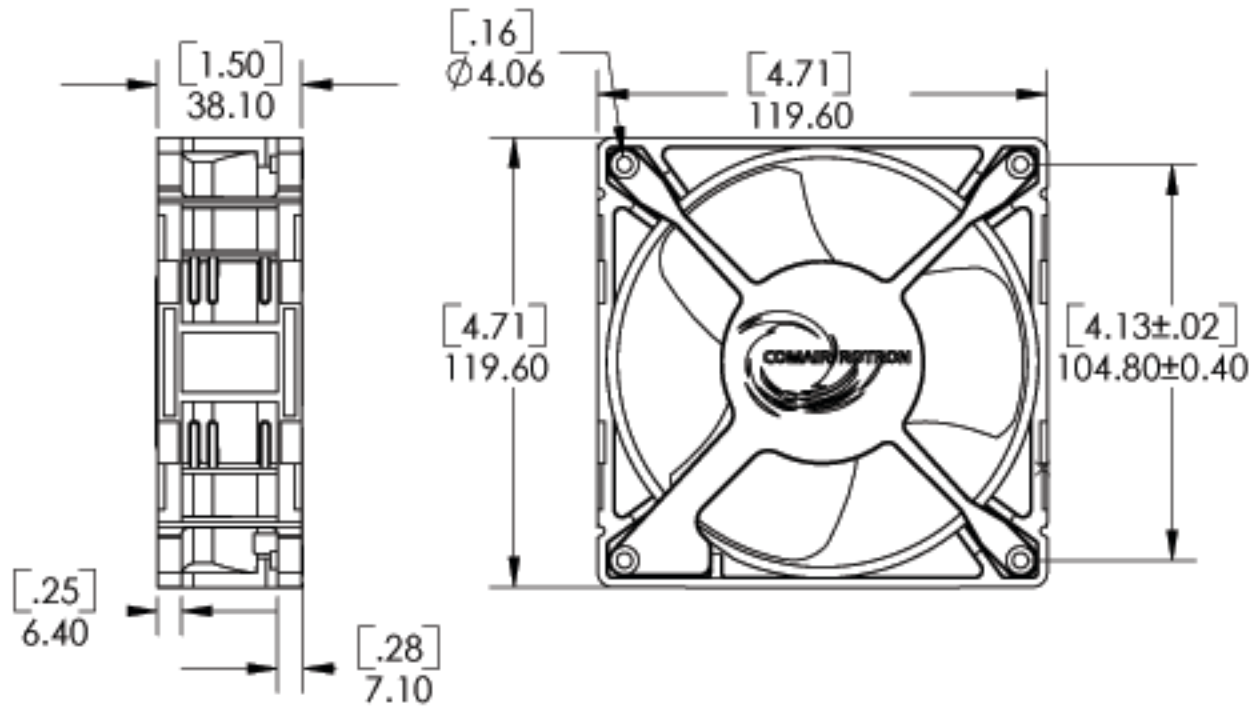
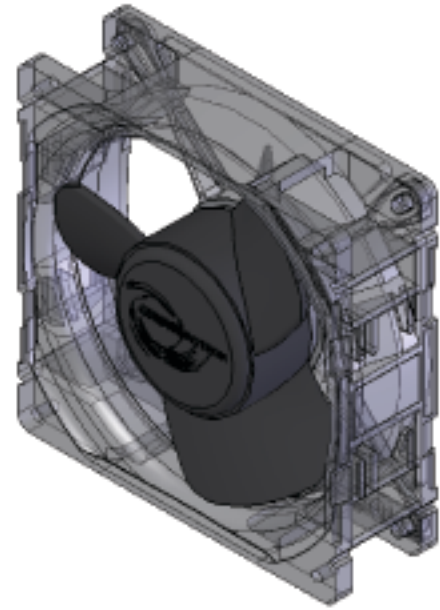




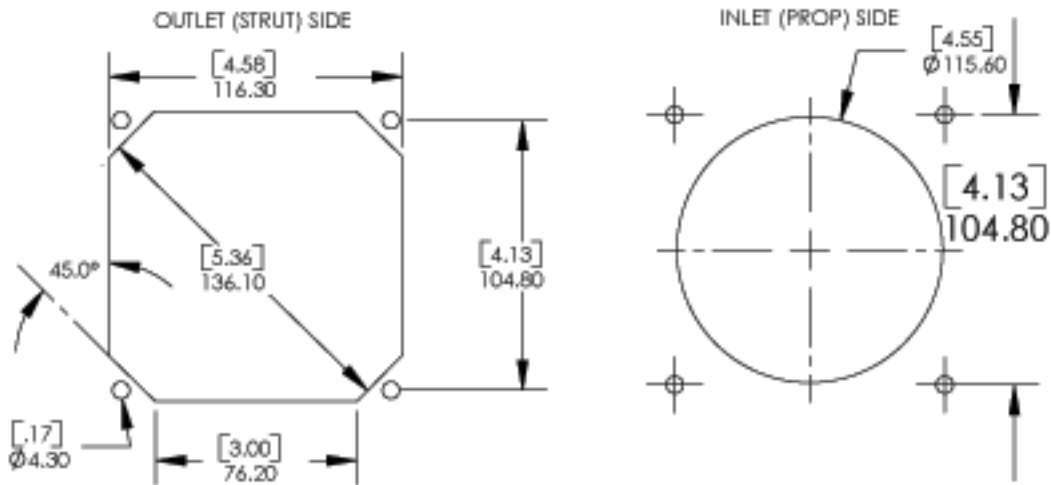
Mechanical Drawing



Part Number	Model Number	Bearing Type	Fan Rotation	Termination
028021	MU2A1	Sleeve	Normal	Terminals



RECOMMENDED CUTOUT



CONTACT INFO: WWW.COMAIRROTRON.COM			
TOLERANCE UNLESS OTHERWISE SPECIFIED: 2 PL DEC ± .01 (A) 3 PL DEC ± .00 (25) W/OLAP ± .30	AMERICAN PROJECTION 	3D MODEL FOUND AT..	
MUFFIN AC			