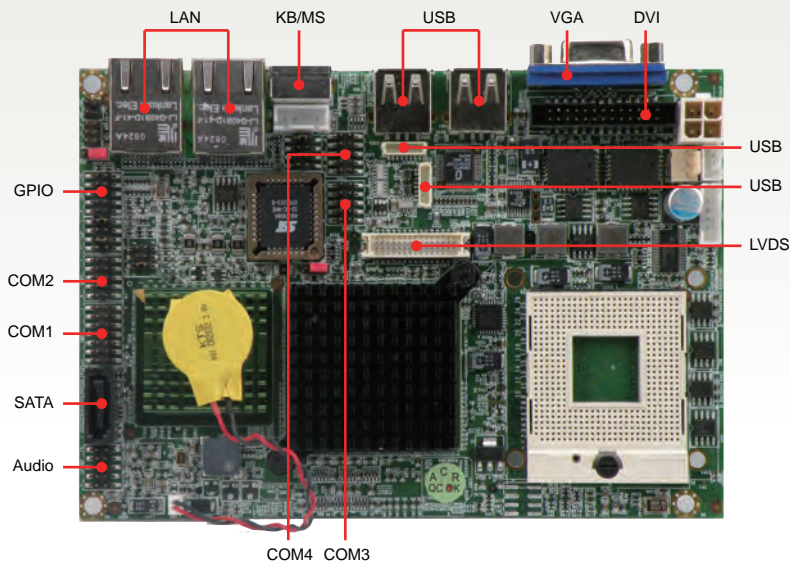


AR-B5250

3.5" SBC Support Intel Pentium M/Celeron M Processor
Dual Giga LAN, 4 x COM, 6 x USB2.0, LCD, SATA, CF



Features

- ✓ Intel 910GMLE + ICH6M
- ✓ Support Intel Pentium/Celeron M
- ✓ Support DDR2 400MHz up to 1GB
- ✓ VGA/DVI/LVDS
- ✓ Dual Giga LAN
- ✓ 4 x COM, 6 x USB2.0, CF, Audio

Specification

System

CPU	Socket 478 support Intel Pentium M/Celeron M
Chipset	Intel 910GMLE + Intel ICH6M
Memory	1 x 200-pin SO-DIMM socket support 400MHz DDR2 SDRAM up to 1GB
Battery	Lithium Battery, 3V 220mAH
BIOS	Award
Hardware	Yes
Monitoring	
WatchDog Timer	Software programmable 1~255 sec.
OS	Windows XP/XP Embedded/CE, Linux

Video

Video Controller	ntel 910GMLE support Intel graphics media accelerator 900
Video Interface	1 x VGA (DB15) 1 x DVI (Onboard pin header, Option) 1 x Dual Channel 18-bit LVDS (Onboard pin header)

Ethernet

Connector	2 x RJ45
Controller	Intel 82574L (Giga bps)

Storage

SATA	1 x SATA 1 port
SSD	1 x Compact Flash socket

I/O

Serial Port	3 x RS-232, 1 x RS-232/422/485 (4 x onboard pin header)
USB Port	6 x USB2.0 (2 x external port, 4 x onboard pin header)
Audio	AC'97 Stereo (MIC-In/Line-In/Line-Out)
GPIO	8-bit GPIO
Keyboard/Mouse	PS/2 keyboard and mouse connector

Mechanical & Environment

Dimension	145mm x 102mm
Power Requirement	AT : 12V single voltage input
Operating Temp.	0~60°C (32~140°F)
Storage Temp.	-20~80°C (-4~176°F)
Relative Humidity	5 to 90% @ 40°C, non-condensing
Safety	CE FCC class A

Packing List

1. AR-B5250 x 1
2. Quick manual x 1
3. Driver CD x 1
4. Cooler (Socket model only) x 1
5. CPU heat sink (Onboard CPU type only) x 1

Ordering Information

AR-B5250	AR-B5250 with Celeron/Pentium M
AR-B5250CM1GZC	AR-B5250 with Celeron M 1GHz, Zero L2 cache
AR-B5250CM6C	AR-B5250 with Celeron M 600MHz, 512KB L2 cache
ACC-5250 (Optional)	1. PS/2 keyboard and mouse cable x 1 2. ATX cable x 1 3. DVI cable x 1 4. Audio cable x 1 5. USB cable x 1 6. SATA cable x 1 7. SATA power cable x 1 8. COM cable x 1