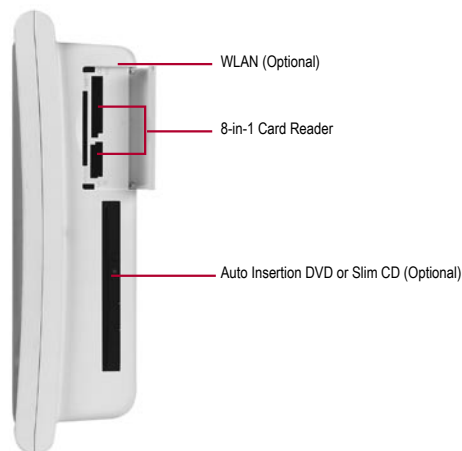
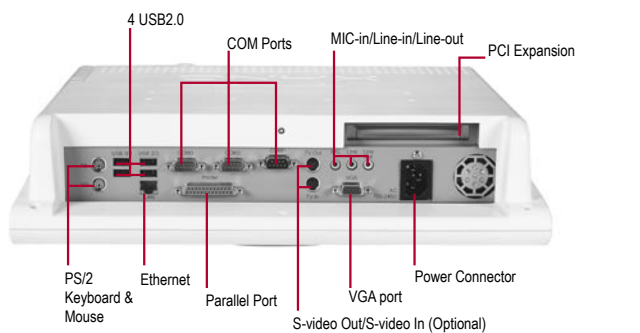


# ONYX-173

■ Low Noise Medical Station, 17" LCD with Pentium® M Processor



## Features

- 17" True Color High Contrast 380 Nits Medical LCD
- Integrated Security Smart Card Reader (Optional)
- Telemedicine Solution
- Mini-PCI Capture Card Supports Non-DICOM To DICOM CAM (Optional)
- High Performance & Low Power System Solution
- 802.11a/b/g/n Wireless Antenna (Optional)



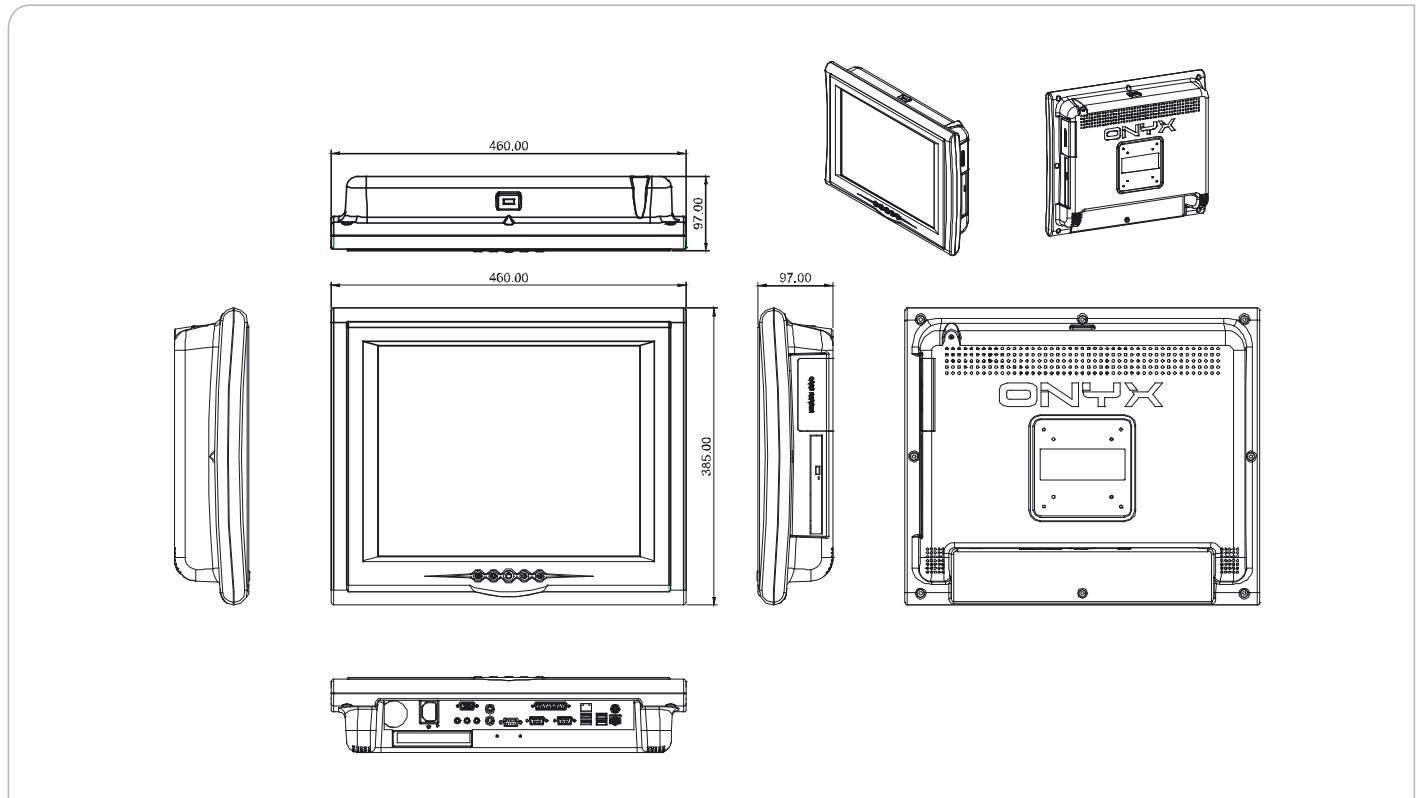
## Specifications

Main Specifications	
Processor	Intel® Pentium® M (up to 2.0 GHz)/ Celeron® M processor
Memory	184-pin DDR SDRAM DIMM x 1, Max. 1 GB (DDR-266/333)
OS Support	MS DOS, Windows® 2000, Windows® XP, Windows® 7
Expansion Interface	PCI x 1, Mini-PCI x 1
Storage Disk Drive	Slim DVD/CD x 1 (optional), 2.5" Hard Disk Drive x 1 (optional), 8-in-1 Card Reader x 1
Display	
Size	17"
Resolution	1280 x 1024
Max. Colors	16.7M
Luminance	380 nits
Contrast Ratio	1000 : 1
Viewing Angle	170° (H)/ 170° (V)
Back Light MTBF (Hours)	50,000
Touch Screen	5-wire Resistive/ 2048 x 2048
I/O	
Audio	MIC-in, Line-in, Line-out
USB	External x 5 and internal x 2
Serial port	3 ports: RS-232 x 2, RS-232/422/485 x 1
Ethernet	10/100 Base-TX Ethernet x 1
Parallel port	Printer port x 1
Keyboard & Mouse	PS/2 Keyboard x 1, PS/2 Mouse x 1
Video	S-video out x 1/ S-video in x 1 (optional)
Speaker	Speaker x 2 (2W)
Mechanical and Environmental	
Power Requirement	100/240V AC DC Model: 15V-24V DC
Operating Temperature	32°F ~ 104°F (0°C ~ 40°C)
Storage Temperature	-4°F ~ 140°F (-20°C ~ 60°C)
Storage Humidity	10% ~ 95% @35°C, non-condensing
Mounting	VESA 75/100
Gross Weight	22.66 lb (10.3 kg)
Net Weight	19.36 lb (8.8 kg)
EMC	CE/FCC Class B, UL 60601-1, EN 60601-1

# ONYX-173

## Dimension

Unit: mm



## Ordering Information

- **TF-ONYX-173HT-A1**  
Medical Station, Pentium® M 1.6 GHz, 17" 380 nits TFT, 1P, AC, Card Reader, 1 Mini PCI
- **TF-ONYX-173HT-A2**  
Medical Station, Celeron® M 1.3 GHz, 17" 380 nits TFT, 1P, AC, Card Reader, 1 Mini PCI
- **TF-ONYX-173HTT-A1**  
TF-ONYX-173HT-A1 w/Resistive TouchScreen
- **TF-ONYX-173HTT-A2**  
TF-ONYX-173HT-A2 w/Resistive TouchScreen
- **TF-ONYX-173DT-A1**  
Medical Station, Pentium® M 1.6 GHz, 17" 380 nits TFT, 1P, DC24, Card Reader, 1 Mini PCI
- **TF-ONYX-173DT-A2**  
Medical Station, Celeron® M 1.3 GHz, 17" 380 nits TFT, 1P, DC24, Card Reader, 1 Mini PCI
- **TF-ONYX-173DTT-A1**  
TF-ONYX-173DT-A1 w/Resistive TouchScreen
- **TF-ONYX-173DTT-A2**  
TF-ONYX-173DT-A2 w/Resistive TouchScreen

## Optional Accessories

- **184-pin DDR SDRAM**
- **TF-PER-M00**  
Slim Auto Insertion DVD ROM, 8X, COMBO, White Color
- **TF-PER-M03**  
Slim Auto Insertion DVD-RW, White Color
- **TF-PER-M07**  
Mini-PCI Capture Card
- **TF-PER-M02**  
PCI TV tuner, Capture Card
- **TF-PER-M08**  
Barcode Scanner, 500 Scans Per Second
- **TF-PER-M04**  
USB Skype Phone
- **TF-PER-M17**  
USB Finger Printer
- **9741666646**  
Wireless LAN Kit
- **TF-PER-M13**  
Medical Adapter, 24V 100W
- **PER-M20**  
Desktop Stand with VESA 75/100, Cool Gray 3C
- **PER-M19**  
3-level Trolley
- **AP-LN9686Q80200**  
WLAN Kit, IEEE 802.11 a/b/g/n