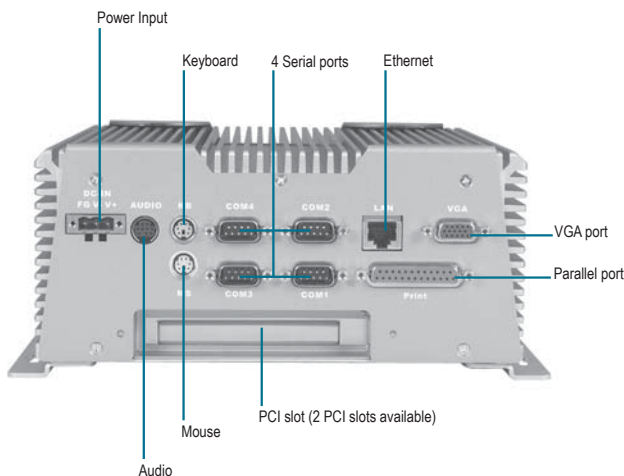
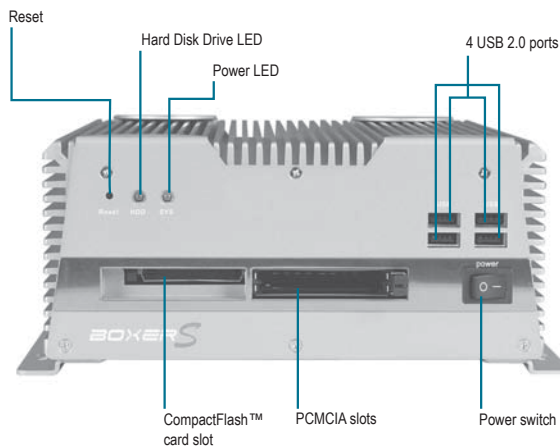


Advanced Fanless Embedded Controller with Intel® Pentium® M/ Celeron® M Processors and PCI Expansion



Features

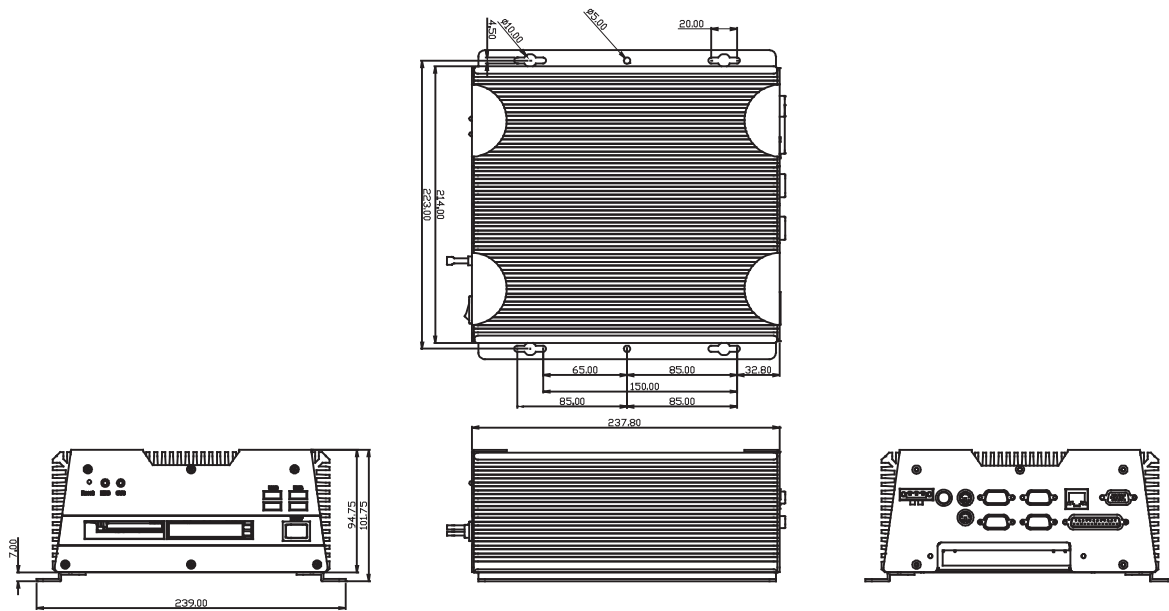
- Fanless Design
- Intel® Pentium® M (up to 2.0GHz)/ Celeron® M Processors
- 1 PCI (Optional 2nd PCI)/ 2 PCMCIA Slots
- Wide Range DC or AC Power Input
- Ethernet/ 4 COM/ 4 USB/ Audio/ Parallel/ CFD
- Anti-vibration and Shock Resistant
- Machine Control, Security Node, Data Analyzer Platform
- AT Power Function



Specifications

System	
Processor	Intel® Pentium® M (up to 2.0GHz)/ Celeron® M Processor
System Memory	DDR SDRAM DIMM x 1, Max. 1 GB
Expansion	PCI x 1 (Optional 2nd PCI), PCMCIA slot x 2
VGA/ Keyboard/ Mouse	DB-15 VGA Connector, PS/2 Keyboard & Mouse
Ethernet	10/100Base-TX RJ-45 connector x 1
SSD	Type II CompactFlash™ slot x 1
Hard Disk Storage	2.5" Hard Disk Drive Bay
Serial Port	RS-232 x 3, RS-232/422/485 x 1
Audio	Mic-in/ Line-in/ Line-out, requires an extension cable
USB	USB 2.0 port x 4
Parallel Port	Printer port x 1
System Control	Power on/ off switch x 1, Reset button x 1
LED Indicator	Power LED x 1, Hard Disk Drive active LED x 1
Watchdog Timer	Generates a time-out system reset, setting via software
Power Supply	1. DC Input: Internal DC-DC Converter (Default) Input voltage: 9V DC ~ 30V DC
	2. AC Input: External Power Adapter (Optional) Input voltage: 100V AC ~ 240V AC @ 50 ~ 60Hz
Power Consumption	Intel® Pentium® M 1.3GHz, DDR333 256MHz 12V@2.2A
MTBF (Hours)	40,000
OS Support	Windows® XP, Windows® 2000, Windows® XP Embedded
Mechanical	
Construction	Rugged Aluminum Alloy chassis
Color	Mustard
Mounting	Wallmount
Dimension	8.4"(W) x 3.7"(H) x 9.4"(D) (214mm x 94.8mm x 237.8mm) - 1 PCI 8.4"(W) x 4.6"(H) x 9.4"(D) (214mm x 117.5mm x 237.8mm) - 2 PCI
Carton Dimension	13.2"(W) x 11.6"(H) x 10.2"(D) (336mm x 294mm x 260mm)
Net Weight	12.4 lb (5.63 kg) - 1 PCI 13.7 lb (6.21 kg) - 2 PCI
Environmental	
Operating Temperature	5°F ~ 131°F (-15°C ~ 55°C) (P-M 1.6GHz, CFD)
	5°F ~ 122°F (-15°C ~ 50°C) (P-M 1.6GHz, Automotive Hard Disk Drive)
	5°F ~ 113°F (-15°C ~ 45°C) (P-M 1.6GHz, Normal Hard Disk Drive)
Operating Humidity	5~95%@40°C, non-condensing
Vibration	5 grms/ 5 ~ 500Hz/ random operation (CFD)
	1 grms/ 5 ~ 500Hz/ random operation (Internal Hard Disk Drive active Module)
Shock	50 g peak acceleration (11 msec. duration) (CFD)
	20 g peak acceleration (11 msec. duration) (Hard Disk Drive Module)
EMC	CE/FCC class B, UL, EN-50155, EN-60601

Dimension Unit: mm



Ordering Information

- **TF-AEC-6910-A1**
Embedded Controller, Intel® Pentium® M 1.6GHz CPU, Fanless, DC 9-30V, 1 PCI, 512MB RAM
- **TF-AEC-6910-A2**
Embedded Controller, Intel® Celeron® M 1.3GHz CPU, Fanless, DC 9-30V, 1 PCI, 256MB RAM
- **TF-AEC-6910-B1**
Embedded Controller, Intel® Pentium® M 1.6GHz CPU, Fanless, DC 9-30V, 2 PCI, 512MB RAM
- **TF-AEC-6910-B2**
Embedded Controller, Intel® Celeron® M 1.3GHz CPU, Fanless, DC 9-30V, 2 PCI, 256MB RAM
- **TF-AEC-6910-A4**
Embedded Controller, Intel® Pentium® M 2.0GHz CPU, Fanless, DC 9-30V, 1 PCI, 512MB RAM
- **TF-AEC-6910-B4**
Embedded Controller, Intel® Pentium® M 2.0GHz CPU, Fanless, DC 9-30V, 2 PCI, 512MB RAM

Optional Accessories

- **1757912001**
AC Adapter (120W); Input: AC 100~240V, Output: DC 19V
- **1702031830**
Power Cord (US type)
- **1702031831**
Power Cord (European type)
- **1702031810**
Power Cord (Japanese Type)
- **9741691011**
CD-ROM Kit for AEC-6910 B1/B2
- **9741691007**
3.5" Hard Disk Drive Kit for AEC-6910 B1/B2
- **9741691006**
CD-ROM Kit for AEC-6910 A1/A2
- **9783204006**
Automotive Hard Disk Drive 40G