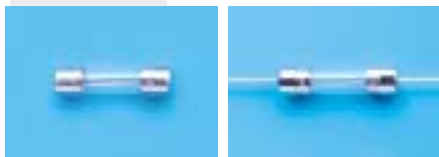


## Type 5ET / 5ETP

5 x 20mm Glass Tube  
RoHS Compliant

Time-lag Fuse Series (High Surge-proof, Enhanced-breaking Capacity)

5ETDI105



### Electrical Characteristics (IEC-127-2 STANDARD SHEET 6)

Rated Current	1.5 In		2.1 In		2.75 In		4 In		10 In	
	MIN	MAX	MIN	MAX	MIN	MAX	MIN	MAX	MIN	MAX
1A to 12A	1	2	600	10	150	3	20	300		
	hr.	min.	ms	sec	ms	sec	ms	ms		

### Approvals



Safety Agency Approvals	Amp range / Volt @ I.R. ability
Certificate No. 9710054 Certificate No. 401380	1A - 6.3A / 250V AC @ 150A 8A - 12A / 250V AC @ 150A
Licence No. 40007746 Recognized File No. E20624 Acceptance File No. LR39772 Licence No. 2003010207030342	1A - 6.3A / 250V AC @ 150A

### RoHS Compliant Product

For RoHS Compliant Version, add suffix "R" after catalog number

### Operating Temperature

-55°C to +125°C

### Physical Specification

#### Materials

Glass body / Nickel Plated Brass Caps

Lead wire:

Tin plated copper alloy,

Diameter 0.032", 6.3A and less

Diameter 0.040", 8A and above

#### Marking

On fuse:

"bel", "T", "Current Rating", "E", "250V",  
 "Appropriate Safety Logos", "✓" (RoHS Version)

On label:

"bel", "5ET" or "5ETP", "Current Rating", "Voltage Rating", "Interrupting Rating", "Appropriate Safety Logos" and "R" suffix "R" for RoHS Version

Catalog Number	RoHS Suffix	Ampere Rating	Typical Cold Resistance (ohm)	Volt-drop @100% In (Volt) max.	Melting I <sup>2</sup> T < 10 mSec (A <sup>2</sup> Sec)	Melting I <sup>2</sup> T @ 10 In (A <sup>2</sup> Sec)	Maximum Power Dissipation (W)
5ET (P) 1	-R	1A	0.110	0.14	28	29	0.42
5ET (P) 1.25	-R	1.25A	0.080	0.13	42	43	0.42
5ET (P) 1.6	-R	1.6A	0.059	0.12	62	64	0.51
5ET (P) 2	-R	2A	0.043	0.11	92	95	0.61
5ET (P) 2.5	-R	2.5A	0.031	0.11	137	142	0.74
5ET (P) 3.15	-R	3.15A	0.022	0.10	203	211	0.90
5ET (P) 4	-R	4A	0.016	0.095	300	313	1.08
5ET (P) 5	-R	5A	0.012	0.090	444	465	1.31
5ET (P) 6.3	-R	6.3A	0.009	0.084	658	691	1.58
5ET (P) 8	-R	8A	0.007	0.079	252	277	3.11
5ET (P) 10	-R	10A	0.005	0.075	400	440	3.68
5ET (P) 12	-R	12A	0.003	0.070	635	699	4.36

Consult manufacturer for other ratings

### Packaging

1. In bulk:

5ET - 1,000 pcs per box; 5ETP - 500 pcs per box

2. On Axial Tape & Reel:

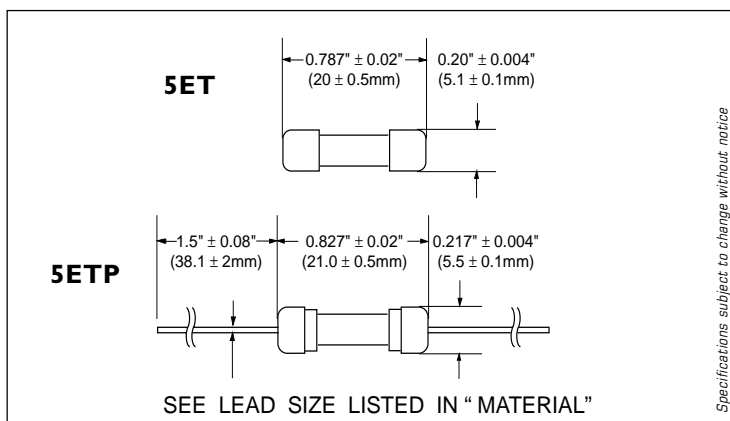
1,500 pcs per reel

3. Tape & Reel specification:

per EIA-296-E & IEC 286-1

@ 10mm Pitch and 63.5mm inside Tape Spacing

### Mechanical Dimensions



Specifications subject to change without notice

ORDERING INFORMATION SEE LAST 2 PAGES

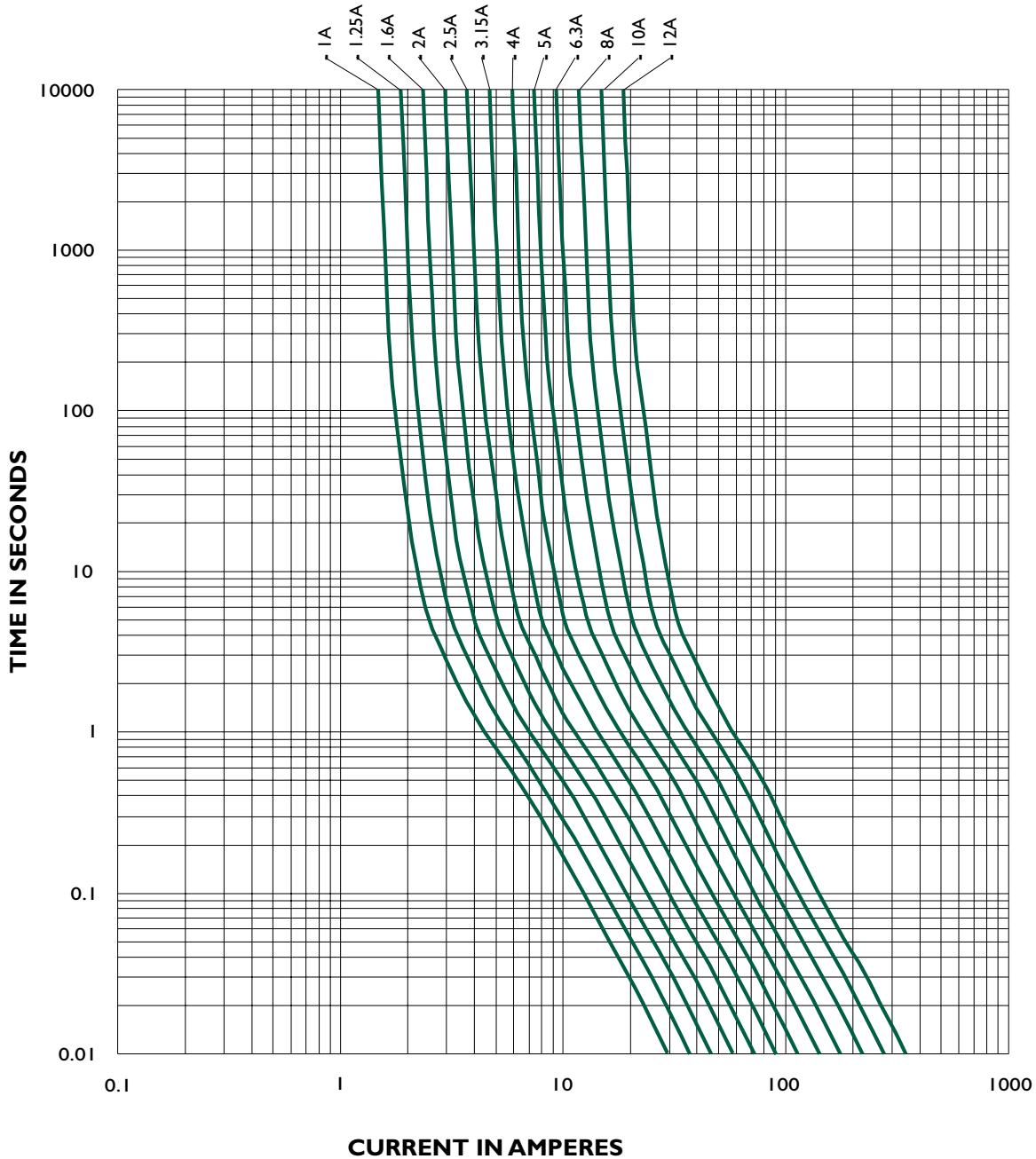
# Type 5ET / 5ETP

5 x 20mm Glass Tube  
RoHS Compliant

Time-lag Fuse Series (High Surge-proof, Enhanced-breaking Capacity)

5ETC0405

## 5ET / 5ETP - TIME CURRENT CHARACTERISTIC CURVE



Specifications subject to change without notice

NOTE - see important information under "User Guide" on P.08

### Corporate Office

**Bel Fuse Inc.**  
206 Van Vorst Street, Jersey City, NJ 07302  
Tel: 201-432-0463  
Fax: 201-432-9542  
E-Mail: [belfuse@belfuse.com](mailto:belfuse@belfuse.com)  
Website: [www.belfuse.com](http://www.belfuse.com)

### Far East Office

**Bel Fuse Ltd.**  
8F/8 Luk Hop Street  
San Po Kong  
Kowloon, Hong Kong  
Tel: 852-2328-5515  
Fax: 852-2352-3706

### European Office

**Bel Fuse Europe Ltd.**  
Preston Technology Management Centre  
Marsh Lane, Preston PR1 8UD  
Lancashire, U.K  
Tel: 44-1772-556601  
Fax: 44-1772-888366