

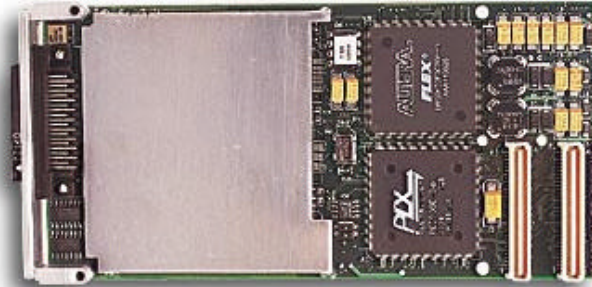
General Standards Corporation

High Performance Bus Interface Solutions

PMC-6SDI

16-Bit, 6-Channel Sigma-Delta Analog Input PMC Board

With 220 KSPS Sample Rate per Channel, and 2 Independent Clocks



Features Include:

- Sigma-Delta Conversion; No External Antialiasing Filters Required
- High Effective Sampling Rate; 64 Times the Effective Rate of Successive Approximation
- Converters Operating at the Same Conversion Rate
- Integral Antialiasing Input Filters Reject Out-of-Band Interference Components
- Completely Software Configurable; No Field Configuration Jumpers
- Six 16-Bit Analog Input Channels; Dedicated Sigma-Delta Converter per Channel
- Sample Rates Selectable from 5K to 220K Samples per Second per Channel
- Two Independent Sample-Rate Generators; Adjustable with 0.2 Percent Resolution
- Low Noise; Less than 60 μ VRMS on ± 1.25 Volt Input Range
- 64K-Sample FIFO Buffer. All Data is Channel-Tagged.
- Harmonic Sampling Supported, with Clocking Ratios Between Channels from 1 to 32
- Auto calibration Uses Hardware Correction; No missing Codes Introduced
- Integral Shield Assures Minimum Susceptibility to Radiated Noise in PMC Environments
- Single-width PMC Form Factor
- VxWorks™ and WinNT™ Drivers are available

Applications Include:

- | | | |
|----------------------------|-----------------------|------------------------------|
| ✓ Acoustics Analysis | ✓ Voltage Measurement | ✓ Automatic Test Equipment |
| ✓ Analog Inputs | ✓ Process Monitoring | ✓ Audio Waveform Analysis |
| ✓ Data Acquisition Systems | ✓ Industrial Robotics | ✓ Environmental Test Systems |

General Standards Corporation

8302A Whitesburg Drive • Huntsville, AL 35802

Phone: (256)880-8787 or (800)653-9970

FAX: (256)880-8788

Email: sales@generalstandards.com

General Standards Corporation

High Performance Bus Interface Solutions

Overview:

The 6-channel PMC-6SDI analog input board provides high-density precision 16-bit analog input resources in a single-width PMC form factor. Optimized for flexibility and performance, the board is ideal for a wide variety of applications, ranging from precision voltage measurements, to the analysis of complex audio signals and waveforms. Each of the six sigma-delta analog input channels can be controlled by either of two independent sample clocks, and multiple channels can be harmonically locked together. Sample rates are adjustable from 5 KSPS to 220 KSPS, and the input range is software selectable as $\pm 1.25V$, $\pm 2.5V$, $\pm 5V$ or $\pm 10V$. Internal auto calibration networks permit periodic calibration to be performed without removing the board from the system.

Functional Description:

A PCI interface adapter provides the interface between the controlling PCI bus and the internal local controller through a 32-bit local bus (Figure 1). Each of the six input channels contains an input buffer, an adaptive digital-image filter, and a dedicated sigma-delta A/D converter (ADC). The inputs can be configured for either differential or single-ended operation, or an internal voltage reference can be applied to all channels to support self-test operations and auto calibration. Gain and offset trimming of the input channels is performed by calibration DAC's that are loaded with channel correction values during auto calibration. The use of calibration DAC's eliminates the missing codes that occur when analog input channels are calibrated exclusively in the digital domain.

Each ADC contains a digital antialiasing filter that rejects out-of-band signals above approximately 48 percent of the selected sample rate. Lowpass analog input filters remove those interference signals that fall within the harmonic images of the digital filter, the first of which occurs at 64 times the sample rate.

Two independent sample-rate clock generators are individually adjustable from 8 MHz to 16 MHz, and are divided down within the local controller to provide individual channel sample rates from 5 KSPS to 220 KSPS. Conversion data from all active channels is transferred to the PCI bus through a 64K-sample data buffer that has a software-controlled threshold for generating interrupt requests.

Multiple channels can be synchronized to perform synchronous sampling, either by a software command, or by external hardware sync and clock input signals. Multiple boards can be daisy-chained together for synchronous operation from a common clock.

General Standards Corporation

8302A Whitesburg Drive · Huntsville, AL 35802

Phone: (256)880-8787 or (800)653-9970

FAX: (256)880-8788

Email: sales@generalstandards.com

General Standards Corporation

High Performance Bus Interface Solutions

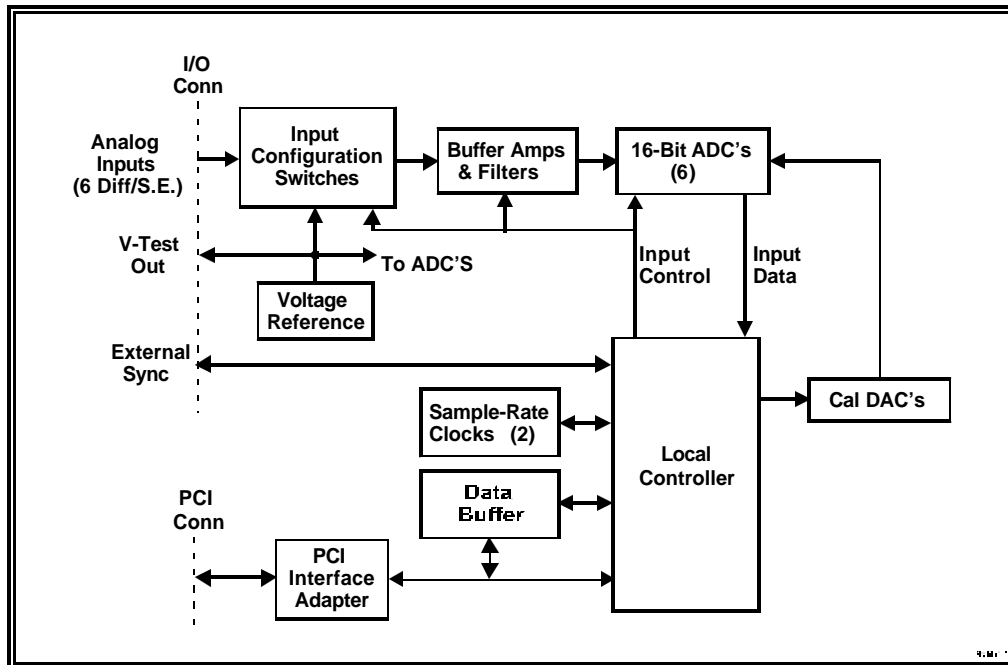


Figure 1. PMC-6SDI; Functional Organization

The board is functionally compatible with the IEEE PCI local bus specification Revision 2.1, and supports the "plug-n-play" initialization concept. System input/output connections are made at the front panel through a high-density 40-pin dual-ribbon connector. Power requirements consist of +5 VDC, in compliance with the PCI specification, and operation over the specified temperature range is achieved with conventional air cooling.

General Standards Corporation

8302A Whitesburg Drive · Huntsville, AL 35802

Phone: (256)880-8787 or (800)653-9970

FAX: (256)880-8788

Email: sales@generalstandards.com

General Standards Corporation

High Performance Bus Interface Solutions

ELECTRICAL SPECIFICATIONS

At +25 °C, with specified operating voltages.

□ Input Channel Characteristics:

Configuration:	6 input channels, software controlled as differential or single-ended. Optional 2-channel and 4-channel configurations available.
Voltage Range:	Software Configurable as ± 1.25 Volts, ± 2.5 Volts, ± 5 Volts or ± 10 Volts
Input Impedance:	1.0 Megohm typical, in parallel with 20 pF. 2 Megohms line-line.
Common Mode Rejection:	80 dB, DC-60 Hz (Differential mode)
Common Mode Range:	± 10 Volts with zero normal-mode input
Offset Voltage:	± 0.6 millivolts, maximum
Noise:	1.5LSB-RMS on all ranges, 10Hz-100KHz, typical.
Overvoltage Protection:	± 30 -Volt transient with power applied; ± 15 Volts with power removed

□ Transfer Characteristics:

Resolution:	16 Bits (0.0015 percent of FSR)															
Sample Rate:	5,000 to 220,000 samples per second per channel															
Oversampling Factor:	x64															
DC Accuracy: (Maximum composite error)	<table><thead><tr><th>Range</th><th>Midscale Accuracy</th><th>\pmFullscale Accuracy</th></tr></thead><tbody><tr><td>± 10V</td><td>± 1.2mv</td><td>± 5.2mv</td></tr><tr><td>± 5V</td><td>± 1.1mv</td><td>± 3.1mv</td></tr><tr><td>± 2.5V</td><td>± 0.9mv</td><td>± 2.2mv</td></tr><tr><td>± 1.25V</td><td>± 0.8mv</td><td>± 1.5mv</td></tr></tbody></table>	Range	Midscale Accuracy	\pm Fullscale Accuracy	± 10 V	± 1.2 mv	± 5.2 mv	± 5 V	± 1.1 mv	± 3.1 mv	± 2.5 V	± 0.9 mv	± 2.2 mv	± 1.25 V	± 0.8 mv	± 1.5 mv
Range	Midscale Accuracy	\pm Fullscale Accuracy														
± 10 V	± 1.2 mv	± 5.2 mv														
± 5 V	± 1.1 mv	± 3.1 mv														
± 2.5 V	± 0.9 mv	± 2.2 mv														
± 1.25 V	± 0.8 mv	± 1.5 mv														
Small Signal Bandwidth:	DC to approximately 48 percent of the selected sample rate															
Power Bandwidth:	DC to 2×10^6 Hz-Vpp minimum. Accepts 100kHz input at 20 VPP.															
Crosstalk Rejection:	84 dB typical, DC-10 kHz															
Antialias Filtering:	Each ADC provides internal digital antialias filtering at approximately 48 percent of the selected sample rate. This digital filter is supported by a multi-pole analog filter that rejects interference at the harmonic images of the digital filter. The cutoff frequency of the analog filter in each channel is optimized automatically in response to the selected sample rate.															
Integral Nonlinearity:	± 0.003 percent of FSR, typical															
Differential Nonlinearity:	± 0.0015 percent of FSR, maximum															
Total Harmonic Distortion:	84 dB typical, from DC to 40 percent of sample rate															

General Standards Corporation

8302A Whitesburg Drive · Huntsville, AL 35802

Phone: (256)880-8787 or (800)653-9970

FAX: (256)880-8788

Email: sales@generalstandards.com

General Standards Corporation

High Performance Bus Interface Solutions

□ Operating Modes and Controls

- Organization:** Two 3-channel analog input groups, and two sample rate generators. Each channel group can operate from either rate generator. The sample rate for each individual channel is selected by dividing the frequency of the assigned rate generator by any integer from 1 through 32.
- Sample Rate Generators:** Two independent internal rate generators, each adjustable from 16-32 MHz, are divided by 128 to provide two independent sample rate sources. Subsequent division by an integer from 1 to 32 for each channel provides sample rates from 3.9 KSPS to 250 KSPS. (Specified performance is guaranteed only within the range from 5 KSPS to 220 KSPS). Settling time when changing frequencies is approximately 20 ms, and settling completion is selectable as an interrupt event. Setting resolution is 0.2 percent or less, and setting accuracy is ± 0.08 percent.
- External Clock I/O:** An LVDS hardware output clock can be derived either from a 16-32 MHz LVDS external hardware input clock or from an internal rate generator. The external clock input can be selected as the rate generator for any or all channels. .
- Multiple boards can be locked to a common clock by daisy-chaining the output clock from each board to the input clock of the next board in the chain. This requires a split I/O cable. As many as eight boards can be daisy-chained together.
- Synchronization:** Sampling can be synchronized within each channel group through software, or each group can be synchronized to an external LVDS hardware sync input. By using the daisy-chain configuration described for External Clock I/O, hardware sync inputs and outputs can be used to synchronize the sampling among multiple boards.
- Harmonic Sampling:** Harmonic sampling ratios are implemented by adjusting the sample rates of channels within a group to specific fractions of the assigned rate generator frequency. (See Sample Rate Generators).
- Data Format:** Software selected as either offset binary or two's complement
- Channel Tags:** Each input data value is appended with a 2-bit channel identification tag.
- Buffer Size Register:** Contains the total number of samples present in the input data buffer.
- Buffer Threshold Flags:** A threshold flag is asserted when the number of samples in the input data buffer equals or exceeds the selected threshold. The buffer threshold can be any integer from 0000 to FFFEh.

General Standards Corporation

8302A Whitesburg Drive · Huntsville, AL 35802

Phone: (256)880-8787 or (800)653-9970

FAX: (256)880-8788

Email: sales@generalstandards.com

General Standards Corporation

High Performance Bus Interface Solutions

AUTOCALIBRATION

During auto calibration, all input channels are calibrated to a precision internal voltage reference. Auto calibration occurs automatically during initialization, and can be invoked at any time after initialization by asserting a single control bit. Once initiated, auto calibration runs to completion without further involvement of the host, and has a duration of approximately 2-5 seconds. Completion of auto calibration is selectable as an interrupt event.

PCI INTERFACE

- ❑ **Compatibility:** Conforms to PCI Specification 2.1, with D32 read/write transactions.
Supports "plug-n-play" initialization.
Provides a single multifunction interrupt.
Supports FIFO DMA transfers as bus master.

- ❑ **Board Control and Data Registers (D32 Access)**

Board Control/Status Register:	Determines the principal operating mode.
Rate Generator Registers:	Select rate generator frequencies.
Channel Control Registers:	Control the clock sources and sample rates for all input channels.
Input Data Buffer:	64K by 18-Bit FIFO buffer.
Buffer Threshold:	Selects the input data buffer threshold.
Interrupt Control:	Interrupt source control and status.

- ❑ **Analog Input Buffer**

Analog input data is read through a 64K-sample FIFO buffer as a 19-Bit data field for each input sample. The data field contains a 16-Bit conversion value and a 2-Bit channel tag. A threshold flag occurs when the associated buffer contains a number of data samples that exceeds a software-selected threshold from 0000h to FFFEh, and can be used to generate empty and full flags.

General Standards Corporation

8302A Whitesburg Drive · Huntsville, AL 35802

Phone: (256)880-8787 or (800)653-9970

FAX: (256)880-8788

Email: sales@generalstandards.com

General Standards Corporation

High Performance Bus Interface Solutions

MECHANICAL AND ENVIRONMENTAL SPECIFICATIONS

❑ Power Requirements

+5VDC \pm 0.2 VDC at 1.5 Amps

Power Dissipation: 6.0 Watts, Side 1

1.5 Watts, Side 2

❑ Physical Characteristics

Height: 13.5 mm (0.53 in)

Depth: 149.0 mm (5.87 in)

Width: 74.0 mm (2.91 in)

Shield: Side 1 is protected by an EMI shield.

❑ Environmental Specifications

Ambient Temperature Range: Operating: 0 to +55 degrees Celsius
Storage: -40 to +85 degrees Celsius

Relative Humidity: Operating: 0 to 80%, non-condensing
Storage: 0 to 95%, non-condensing

Altitude: Operation to 10,000 ft.

❑ Cooling Requirements

Conventional air cooling; 200 LPFM (typical mezzanine environment).

ORDERING INFORMATION

Specify the basic product model number (PMC-6SDI), followed by an option suffix "-A", as indicated below. For example, model number PMC-6SDI-6 describes a board with 6 input channels.

Optional Parameter	Value	Specify Option As:
Number of Input Channels:	2 Channels	A = 0
	4 Channels	A = 1
	6 Channels	A = 2

General Standards Corporation

8302A Whitesburg Drive · Huntsville, AL 35802

Phone: (256)880-8787 or (800)653-9970

FAX: (256)880-8788

Email: sales@generalstandards.com

General Standards Corporation

High Performance Bus Interface Solutions

SYSTEM I/O CONNECTIONS

Table 1. System Connector Pin Functions

P5, ROW-A (Cable-A)		P5, ROW-B (Cable-B)	
PIN	SIGNAL	PIN	SIGNAL
1	CLOCK INPUT LO	1	CLOCK OUTPUT LO
2	CLOCK INPUT HI	2	CLOCK OUTPUT HI
3	DIGITAL RETURN	3	DIGITAL RETURN
4	DIGITAL RETURN	4	DIGITAL RETURN
5	SYNC INPUT LO	5	SYNC OUTPUT LO
6	SYNC INPUT HI	6	SYNC OUTPUT HI
7	VTEST RETURN	7	INPUT RETURN
8	VTEST OUTPUT	8	INPUT RETURN
9	INPUT CHAN 02 LO	9	INPUT CHAN 05 LO
10	INPUT CHAN 02 HI	10	INPUT CHAN 05 HI
11	INPUT RETURN	11	INPUT RETURN
12	INPUT RETURN	12	INPUT RETURN
13	INPUT CHAN 01 LO	13	INPUT CHAN 04 LO
14	INPUT CHAN 01 HI	14	INPUT CHAN 04 HI
15	INPUT RETURN	15	INPUT RETURN
16	INPUT RETURN	16	INPUT RETURN
17	INPUT CHAN 00 LO	17	INPUT CHAN 03 LO
18	INPUT CHAN 00 HI	18	INPUT CHAN 03 HI
19	INPUT RETURN	19	INPUT RETURN
20	INPUT RETURN	20	INPUT RETURN

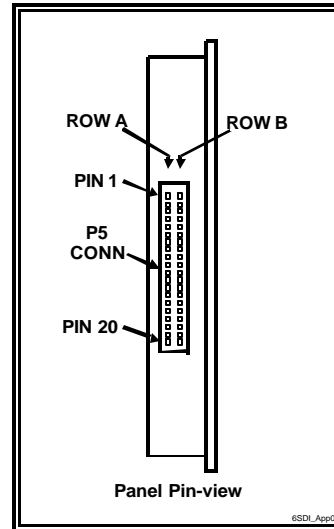


Figure 2. System Input/Output Connector

System Mating Connector:
 Robinson Nugent # P50E-040-S-TG
 or equivalent.

General Standards Corp.
 8302A Whitesburg Drive
 Huntsville, AL 35802

General Standards Corporation assumes no responsibility for the use of any circuits in this product. No circuit patent licenses are implied. Information included herein supersedes previously published specifications on this product and is subject to change without notice.