

PPC-L106T

10.4" Fanless Panel PC with AMD Geode™ LX 800 (500 MHz) Processor



Features

- 10.4" TFT LCD
- AMD Geode™ LX 800 (500 MHz) CPU on board
- System memory up to 1 GB SDRAM (256 MB default built-in)
- One CompactFlash® Type I/II socket (True IDE Mode)
- 10/100 Mbps Ethernet or Dual LAN (Optional)
- Fanless and ultra-low power consumption
- Optional PCI/ISA expansion kit
- Automatic data flow control over RS-485

Introduction

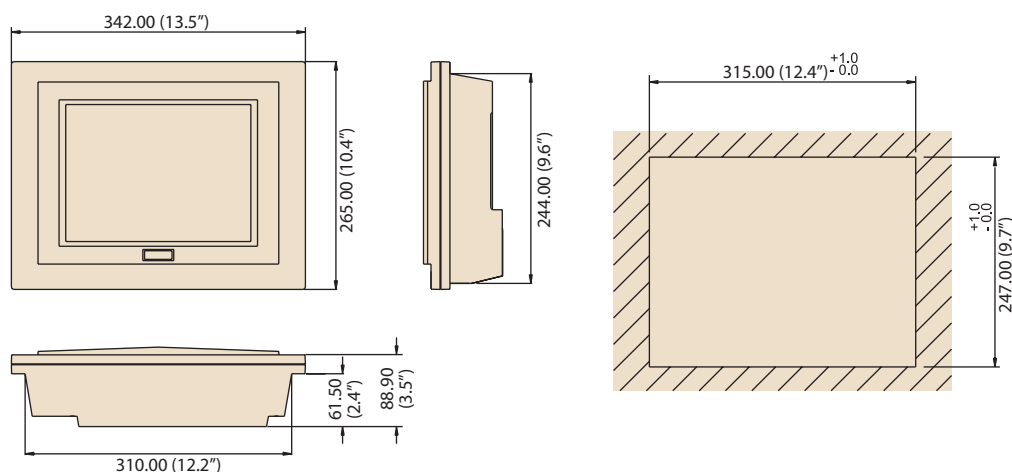
PPC-L106T fanless Panel PC supports the low power AMD Geode LX 800 (500 MHz) processor. It is a powerful and compact Panel PC, ideally suited for operator interface (HMI) applications. Its 10.4" 800 x 600 display, 1 GB SDRAM capacity and auto-sensing 10/100 Mbps Ethernet controller make it the ideal choice for many applications. It is great, for example, for thin clients, health care and other networked environments, and of course traditional process control in industrial automation.

Specifications

Processor System	CPU	Onboard AMD Geode LX 800 (500 MHz)
	Memory	1 x 200-pin SODIMM socket that accepts a 256/512/1204 MB Standard is built-in 256 MB
	Chipset	AMD Geode CX5536
	BIOS	4 Mbit Flash BIOS
	SSD	1 x Type II CompactFlash, build in 64MB in PPC-L106T-CE-RTE
	HDD	1 x internal IDE interface, 2.5" drive
	Watchdog Timer	255 timer levels; setup by software
	Bus Expansion	1 x optional PCI/ISA expansion kit 1 x Mini PCI socket
	Dimensions (W x H x D)	342 x 265 x 92.4 mm (13.5" x 10.4" x 3.64")
Weight	3.2 kg (7.1 lbs)	
OS Support	Microsoft	Windows XPe, CE, XP
I/O Ports	Serial Ports	2 x RS-232, 1 x RS-232/422/485 (COM 2), COM4 has been reserved for touchscreen
	Parallel Ports	1 x SPP/EPP/ECP port
	Keyboard/Mouse Ports	PS/2 interface
	VGA	Supports simultaneous CRT displays
	Sound	Mic-in/Line-out
	Ethernet	10/100 Mbps, Dual LAN (Optional)
	USB Ports	2 external USB 2.0, 2 internal USB 2.0
LCD Display	LCD Type	10.4" color TFT LCD
	Resolution/Colors	800 x 600 @ 262 K
	Pixel Pitch (mm)	0.264 x 0.264
	Luminance (cd/m ²)	230
	Viewing Angle	140 /120
	VR Adjustment	Yes
	Simultaneous Mode	Yes
Backlight MTBF	30,000 (TYP)	
Power Supply	Output Rating	65 W
	Input Voltage	100 ~ 240 V _{AC} @ 50/60 Hz, autoranging
	Output Voltage	+5 V @ 3.5 A, +12 V @ 4 A
Touchscreen (optional)	Type	Analog resistive, continuous resolution
	Light Transmission	80%
	Controller	RS-232 interface (COM 4) Optional USB interface
	Software Driver	Supports Windows XP, CE
	Durability (Touches)	35 million

Dimensions

Unit: mm



Specifications

Environmental Specifications	Operating Temperature	0 ~ 45° C (32 ~ 113° F)
	Relative Humidity	10 ~ 95% @ 40° C (non-condensing)
	Shock (Operating)	10 G peak acceleration (11 ms. duration)
	EMC	CE, FCC Class B, BSMI
	Safety	CE, 3C, BSMI
	Front Panel Protection	IP65/NEMA 4 compliant
	Vibration	1 G

Ordering Information

Part No.	Description
PPC-L106T-070-XE	AMD Geode LX 800 500 MHz processor-based fanless Panel PC with 10.4 TFT LCD (Built-in 256 MB DRAM)
PPC-L106T-R70-XE	PPC-L106T-070-XE with resistive touchscreen
PPC-L106T-CE-RTE	PPC-L106T with Windows CE.NET (English) on 64 MB CompactFlash
PPC-ARM-A03	VESA Standard ARM for PPC series
PPC-174T-WL-MTE	Wall mount kit for PPC series
PPC-EXP-L106	PCI/ISA expansion kit for PPC-L106T
989KL12709E	Wireless LAN module for PPC-L127, PPC-L106
1702002600	Power Cable UL/CSA (USA) 180D 125V10A 1.83M
1702002605	Power Cable 90D 220VEUROPEAN 250V/6A (FRANCE)1.8M
9898007100E	2.5" IDE to SATA HDD Converter Board

Feature Details

Various applications

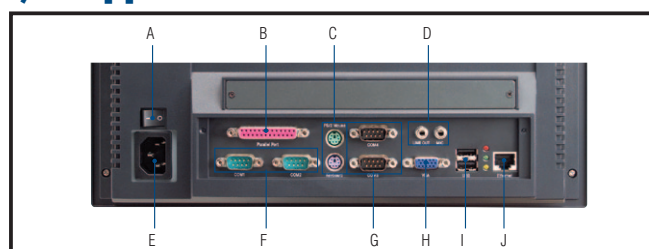
PPC-L106T's back panel I/O and integrated all-in-one single board computer make it the ideal choice to control a dedicated system in a wide variety of applications. Applications include:

- Control or data entry operator interfaces
- Information management and retrieval terminals
- Entertainment management systems
- Point of sale (POS) terminals
- Banking/office automation

Slim and compact

The PPC-L106T is the most versatile 10.4" LCD PC available. The slim chassis fits anywhere and can be mounted in several different configurations. It can be panel mounted, wall mounted or placed upright on a desktop. Integrating the PPC-L106T into a custom system is made simple through its open-system design and comprehensive back panel I/O interface.

I/O Appearance



- | | |
|--------------------------|-------------------|
| A. Power switch | F. COM ports |
| B. Parallel port | G. COM ports |
| C. PS/2 mouse & keyboard | H. VGA port |
| D. Mic-in/Line-out | I. USB ports V2.0 |
| E. AC inlet | J. Ethernet |