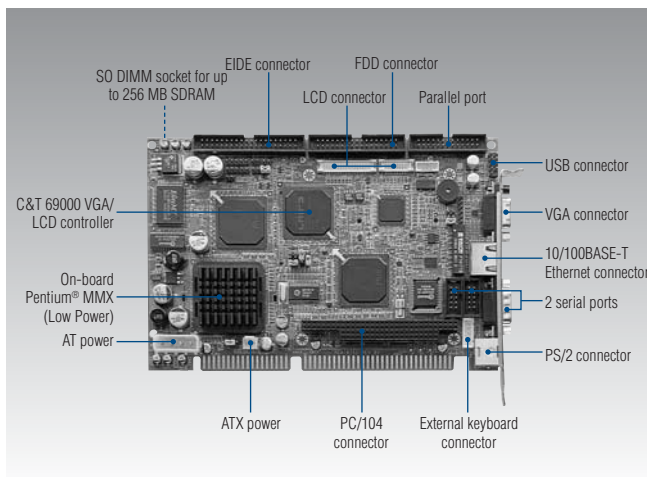


# PCA-6751

ISA Tillamock Slot SBC. 266MHz CPU/VGA/  
LCD/LAN/CFC and PC/104



## Specifications

- **CPU** On board Low Power Pentium® MMX, 266MHz
- **System Memory** SDRAM SODIMM x 2, Max. 256 MB
- **2nd Cache Memory** 512KB PB SRAM
- **System Chipset** Intel® 430TX
- **BIOS** AWARD 256KB Flash BIOS
- **SSD** Support CompactFlash™ Card
- **Watchdog Timer** 1 ~ 62 Sec, System reset or IRQ11
- **Expansion Interface** 1x 16-bit ISA slot, 1x PC/104 connector
- **Battery** Lithium 3V/196 mAH

### I/O

- **MIO** 1 x EIDE (Ultra DMA33), 1 x FDD, 1 x K/B, 1 x Mouse, 1 x RS-232/422/485, 1 x RS-232, 1 x LPT
- **IrDA** 115Kbps SIR, IrDA 1.0 compliant
- **Ethernet** 10/100 BASE-T(PCA-6751 only), on-board RJ45 connector
- **USB** 2 USB port, USB 1.1 compliant

### Ethernet

- **Chipset** Intel® 82559 (PCA-6751-F1B2, PCA-6751CE-001) RTL-8139C (PCA-6751-F0B2);
- **Connection** on-board RJ-45
- **Boot ROM** Built-in system (optional)
- **I/O address swichless setting**

## Features

- Low power 266 MHz Pentium® CPU
- On board PCI SVGA VGA/LCD display
- Supports CompactFlash™ SSD solution
- Superior low power consumption, requires no CPU cooling fan
- 10/100 Mbps Ethernet

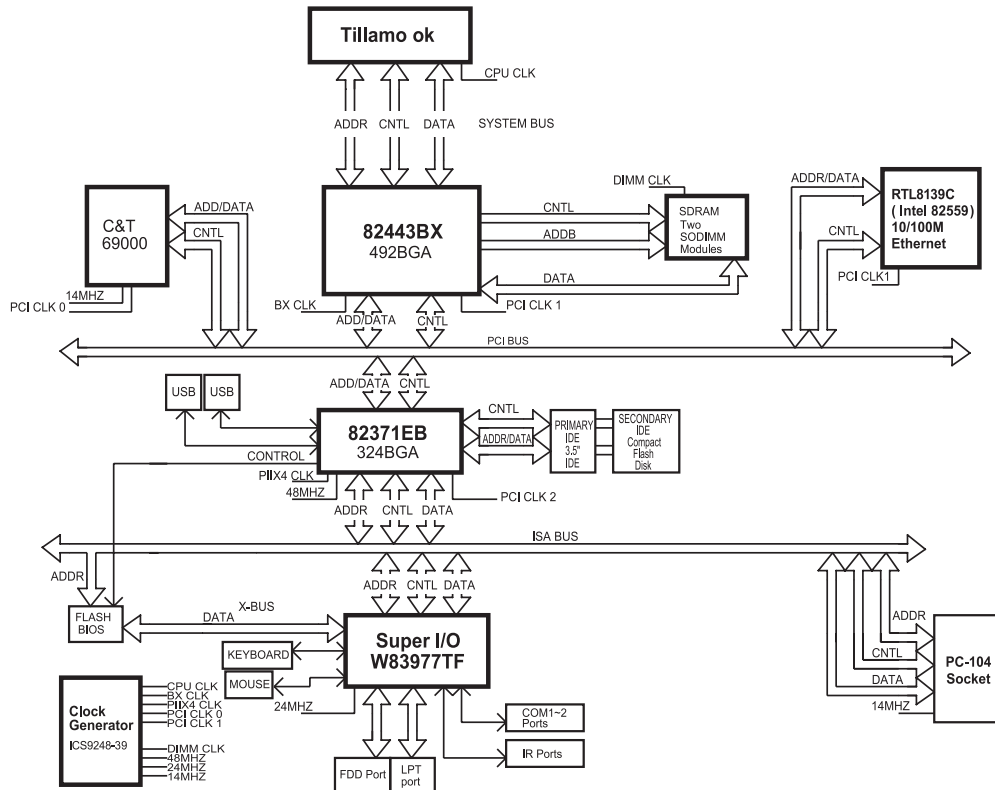
### Display

- **Chipset** Asilant (C&T) 69000
- **Memory Size** 2 MB (Optional 4 MB with 69030)
- **Resolution** 1280 x 1024 @ 8 bpp, 1024 x 768 @ 16 bpp, 800 x 600 @ 24 bpp
- **LCD Interface** Up to 36-bit TTL for Mono/STN/TFT LCD

### Mechanical and Environmental

- **Dimensions (L x W)** 185 x 122 mm (7.3" x 4.8")
- **Power Supply Voltage** +5 V ± 5%
- **Power Requirements** Max : 5 V @ 5 A  
Typical : 5 V @ 2.5 A (128 MB DRAM)
- **Operating Temperature** 0~70° C(32~158° F), operation
- **Operating Humidity** 0%~90% relative humidity, non-condensing

## Board Diagram



- 1 System on Module Solutions
- 2 Single Board Computers and Accessories
- 3 PC/104 Modules
- 4 Slot CPU Cards and Accessories
- 5 AIMB/POS Control Boards
- 6 Internet Security Platforms
- 7 Embedded Software
- 8 Appx

## Packing List

- PCA- 6751 SBC
- Y cable for PS/2 Keyboard, PS/2 Mouse (p/n:1700060202)
- E-IDE (HDD) Cable (500mm) (p/n:1701400601)
- FDD Cable (290mm) (p/n:1701340700)
- COM2, Parallel port cable kit (p/n:1701260303)
- ATX/AT power cable (p/n:1700000450)
- ATX/AT power cable converter (p/n:1700040052)
- Mini Jumper (p/n:1653300100)
- Startup manual
- Utility CD

## Ordering Information

- PCA-6751-F0B2 ISA Tillamock Slot SBC. P266/ VGA/LCD/Fast Ethernet (8139)/CFC/PC104
- PCA-6751-F1B2 ISA Tillamock Slot SBC. P266/ VGA/LCD/Fast Ethernet (82559)/CFC/PC104
- PCA-6751V-F0B2 ISA Tillamock Slot SBC. P266/ VGA/LCD/CFC/PC104
- PCA-6751Z-F1B2 PCA-6751-F1B2 Phoenix operation (Gold package)
- PCA-6751Z2-F1B2 PCA-6751-F1B2 Phoenix operation (Platinum package)

### Optional accessories

- MBPC-641 4-slot IPC chassis w/backplane & 65W power supply
- IPC-644-80 4-slot IPC chassis w/backplane& 80W power supply
- IPC-6806S 6-slot IPC chassis w/backplane & 100W power supply
- PCA-6114-B 14-slot ISA passive backplane
- PCA-6108-OB1 8-slot ISA passive backplane
- PCA-6106-B 6-slot ISA passive backplane
- PCA-6104-OC1 4-slot ISA passive backplane
- 1700100170 USB cable adapter (2.54 mm)
- 9689000042 IrDA adapter
- CF-HDD-ADP CompactFlash™ 50-pin to IDE 44-pin adapter