



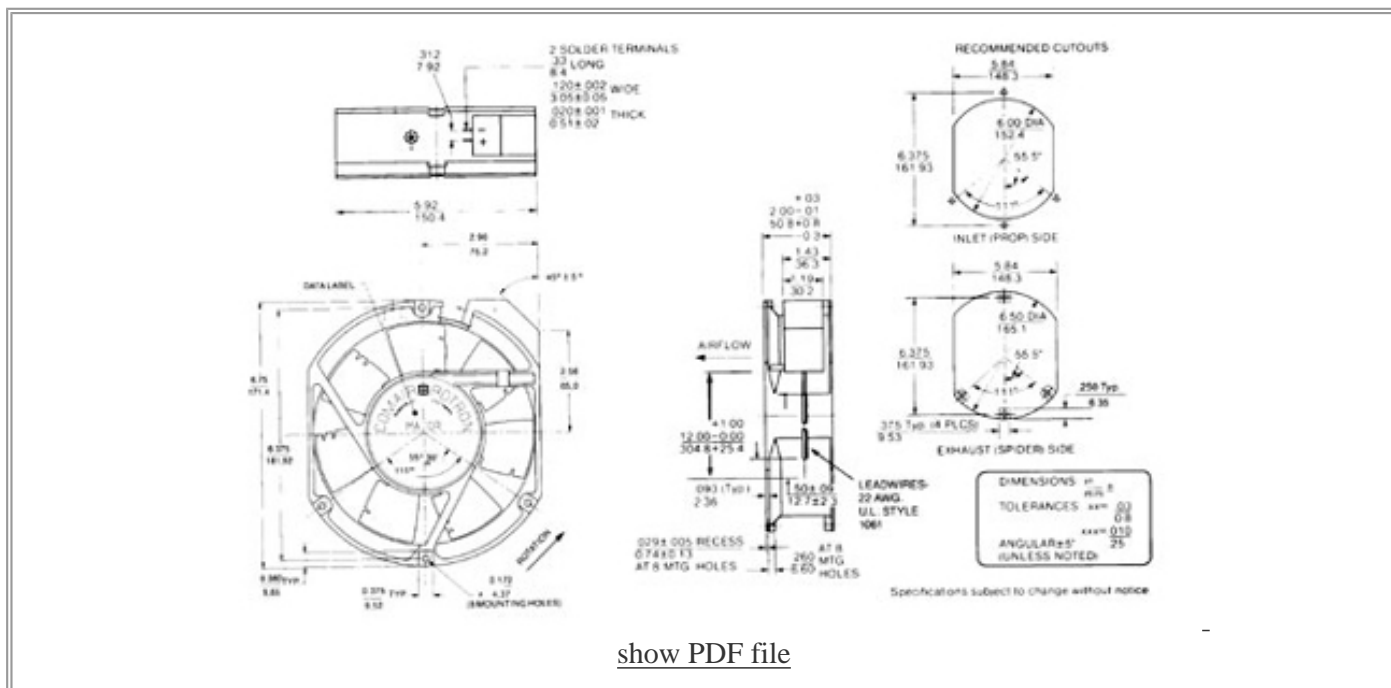
## Major DC (DC Fan)

COMAIR ROTRON PART NUMBER: **031091**  
 COMAIR ROTRON MODEL NUMBER: **JQ48B4**



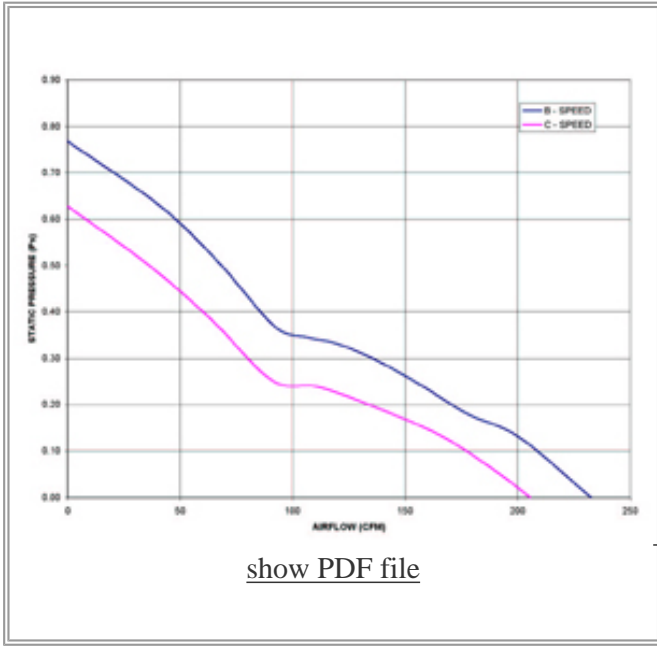
MOTOR	
Rated Voltage:	48
Operating Voltage Range:	24 - 56
Running Current: 50Hz   60Hz (amps)	
Locked Rotor Current: (amps)	1
Rated Power: 50Hz   60Hz (watts)	
Nominal Speed: 50Hz   60Hz (rpm)	

MECHANICAL	
Dimensions:	172mm x 150mm x 51mm (6.75in x 5.92in x 2.00in)
Bearing Type:	Ball
Motor Base:	Metal
Propeller:	Polycarbonate







[show PDF file](#)

### NOTES



PERFORMANCE CHARACTERISTICS	
Air Flow: (CFM)	235
Static Pressure:	.795

TERMINATION	
Leadwires:	Terminals

SAFETY			
			

All product names are used under license and are trademarks or registered trademarks of Comair Rotron, Inc.

[New Search](#)