

Description:

The EI57 UL regulated desktop series is a single DC output, linear adapter. It has a maximum output power up to 27W, the maximum output current up to 3.0A, the output voltage is from 3V to 36V.

Model available:

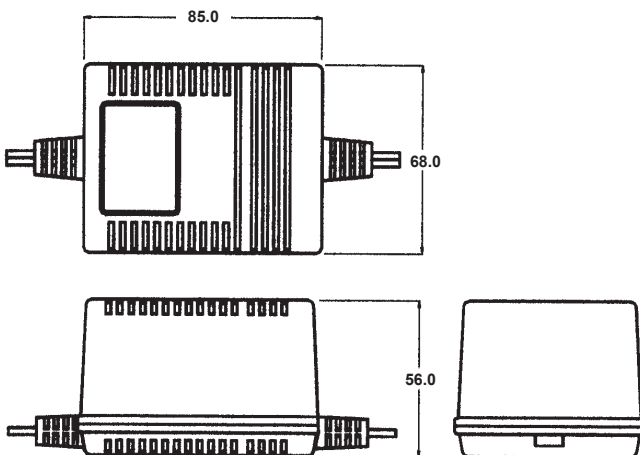
- DND-0315-R ~ DND-2405-R (total 11 models)

General Specifications:

Input voltage 120VAC +6% -10%
 Input frequency 57Hz to 63Hz
 Outputs see output table
 Output voltage $\pm 5\%$ at nominal output power
 Ripple noise $< 2\%$ at nominal output
 Positive protection of short circuit and over heat protection

Leakage current $< 0.25\text{mA}$
 Thermal protection positive thermal cutoff
 Operating temperature 0°C to 40°C
 Storage temperature -40°C to $+85^{\circ}\text{C}$
 Altitude will operate properly at any altitude
 between 0 to 10000 ft.
 Safety UL 1950, CUL
 UL file No. E193755

Mechanical Specifications:



Notes:

1. Dimensions show in mm (inch) as left.
Tolerance specified is $\pm 2\text{mm}$ (Excluding cables).
2. Size: 85 X 68 X 56 (mm)
3.35 X 2.68 X 2.2 (inch)
3. Connectors:
AC input : America 2 pin, Desktop type
DC output : 6ft output cord



THE RELIABLE SOURCE

Linear Adapter (120V only)

EI57 UL
Regulated Desktop Series

Output Specifications:

MODEL NO.	OUTPUT (VDC)	LOAD (A)	POWER (W)
DND-0315-R	3	1.5	4.5
DND-0515-R	5	1.5	7.5
DND-0615-R	6	1.5	9
DND-0715-R1	7.5	1.5	11.25
DND-0812-R	8	1.2	9.6
DND-0912-R	9	1.2	10.8

MODEL NO.	OUTPUT (VDC)	LOAD (A)	POWER (W)
DND-1210-R	12	1	12
DND-1508-R	15	0.8	12
DND-1806-R	18	0.6	10.8
DND-2006-R	20	0.6	12
DND-2405-R	24	0.5	12